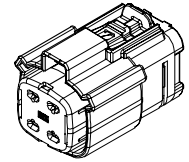
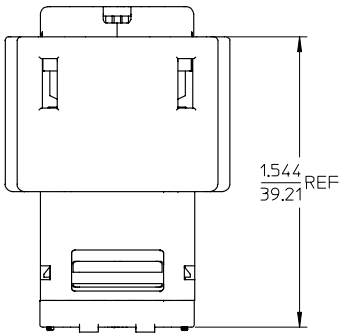
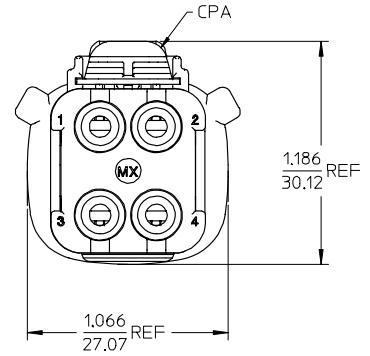
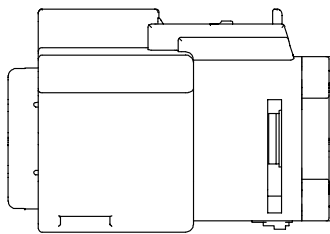
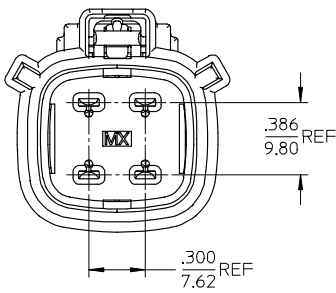


10 9 8 7 6 5 4 3 2 19432



194320001	10-12	YES
194320002	8	
194320003	10-12	NO
194320004	8	
MATERIAL NUMBER	UL WIRE AWG	CPA

PRODUCT RELEASE EC NO: ETC2005-0069 DRAWN BY: B.RUPERT 2004/10/25 CHECKED BY: JPAWLICK 2004/10/25 APPROVED BY: R.DEROSS 2004/10/25 REV 1	QUALITY SYMBOLS	GENERAL TOLERANCES (UNLESS SPECIFIED)	DIMENSION STYLE	SCALE	DESIGN UNITS	THIRD ANGLE PROJECTION
	▽=0 ∇=0	mm INCH 4 PLACES ± --- ± --- 3 PLACES ± --- ± .015 2 PLACES ± 0.38 ± --- 1 PLACE ± --- ± --- ANGULAR ± 1°	IN/MM	2:1	INCH	☉ THIRD ANGLE PROJECTION
	DRAWN BY	DATE	TITLE	4 WAY RECEPTACLE ASSEMBLY		
	B.RUPERT	04/09/29				
CHECKED BY	DATE	MOLEX INCORPORATED				
JPAWLICK	04/09/29	SD-19432-002				
APPROVED BY	DATE	SEE CHART				
R.DEROSS	04/09/29	THIS DRAWING CONTAINS INFORMATION THAT IS PROPRIETARY TO MOLEX INCORPORATED AND SHOULD NOT BE USED WITHOUT WRITTEN PERMISSION				
MATERIAL NO.	DOCUMENT NO.	SHEET NO.			1 OF 1	
SEE CHART	SD-19432-002					

- NOTES:
- ASSEMBLY PACKAGED PER PK-19432-001
 - USE CONNECTOR WITH FEMALE CRIMP TERMINAL: SERIES 19434.

1b_frame_B_P_AM.T
Rev. D 2004/06/28

9 8 7 6 5 4 3 2 1