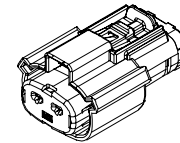
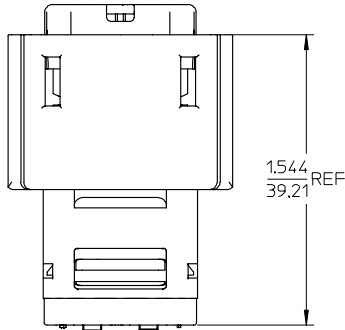
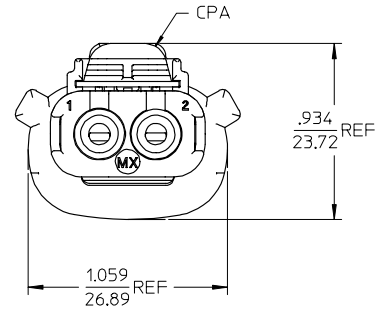
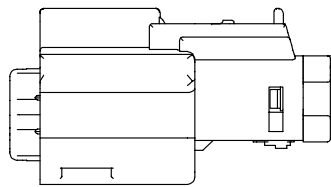
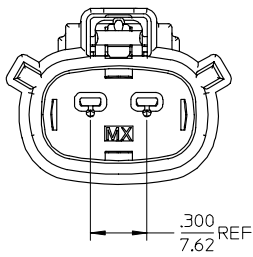


10 9 8 7 6 5 4 3 2 19432



194320013	10-12	YES
194320014	8	
194320015	10-12	NO
194320016	8	
MATERIAL NUMBER	UL WIRE AWG	CPA

<b>PRODUCT RELEASE</b> EC NO: ETC2005-0069 DRAWN BY: B. RUPERT 2004/10/25 CHECKED BY: JPAWLICK 2004/10/25 APPROVED BY: R. DEROSS 2004/10/25 REV 1	<b>QUALITY SYMBOLS</b> ▽=0 ∇=0	<b>GENERAL TOLERANCES (UNLESS SPECIFIED)</b>		<b>DIMENSION STYLE</b> IN/MM		SCALE 2:1	DESIGN UNITS INCH	THIRD ANGLE PROJECTION	
		4 PLACES ± --- ± ---	mm	INCH	DRAWN BY B. RUPERT	DATE 04/09/29	TITLE 2 WAY RECEPTACLE ASSEMBLY  MOLEX INCORPORATED  MATERIAL NO. SEE CHART DOCUMENT NO. SD-19432-001		
		3 PLACES ± --- ± .015			CHECKED BY JPAWLICK	DATE 04/09/29			
		2 PLACES ± 0.38 ± ---			APPROVED BY R. DEROSS	DATE 04/09/29			
1 PLACE ± --- ± ---			ANGULAR ± 1 °						
DRAFT WHERE APPLICABLE MUST REMAIN WITHIN DIMENSIONS				SIZE B	THIS DRAWING CONTAINS INFORMATION THAT IS PROPRIETARY TO MOLEX INCORPORATED AND SHOULD NOT BE USED WITHOUT WRITTEN PERMISSION				

- NOTES:
- ASSEMBLY PACKAGED PER PK-19432-001
  - USE CONNECTOR WITH FEMALE CRIMP TERMINAL: SERIES 19434.

9 8 7 6 5 4 3 2 1