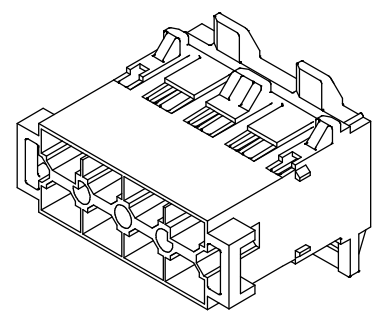
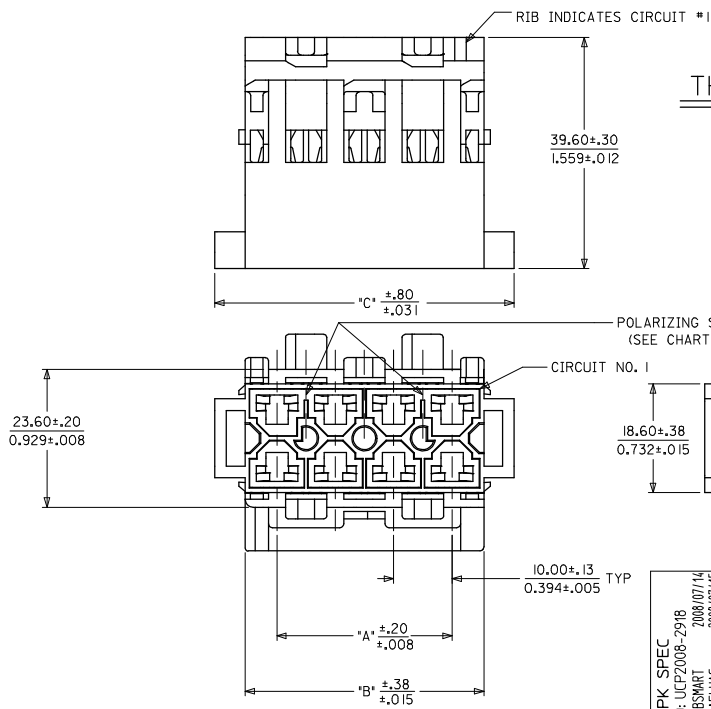


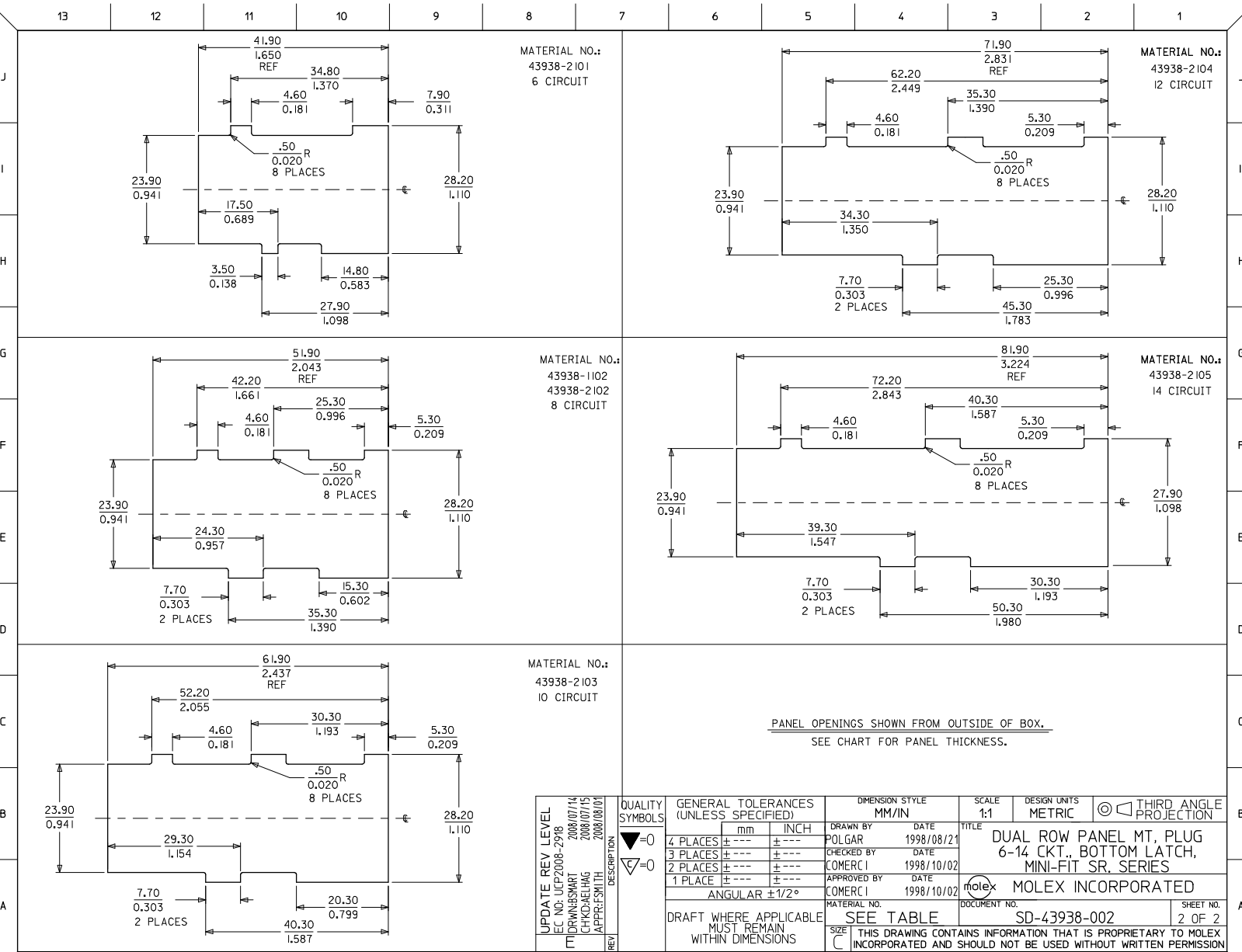
MATERIAL NUMBER	POSITION NUMBER	DIM. 'A'	DIM. 'B'	DIM. 'C'	QUANTITY OF POLARIZING SLOTS	PANEL THICKNESS ACCOMMODATED
43938-2101	6	20.00 .787	30.90 1.216	41.30 1.626	1	1.80/2.00 .071/.079
43938-2102	8	30.00 1.181	40.90 1.610	51.30 2.020	2	
43938-2103	10	40.00 1.575	50.90 2.004	61.30 2.413	2	
43938-2104	12	50.00 1.968	60.90 2.398	71.30 2.807	2	
43938-2105	14	60.00 2.362	70.90 2.791	81.30 3.201	2	

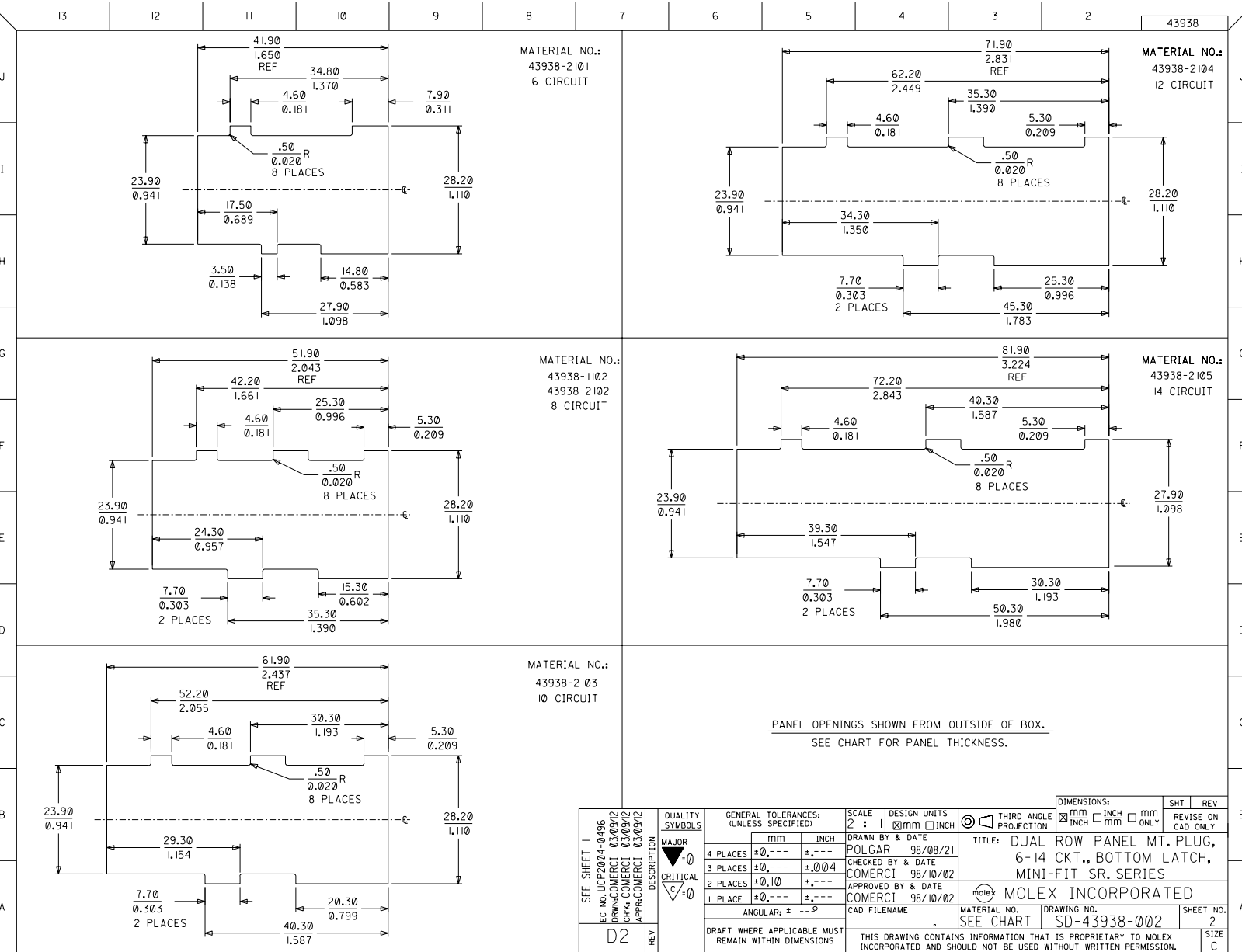
- NOTES:
- MATERIAL: UNFILLED POLYESTER, UL, 94V-0, COLOR: BLACK
  - FINISH: NONE
  - PRODUCT SPECIFICATION: PS-42815-001
  - FOR PACKAGING INFORMATION SEE PK-45286-002.
  - THIS PART IS DESIGNED TO USE MALE CRIMP TERMINAL #42817.
  - EACH WIRE MUST BE DRESSED SUCH THAT THE TERMINAL MAINTAINS ITS FREE FLOAT WITHIN THE HOUSING.
  - THIS PART IS DESIGNED TO USE T.P.A. #43980.
  - THIS PART IS DESIGNED TO MATE WITH RECEPTACLE HOUSING #43914.
  - SEE SHEET 2 FOR PANEL CUT-OUT DETAILS.
  - POLARIZING SLOTS TO BE LOCATED BETWEEN CIRCUITS ON EITHER END OF HOUSING OF THE CIRCUIT 1 ROW AS SHOWN.  
EXCEPTION: THE 6 CIRCUIT HOUSING WILL HAVE A SINGLE SLOT ON THE CIRCUIT 1 END ONLY.

THIS PRODUCT MUST NOT BE USED WITHOUT THE T.P.A.



CHG PK SPEC EC NO. ICF2008-2918 M DRWNGS PART 2008/07/14 CHKD: AELHAG 2008/07/15 APPR: SMITH 2008/08/01	QUALITY SYMBOLS ▽=0 ▽=0	GENERAL TOLERANCES (UNLESS SPECIFIED)		DIMENSION STYLE	SCALE	DESIGN UNITS	THIRD ANGLE PROJECTION	
				MM/IN				
				DRAWN BY	DATE	TITLE		
				CHECKED BY	DATE			
		ANGULAR ±1/2°		APPROVED BY	DATE			
		DRAFT WHERE APPLICABLE MUST REMAIN WITHIN DIMENSIONS		COMERC I	1998/10/02	MOLEX INCORPORATED		
				MATERIAL NO.	DOCUMENT NO.	SHEET NO.		
				SEE TABLE	SD-43938-002	1 OF 2		
				THIS DRAWING CONTAINS INFORMATION THAT IS PROPRIETARY TO MOLEX INCORPORATED AND SHOULD NOT BE USED WITHOUT WRITTEN PERMISSION				





SEE SHEET 1 EC NO. LCP2004-0496 DRW: COMERC 03/09/02 CHK: COMERC 03/09/02 APPR: COMERC 03/09/02	QUALITY SYMBOLS MAJOR CRITICAL	GENERAL TOLERANCES: (UNLESS SPECIFIED)	SCALE 2 : 1	DESIGN UNITS mm □ INCH	THIRD ANGLE PROJECTION	DIMENSIONS: mm □ INCH mm ONLY	SHT	REV	
		4 PLACES ±0.--- ±.--- 3 PLACES ±0.--- ±0.04 2 PLACES ±0.10 ±.--- 1 PLACE ±0.--- ±.--- ANGULAR: ± --.0	DRAWN BY & DATE POLGAR 98/08/21	CHECKED BY & DATE COMERC 98/10/02	APPROVED BY & DATE COMERC 98/10/02	TITLE: DUAL ROW PANEL MT. PLUG, 6-14 CKT., BOTTOM LATCH, MINI-FIT SR. SERIES	MATERIAL NO. SEE CHART	DRAWING NO. SD-43938-002	SHEET NO. 2
D2	REV	DRAFT WHERE APPLICABLE MUST REMAIN WITHIN DIMENSIONS		THIS DRAWING CONTAINS INFORMATION THAT IS PROPRIETARY TO MOLEX INCORPORATED AND SHOULD NOT BE USED WITHOUT WRITTEN PERMISSION.					