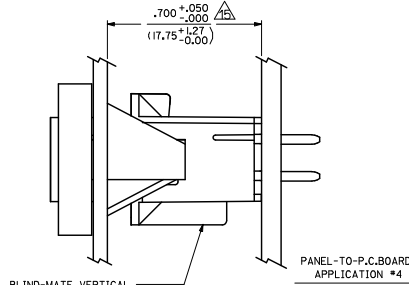
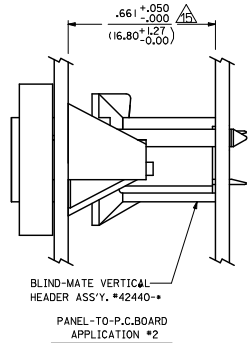
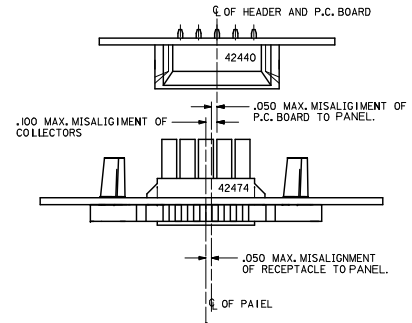
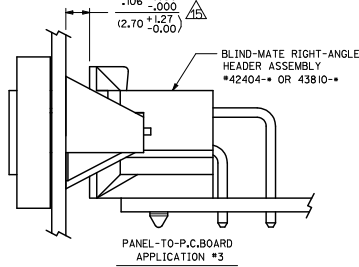
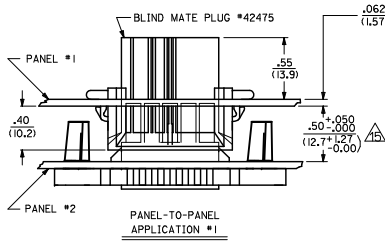


CKT. SIZE	DIM. 'A'	DIM. 'B'	DIM. 'C'	DIM. 'D'	DIM. 'E'	DIM. 'F'	DIM. 'G'	DIM. 'H'
2	1.417	N/A	.984	.884	.528	.398	.343	.213
4	1.583	.165	1.150	1.050	.693	.563	.508	.378
6	1.748	.331	1.315	1.215	.858	.728	.673	.543
8	1.913	.496	1.480	1.380	1.113	.983	.928	.798
10	2.078	.661	1.645	1.545	1.368	1.238	1.183	1.053
12	2.244	.827	1.811	1.711	1.523	1.393	1.338	1.208
14	2.409	.992	1.976	1.876	1.678	1.548	1.493	1.363
16	2.575	1.157	2.142	2.042	1.833	1.703	1.648	1.518
18	2.740	1.322	2.307	2.207	1.988	1.858	1.803	1.673
20	2.905	1.487	2.472	2.372	2.143	2.013	1.958	1.828
22	3.071	1.653	2.638	2.538	2.298	2.168	2.113	1.983
24	3.236	1.818	2.803	2.703	2.453	2.323	2.268	2.138

- NOTES:**
- MATERIAL:
 *1 = NYLON 6/6, 94V-2, COLOR: NATURAL.
 *2 = NYLON 6/6, 94V-0, COLOR: NATURAL.
 *3 = NYLON 6/6, 94V-2, COLOR: BLACK.
 *4 = NYLON 6/6, 94V-0, COLOR: BLACK.
 - FINISH NOT APPLICABLE.
 - PRODUCT SPECIFICATION: PS-5556-002
 - PACKAGING: PK-42474-001
 - PART MATES WITH MINI-FIT BALL PLUG *42475, AND HEADERS 42404, 42440, 44068 & 43875.
 - PART TO BE USED WITH MOLEX FEMALE TERMINAL *5556.
 - THIS CONNECTOR ALLOWS FOR .050(.127) MAX. MISALIGNMENT IN ANY DIRECTION.
 - THIS DIMENSION IS TO BE USED FOR ALIGNMENT OF THE MATING CONNECTOR.
 - CONNECTOR ASSEMBLIES ARE NOT TO BE MATED OR UNMATED WHILE CIRCUITS ARE LIVE.
 - THIS PART IS INTENDED FOR ONE PANEL INSERTION ONLY. REMOVAL AND RE-INSERTION CAN DAMAGE THE MOUNTING SPIRALS.
 - PANEL SHOULD BE PUNCHED IN THE DIRECTION OF CONNECTOR INSERTION.
 - BOTH SPIRALS SHOULD BE INSERTED INTO THE PANEL AT THE SAME TIME. ROCKING THE PART INTO PLACE MAY CAUSE SPIRAL DAMAGE.
 - THIS PART IS NOT INTENDED TO PROVIDE ANY ALIGNMENT OF CUSTOMER COMPONENTS OR MODULES, SUCH AS POWER SUPPLIES AND CHASSIS.
 - IF THIS PRODUCT IS STORED IN AN ENVIRONMENT WITH A RELATIVE HUMIDITY OF LESS THAN 50%, MOISTURE MUST BE ADDED. REFER TO TECHNICAL ADVISORY AS-45499-001 FOR INSTRUCTIONS.
 - A MAXIMUM TOLERANCE OF .050(.127) ALLOWS FOR 2 POINTS OF ELECTRICAL CONTACT. A MAXIMUM TOLERANCE OF .020(.51) ALLOWS FOR 4 POINTS OF CONTACT.
 - WIRES ARE TO BE DRESSED IN SUCH A MANNER TO ALLOW THE TERMINALS TO FLOAT FREELY IN THE POCKET. THIS PART CONFORMS TO CLASS 'B' REQUIREMENTS OF COSMETIC SPECIFICATION PS-45499-002.

QUALITY SYMBOLS □=0 □=0 □=0	GENERAL TOLERANCES (UNLESS SPECIFIED) DIMENSION STYLE IN/MM		SCALE 1:1 DESIGN UNITS METRIC THIRD ANGLE PROJECTION	
	4 PLACES ± .015 3 PLACES ± .015 2 PLACES ± 0.38 1 PLACE ± .015	INCH ± .015 INCH ± .015 INCH ± .015 INCH ± .015	DRAWN BY DATE 1989/08/24 CHECKED BY DATE 1989/08/24 APPROVED BY DATE 1989/08/24 RAS	PANEL-MOUNT RECEPTACLE BLIND MATE MINI-FIT JR. SERIES
	DRAFT WHERE APPLICABLE MUST REMAIN WITHIN DIMENSIONS		MATERIAL NO. SD-42474-001 DOCUMENT NO. SD-42474-001 SHEET NO. 1 OF 2	
	THIS DRAWING CONTAINS INFORMATION THAT IS PROPRIETARY TO MOLEX INCORPORATED AND SHOULD NOT BE USED WITHOUT WRITTEN PERMISSION			

13	12	11	10	9	8	7	6	5	4	3	2	1	
PART NUMBER	ENG. NUMBER	CKT. SIZE	MATERIAL (SEE NOTE 1.)	PART NUMBER	ENG. NUMBER	CKT. SIZE	MATERIAL (SEE NOTE 1.)	ITEM NUMBER	CKT. SIZE	MATERIAL (SEE NOTE 1.)	ITEM NUMBER	CKT. SIZE	MATERIAL (SEE NOTE 1.)
NOT TOOLED	42474-0211	2	94V-2	NOT TOOLED	42474-0221	2	94V-0	NOT TOOLED	2	94V-2	NOT TOOLED	2	94V-0
15-06-0040	42474-0411	4	94V-2	15-06-0041	42474-0421	4	94V-0	42474-0431	4	94V-2	42474-0441	4	94V-0
15-06-0060	42474-0611	6	94V-2	15-06-0061	42474-0621	6	94V-0	42474-0631	6	94V-2	42474-0641	6	94V-0
15-06-0080	42474-0811	8	94V-2	15-06-0081	42474-0821	8	94V-0	42474-0831	8	94V-2	NOT TOOLED	8	94V-0
15-06-0100	42474-1011	10	94V-2	15-06-0101	42474-1021	10	94V-0	42474-1031	10	94V-2	42474-1041	10	94V-0
NOT TOOLED	42474-1211	12	94V-2	NOT TOOLED	42474-1221	12	94V-0	NOT TOOLED	12	94V-2	NOT TOOLED	12	94V-0
15-06-0140	42474-1411	14	94V-2	15-06-0141	42474-1421	14	94V-0	42474-1431	14	94V-2	42474-1441	14	94V-0
NOT TOOLED	42474-1611	16	94V-2	NOT TOOLED	42474-1621	16	94V-0	NOT TOOLED	16	94V-2	NOT TOOLED	16	94V-0
15-06-0180	42474-1811	18	94V-2	15-06-0181	42474-1821	18	94V-0	42474-1831	18	94V-2	42474-1841	18	94V-0
NOT TOOLED	42474-2011	20	94V-2	NOT TOOLED	42474-2021	20	94V-0	NOT TOOLED	20	94V-2	NOT TOOLED	20	94V-0
NOT TOOLED	42474-2211	22	94V-2	NOT TOOLED	42474-2221	22	94V-0	NOT TOOLED	22	94V-2	NOT TOOLED	22	94V-0
15-06-0240	42474-2411	24	94V-2	15-06-0241	42474-2421	24	94V-0	42474-2431	24	94V-2	42474-2441	24	94V-0



SEE SHEET 1 EC NO. UCP2011-0682 DRAWN: JAGUILAR 2010/09/10 CHKD: BELL 2010/09/10 APPR: SMITH 2010/09/17	QUALITY SYMBOLS 	GENERAL TOLERANCES (UNLESS SPECIFIED)		DIMENSION STYLE		SCALE	DESIGN UNITS	THIRD ANGLE PROJECTION		
				IN/MM		1:1	METRIC			
		4 PLACES ± .015 3 PLACES ± .015 2 PLACES ± 0.38 1 PLACE ± .015 ANGULAR ± 1/2°		mm INCH GEP DATE 1989/08/24 RAS DATE 1989/08/24		DATE 1989/08/24 DATE 1989/08/24			TITLE PANEL-MOUNT RECEPTACLE BLIND MATE MINI-FIT JR. SERIES	
		DRAFT WHERE APPLICABLE MUST REMAIN WITHIN DIMENSIONS		SEE CHART THIS DRAWING CONTAINS INFORMATION THAT IS PROPRIETARY TO MOLEX INCORPORATED AND SHOULD NOT BE USED WITHOUT WRITTEN PERMISSION		MATERIAL NO. DOCUMENT NO. SD-42474-****			SHEET NO. 2 OF 2	