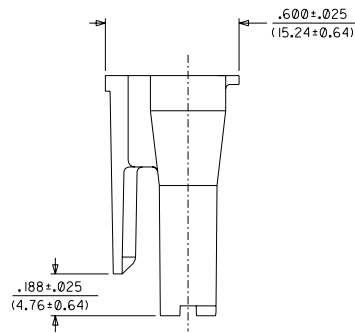
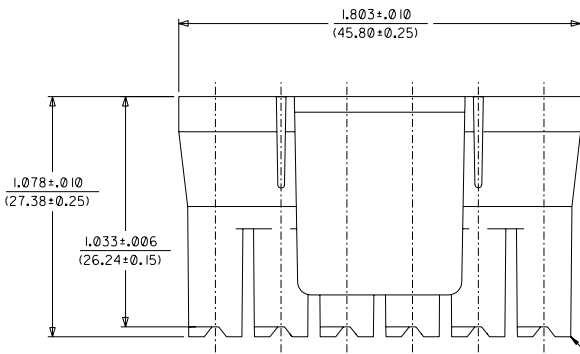


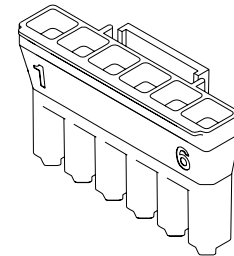
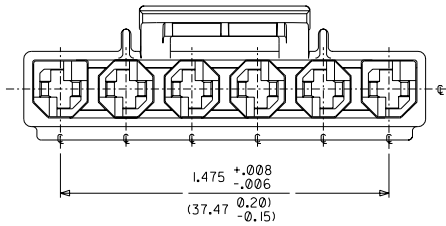
13 12 11 10 9 8 7 6 44441 4 3 2 1

NOTES:

1. MATERIAL: NYLON,UL94V-0,COLOR BLACK.
2. THIS CONNECTOR HOUSING FOR USE WITH 43375-\*\*\*\* TERMINALS.
3. THIS CONNECTOR HOUSING WILL MATE TO A-43160-\*\*\*\*6, 43180-\*\*\*\*6, AND 43680-\*\*\*\*6 HOUSINGS.
4. PRODUCT SPECIFICATION: PSX-44441-9999.
5. PACKAGING: PK-44441-001.



CIRCUIT I



44441

C2	V-0 TO TITLE BLK UCP 2004-2000 BW 9-20-04
C1	REVISED PER UCP2001-0709 SOMMER 01/05/23
C	REVISED PER UCR1999-0340 LENZ '98/11/24
B2	REVISED PER ECR# U71442 97/05/21 KBP
B1	REVISED PER ECR #U70915 MARANTO 97/02/06
B	REVISED PER ECR #U70564 MARANTO 97/01/15
A1	REVISED PRE ECR# U70029 96/07/12 KSM
A	REMOVE 'X' PER ECR# U60363 95/09/18 MAB
I	X-RELEASE ECR US 0548 CXC 95/01/09

DIMENSIONS SHOWN (METRIC) INCH		REVISIONS	
TOLERANCES UNLESS OTHERWISE SPECIFIED		MFG. SH. REV. LTR.	
TOLERANCES ANGULAR ± 0.2°		= 0	
INCH METRIC		REVISE ONLY ON CAD SYSTEM	
3 PLACE ± .010	---	TITLE	
2 PLACE ± .014 ± 0.25	---	6-CIR RECEPTACLE HOUSING	
1 PLACE --- ± 0.35	---	.125/(3.18) X .020/(0.51)	
DRAFT WHERE APPLICABLE MUST REMAIN WITHIN DIMENSIONS		SABRE - TPA, V-0 MAT'L	
MOLEX INCORPORATED		SHEET NO. DATE	
LIT/EA/L 69532		1 OF 1 95/01/09	
PART NO. 444412006		DRWG. NO. SD-44441-2006	
ORIG. BY: RAS	CHKD. BY: KBP	FILE NAME: S44441B1	
APP'D. RAS	SCALE: 3:1	NO DIMENSION CONTAINS INFORMATION THAT IS PROPRIETARY TO MOLEX INC. AND SHOULD NOT BE USED WITHOUT WRITTEN PERMISSION. CP C	

13 12 11 10 9 8 7 6 5 4 3 2 1