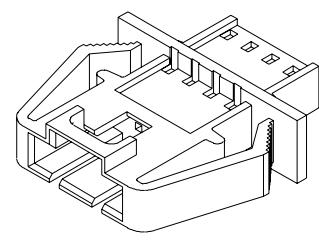
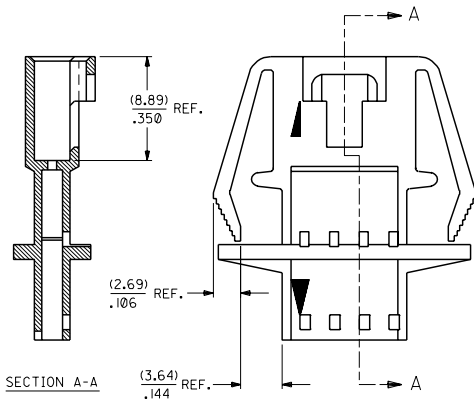
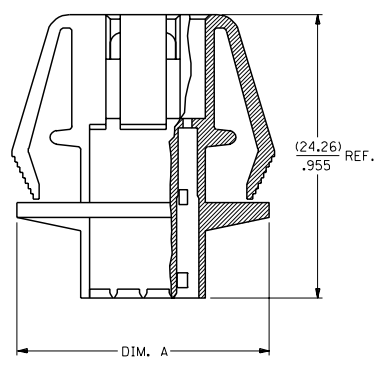
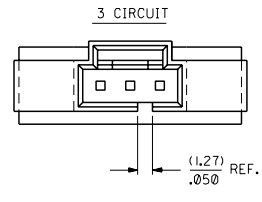
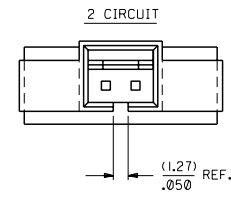
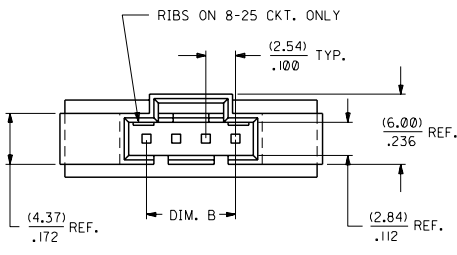


13 12 11 10 9 8 7 6 70107 4 3 2 1

- NOTES:**
- 1) MATERIAL: POLYESTER, 94V-0
COLOR: BLACK
 - 2) HOUSING TO BE USED WITH TERMINAL
PT. NO. 70021-****
 - 3) SEE CHART FOR CIRCUIT SIZES
 - 4) TO BE USED WITH 70400 SERIES
CONNECTORS (STYLE "G")
 - 5) PANEL THICKNESS (0.81)/.032 - (2.36)/.093
 - 6) SEE SHEET 3 FOR MOUNTING HOLE DIMENSIONS.
 - 7) SEE SHEET 2 FOR OPTIONAL SKIRT AND
SHROUD CONFIGURATIONS
 - 8) PACKAGE PER PK-70107-100.

CKT. SIZE	EDP. NO.	ENG. NO.	A	B
2	701-07-0036	70107-0036	(16.51) .650	(2.54) .100
3	701-07-0037	70107-0037	(19.05) .750	(5.08) .200
4	701-07-0038	70107-0038	(21.59) .850	(7.62) .300
5	701-07-0039	70107-0039	(24.13) .950	(10.16) .400
6	701-07-0040	70107-0040	(26.67) 1.050	(12.70) .500
7	701-07-0041	70107-0041	(29.21) 1.150	(15.24) .600
8	701-07-0042	70107-0042	(31.75) 1.250	(17.78) .700
9	701-07-0043	70107-0043	(34.29) 1.350	(20.32) .800
10	701-07-0044	70107-0044	(36.83) 1.450	(22.86) .900
11	701-07-0045	70107-0045	(39.37) 1.550	(25.40) 1.000
12	701-07-0046	70107-0046	(41.91) 1.650	(27.94) 1.100
13	701-07-0047	70107-0047	(44.45) 1.750	(30.48) 1.200
14	701-07-0048	70107-0048	(46.99) 1.850	(33.02) 1.300
15	701-07-0049	70107-0049	(49.53) 1.950	(35.56) 1.400
16	701-07-0050	70107-0050	(52.07) 2.050	(38.10) 1.500
17	701-07-0051	70107-0051	(54.61) 2.150	(40.64) 1.600
18	701-07-0052	70107-0052	(57.15) 2.250	(43.18) 1.700
19	701-07-0053	70107-0053	(59.69) 2.350	(45.72) 1.800
20	701-07-0054	70107-0054	(62.23) 2.450	(48.26) 1.900
21	701-07-0055	70107-0055	(64.77) 2.550	(50.80) 2.000
22	701-07-0056	70107-0056	(67.31) 2.650	(53.34) 2.100
23	701-07-0057	70107-0057	(69.85) 2.750	(55.88) 2.200
24	701-07-0058	70107-0058	(72.39) 2.850	(58.42) 2.300
25	701-07-0059	70107-0059	(74.93) 2.950	(60.96) 2.400

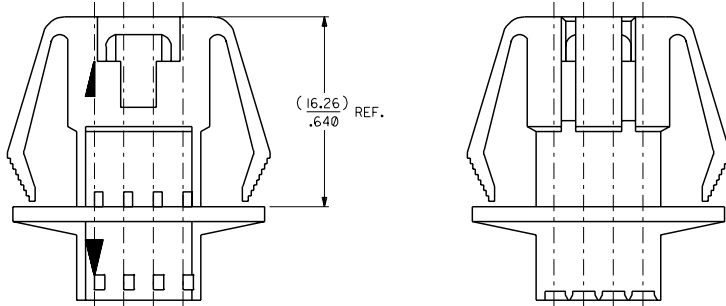


3	G
2	J
1	J
MFG. SH. REV.	

I ADD PKG. NOTE PER UDT2000-0489 SCHAFER 99/12/1		DIMENSIONS SHOWN IN METRIC INCH UNLESS OTHERWISE SPECIFIED TOLERANCES ANGULAR 1/2°		▽ = 0 ▼ = 0 REVISE ONLY ON CAD SYSTEM	
H REVISED EAR DIM'S PER ECR #9533 12/1/86 MJM/JAS		INCH METRIC ± .010 --- ± .014 ± 0.25 ± .016 --- ± 0.35		TITLE HOUSING, CONNECTOR (2.54)/.100 GRID	
J REVISED DESIGN PER ECR UDT2000-0788 KMS 08/24/88		DRAFT WHERE APPLICABLE MUST REMAIN WITHIN DIMENSIONS		MOLEX INCORPORATED SHEET NO. DATE U.S.A. 1 OF 3 7 / 4 / 86	
G REDRAWN ON CAD ADD NEW SHEET 2 PER ECR #9200 8/21/86 MJM		PART NO. DRWG. NO. 68532 SD-70107-0036-0059		FILE NAME 570107002 LOC.	
LTR. REVISIONS	LTR. REVISIONS	DRWG. BY RS	CHK'D. BY MJM	THIS DRAWING CONTAINS INFORMATION THAT IS PROPRIETARY TO MOLEX INC. AND SHOULD NOT BE USED WITHOUT WRITTEN PERMISSION.	
		APP'D. BY WAZ	SCALE 4:1	TDR. DA	

13 12 11 10 9 8 7 6 5 4 3 2 1

13 12 11 10 9 8 7 6 70107 4 3 2 1

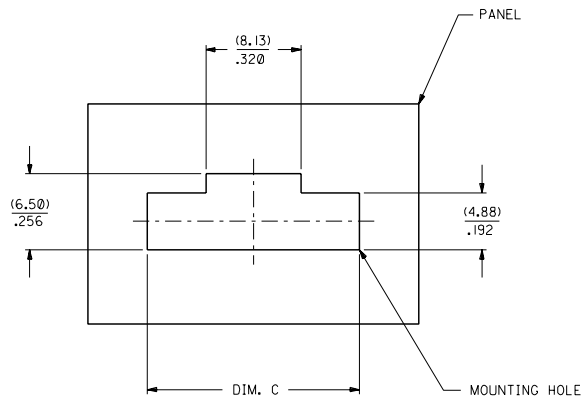


OPTIONAL CONFIGURATIONS FOR INTERNATIONAL MOLD

70107

LTR.		REVISIONS	LTR.	REVISIONS	G SEE SHEET I		DIMENSIONS SHOWN IN METRIC INCH UNLESS OTHERWISE SPECIFIED TOLERANCES ANGULAR 1/2°		MFG. SH. REV. REVISIONS																					
							<table border="1"> <tr> <th colspan="2">INCH</th> <th colspan="2">METRIC</th> </tr> <tr> <td>± PLACE</td> <td>± .010</td> <td>±</td> <td>---</td> </tr> <tr> <td>± PLACE</td> <td>± .014</td> <td>±</td> <td>± 0.25</td> </tr> <tr> <td>± PLACE</td> <td>---</td> <td>±</td> <td>± 0.35</td> </tr> </table>		INCH		METRIC		± PLACE	± .010	±	---	± PLACE	± .014	±	± 0.25	± PLACE	---	±	± 0.35	TITLE HOUSING, CONNECTOR (2.54)/.100 GRID		FILE NAME S7Q107X06		SHEET NO. 2 DATE 7 / 4 / 86	
INCH		METRIC																												
± PLACE	± .010	±	---																											
± PLACE	± .014	±	± 0.25																											
± PLACE	---	±	± 0.35																											
							DRAFT WHERE APPLICABLE MUST REMAIN WITHIN DIMENSIONS		MOLEX INCORPORATED 68532																					
							DRWG. NO. SD-70107-0036-0059		THIS DRAWING CONTAINS INFORMATION THAT IS PROPRIETARY TO MOLEX INC. AND SHOULD NOT BE USED WITHOUT WRITTEN PERMISSION.																					
							DRWG. BY WAZ		DATE DA																					
							CHECKED BY RS		SCALE 4: 1																					
							DESIGNED BY MJM		SIZE DA																					

13 12 11 10 9 8 7 6 5 4 3 2 1



RECOMMENDED MOUNTING HOLE LAYOUT

70107

CKT. SIZE	EDP. NO.	ENG. NO.	C
2	701-07-0036	70107-0036	(13.08) .515
3	701-07-0037	70107-0037	(15.62) .615
4	701-07-0038	70107-0038	(18.61) .715
5	701-07-0039	70107-0039	(20.70) .815
6	701-07-0040	70107-0040	(23.24) .915
7	701-07-0041	70107-0041	(25.78) 1.015
8	701-07-0042	70107-0042	(28.32) 1.115
9	701-07-0043	70107-0043	(30.86) 1.215
10	701-07-0044	70107-0044	(33.40) 1.315
11	701-07-0045	70107-0045	(35.94) 1.415
12	701-07-0046	70107-0046	(38.48) 1.515
13	701-07-0047	70107-0047	(41.02) 1.615
14	701-07-0048	70107-0048	(43.56) 1.715
15	701-07-0049	70107-0049	(46.10) 1.815
16	701-07-0050	70107-0050	(48.64) 1.915
17	701-07-0051	70107-0051	(51.18) 2.015
18	701-07-0052	70107-0052	(53.72) 2.115
19	701-07-0053	70107-0053	(56.26) 2.215
20	701-07-0054	70107-0054	(58.80) 2.315
21	701-07-0055	70107-0055	(61.34) 2.415
22	701-07-0056	70107-0056	(63.88) 2.515
23	701-07-0057	70107-0057	(66.42) 2.615
24	701-07-0058	70107-0058	(68.96) 2.715
25	701-07-0059	70107-0059	(71.50) 2.815

MFG. SH. REV.		REVISIONS		REVISIONS		REVISIONS		REVISIONS		REVISIONS	
G		SEE SHEET I									
LTR.		LTR.		LTR.		LTR.		LTR.		LTR.	

DRAFTSMAN		CHECKED		APPROVED		DATE		SCALE		SHEET NO.	
RS		MJM		WAZ		7/5/86		4:1		3	
FILE NAME		PART NO.		DRAWING NO.		DATE		SCALE		SHEET NO.	
S70107003		SD-70107-0036-0059		68532		7/5/86		4:1		3	

UNLESS OTHERWISE SPECIFIED TOLERANCES ANGULAR 1/32"

± PLACE	± .005	---
± PLACE	± .01	± 0.13
± PLACE	---	± 0.25

DRAFT WHERE APPLICABLE MUST REMAIN WITHIN DIMENSIONS

MOLEX INCORPORATED
135 E. JALL
68532

HOUSING, CONNECTOR
(2.54)/.100 GRID

REVISIONS

DATE 7/5/86

FILE NAME S70107003

PART NO. SD-70107-0036-0059

DRAWING NO. 68532

DATE 7/5/86

SCALE 4:1

SHEET NO. 3

THIS DRAWING CONTAINS INFORMATION THAT IS PROPRIETARY TO MOLEX INC. AND SHOULD NOT BE USED WITHOUT WRITTEN PERMISSION.

APP'D. WAZ

CHK'D. MJM

SCALE 4:1

FILE NAME S70107003

PART NO. SD-70107-0036-0059

DRAWING NO. 68532

DATE 7/5/86

SCALE 4:1

SHEET NO. 3

THIS DRAWING CONTAINS INFORMATION THAT IS PROPRIETARY TO MOLEX INC. AND SHOULD NOT BE USED WITHOUT WRITTEN PERMISSION.