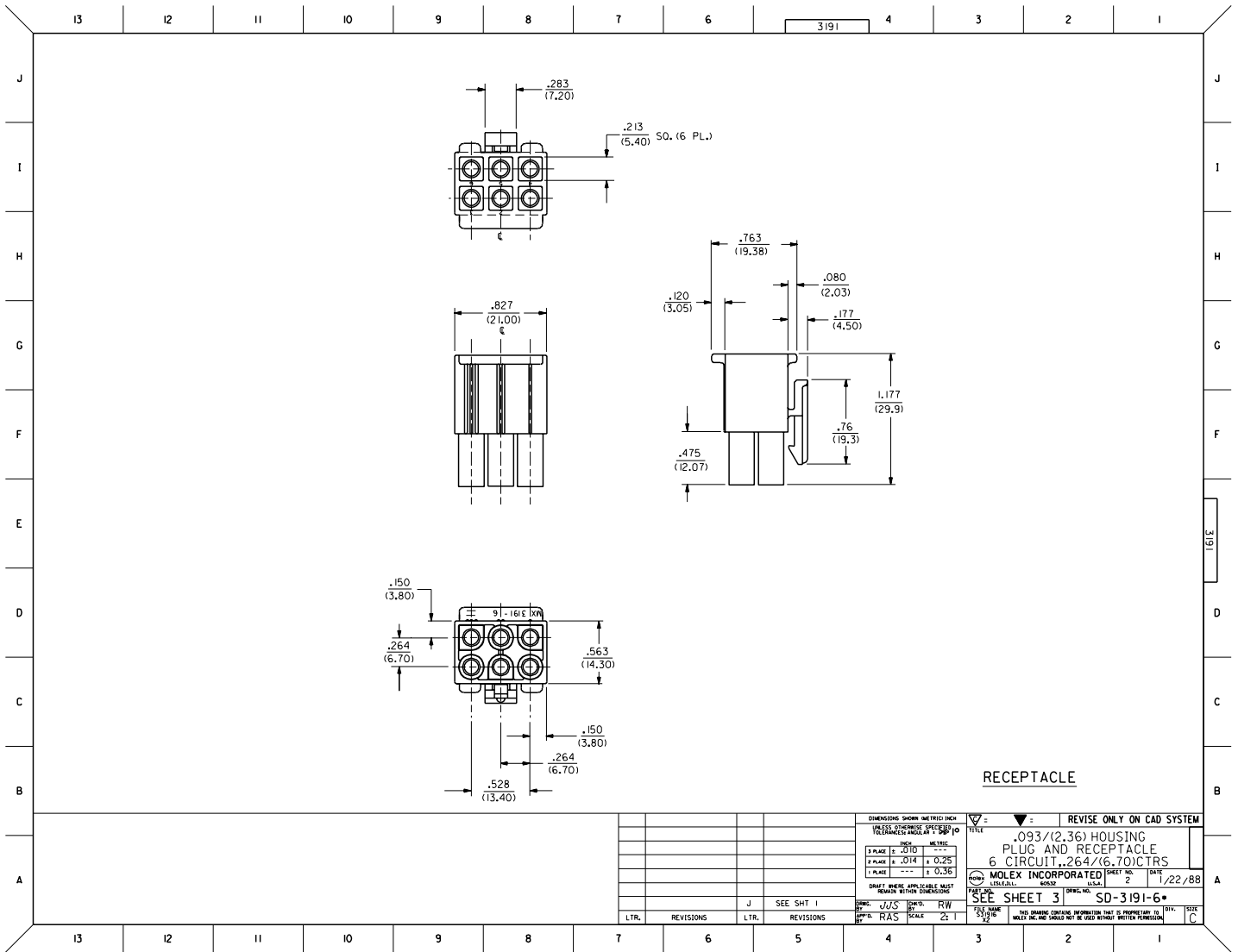


PLUG

MI	ADD RAMP LENGTH ECR #U4 0293 2-14-94 RW			
M	REVISED PER ECR # U90659 KBW 07-25-89 RW			
L	ADDED STANDOFFS PER ECR U8 2271 CEP 11-30-88 RW			
K	REV. & FINAL REL. ECR U8 1710 CEP 7-14-88 RW			
J	REVISED & REDRAWN PER ECR U8 0122 2-2-88 SCHAFFER			
M	M I			
MFG.	SH.	REV.	LTR.	REVISIONS

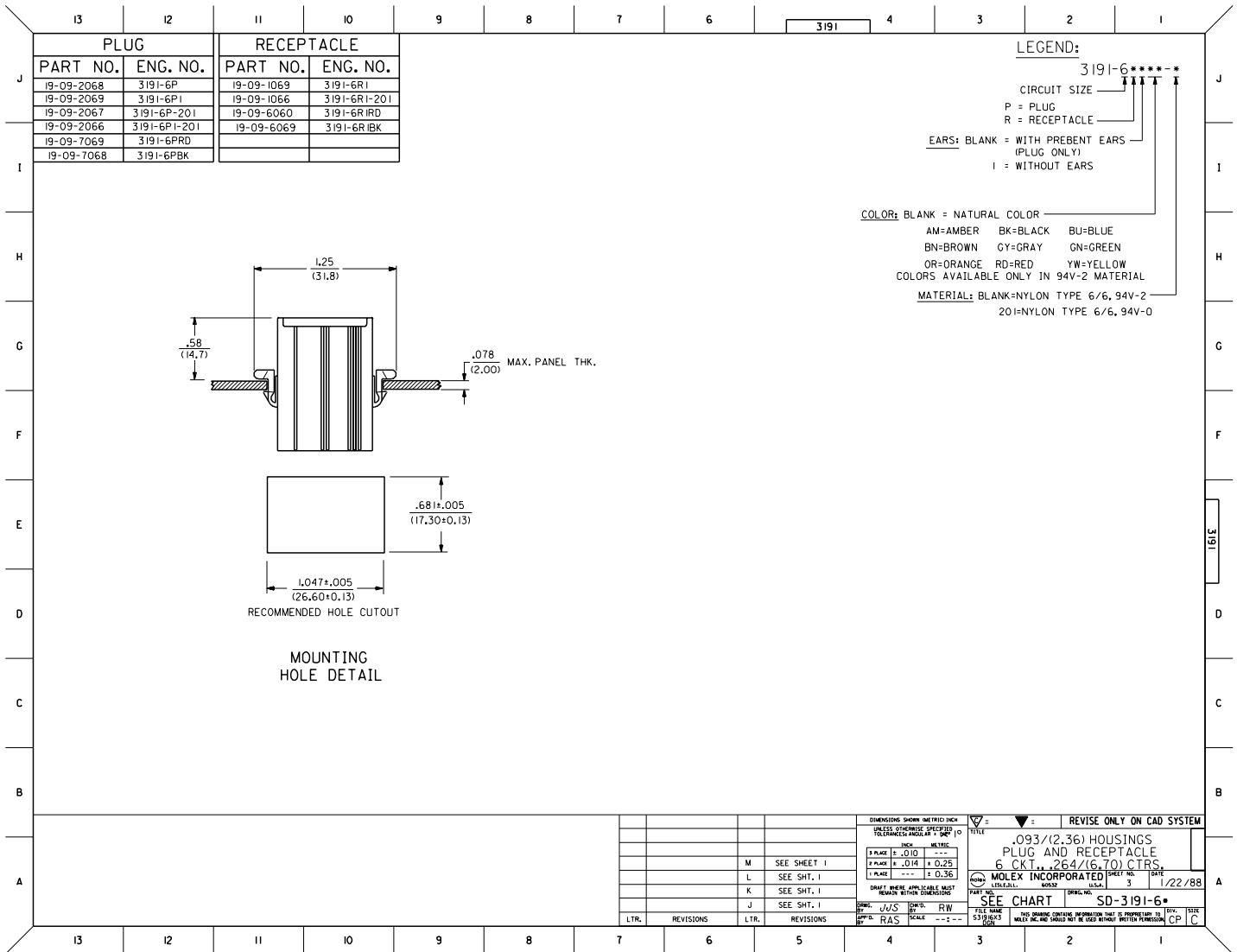
DIMENSIONS SHOWN: METRIC INCH		▽ = 0	▽ = 0	REVISE ONLY ON CAD SYSTEM												
UNLESS OTHERWISE SPECIFIED TOLERANCES ANGULAR ° DMS 10		TITLE														
<table border="1"> <tr> <th></th> <th>INCH</th> <th>METRIC</th> </tr> <tr> <td>3 PLACE</td> <td>± .010</td> <td>---</td> </tr> <tr> <td>2 PLACE</td> <td>± .014</td> <td>± 0.25</td> </tr> <tr> <td>1 PLACE</td> <td>---</td> <td>± 0.36</td> </tr> </table>			INCH	METRIC	3 PLACE	± .010	---	2 PLACE	± .014	± 0.25	1 PLACE	---	± 0.36	.093/(2.36) HOUSING PLUG AND RECEPTACLE 6 CKT. .264/(6.70) CTRS.		
	INCH	METRIC														
3 PLACE	± .010	---														
2 PLACE	± .014	± 0.25														
1 PLACE	---	± 0.36														
DRAFT WHERE APPLICABLE MUST REMAIN WITHIN DIMENSIONS		MOLEX INCORPORATED LITTLEFALL, N.J. 07643 U.S.A.														
DRWG. NO.	FILE NAME	SHEET NO.	DATE	REV.												
SD-3191-6	531916.X1	1 OF 3	1/25/88	CP												
APP'D. RAS	SCALE 2:1	SEE CHART														

NO P.S. 1



RECEPTACLE

DIMENSIONS SHOWN METRIC UNLESS OTHERWISE SPECIFIED		REVISE ONLY ON CAD SYSTEM	
TOLERANCES UNLESS OTHERWISE SPECIFIED		TITLE	
FRACTIONAL DECIMAL		.093/(2.36) HOUSING PLUG AND RECEPTACLE 6 CIRCUIT, .264/(6.70) CTRS	
DRAWING NUMBER		MOLEX INCORPORATED SHEET NO. DATE SEE SHEET 3 2 1/22/88	
DRAWING SCALE		SD-3191-6*	
DRAWN BY: JUS		CHK'D BY: RW	
APP'D BY: RAS		SCALE: 2:1	
LTR. REVISIONS		LTR. REVISIONS	
J SEE SHT 1			



UNLESS OTHERWISE SPECIFIED TOLERANCES ARE AS SHOWN		REVISE ONLY ON CAD SYSTEM	
DIMENSIONS SHOWN IN METRIC UNLESS OTHERWISE SPECIFIED		TITLE	
FRACTIONAL DECIMAL FRACTION ± .010 --- FRACTION ± .014 x 0.25 FRACTION --- 1 0.36 DIMENSIONS ARE APPROXIMATE MUST REMAIN WITHIN DIMENSIONS		.093/(2.36) HOUSINGS PLUG AND RECEPTACLE 6 CKT. .264/(6.70) CTRS.	
DRAWN: JUS CHECKED: RW BY: RAS		MOLEX INCORPORATED SHEET NO. 3 DATE 1/22/88 SEE CHART SD-3191-6	
LTR. REVISIONS LTR. REVISIONS		THIS DRAWING CONTAINS INFORMATION THAT IS PROPRIETARY TO MOLEX INC. AND SHOULD NOT BE USED WITHOUT WRITTEN PERMISSION. CP	