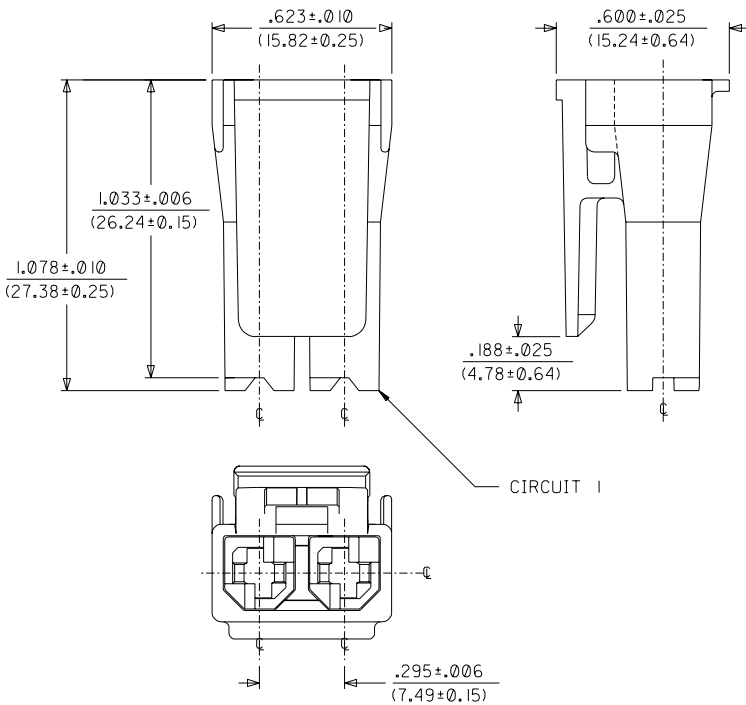
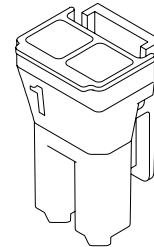


NOTES:

1. MATERIAL: SEE CHART.
2. THIS CONNECTOR HOUSING FOR USE WITH 43375-**** TERMINALS.
3. THIS CONNECTOR HOUSING WILL MATE TO A-43160-****2, 43180-****2, AND 43680-****2 HOUSINGS.
4. PRODUCT SPECIFICATION: PSX-44441-9999.
5. PACKAGING: PK-44441-001.



ITEM NUMBER	MATERIAL	COLOR
44441-2002	UL94V-0 NYLON	BLACK
44441-1002	UL94V-2 NYLON	NATURAL (TRANSLUCENT)



44441-002
(NO SCALE)

REV.	DESCRIPTION
D1	ADD V-2 VERSION UCP 2004-2000 BW 9-20-04
D	REVISED PER UCR2004-1739 04/03/10 MSC
C	REVISED PER UCR1999-0340 98/11/30 LENZ
B2	REVISED PER ECN# U71442 97/05/21 KBP
B1	REVISED PER ECR #U70915 MARANTO 97/02/06
B	REVISED PER ECR #U70564 MARANTO 97/01/15
A1	REVISED PER ECN# U70029 96/07/12 KSM
A	REMOVE 'X' PER ECN# U60363 MAB

DIMENSIONS SHOWN (METRIC) INCH		MFG. SH. REV. LTR. REVISIONS																																													
UNLESS OTHERWISE SPECIFIED TOLERANCES: ANGULAR ± 1/2°		REVISIONS																																													
<table border="1"> <thead> <tr> <th>INCH</th> <th>METRIC</th> </tr> </thead> <tbody> <tr> <td>3 PLACE ± .005</td> <td>---</td> </tr> <tr> <td>2 PLACE ± .01</td> <td>± 0.13</td> </tr> <tr> <td>1 PLACE ---</td> <td>± 0.25</td> </tr> </tbody> </table>		INCH	METRIC	3 PLACE ± .005	---	2 PLACE ± .01	± 0.13	1 PLACE ---	± 0.25	<table border="1"> <tr> <td>▽ = 0</td> <td>▼ = 0</td> <td colspan="2">REVISE ONLY ON CAD SYSTEM</td> </tr> <tr> <td colspan="4">TITLE 2-CIR RECEPTACLE HOUSING .125/(3.18) X .020/(0.51) SABRE - TPA</td> </tr> <tr> <td colspan="2">MOLEX INCORPORATED</td> <td>SHEET NO.</td> <td>DATE</td> </tr> <tr> <td colspan="2">LITSE,ILL. 60532</td> <td>U.S.A. 1 OF 1</td> <td>95/09/18</td> </tr> <tr> <td colspan="2">PART NO. SEE CHART</td> <td colspan="2">DRWG. NO. SD-44441-002</td> </tr> <tr> <td>DRWG. BY: MAB</td> <td>CHK'D. BY: KBP</td> <td>FILE NAME</td> <td>DIV.</td> </tr> <tr> <td>APP'D. BY: RAS</td> <td>SCALE: 3:1</td> <td>S4444121</td> <td>CP</td> </tr> <tr> <td colspan="2">DRAFT WHERE APPLICABLE MUST REMAIN WITHIN DIMENSIONS</td> <td colspan="2">THIS DRAWING CONTAINS INFORMATION THAT IS PROPRIETARY TO MOLEX INC. AND SHOULD NOT BE USED WITHOUT WRITTEN PERMISSION.</td> </tr> <tr> <td colspan="2"></td> <td>CP</td> <td>B</td> </tr> </table>		▽ = 0	▼ = 0	REVISE ONLY ON CAD SYSTEM		TITLE 2-CIR RECEPTACLE HOUSING .125/(3.18) X .020/(0.51) SABRE - TPA				MOLEX INCORPORATED		SHEET NO.	DATE	LITSE,ILL. 60532		U.S.A. 1 OF 1	95/09/18	PART NO. SEE CHART		DRWG. NO. SD-44441-002		DRWG. BY: MAB	CHK'D. BY: KBP	FILE NAME	DIV.	APP'D. BY: RAS	SCALE: 3:1	S4444121	CP	DRAFT WHERE APPLICABLE MUST REMAIN WITHIN DIMENSIONS		THIS DRAWING CONTAINS INFORMATION THAT IS PROPRIETARY TO MOLEX INC. AND SHOULD NOT BE USED WITHOUT WRITTEN PERMISSION.				CP	B
INCH	METRIC																																														
3 PLACE ± .005	---																																														
2 PLACE ± .01	± 0.13																																														
1 PLACE ---	± 0.25																																														
▽ = 0	▼ = 0	REVISE ONLY ON CAD SYSTEM																																													
TITLE 2-CIR RECEPTACLE HOUSING .125/(3.18) X .020/(0.51) SABRE - TPA																																															
MOLEX INCORPORATED		SHEET NO.	DATE																																												
LITSE,ILL. 60532		U.S.A. 1 OF 1	95/09/18																																												
PART NO. SEE CHART		DRWG. NO. SD-44441-002																																													
DRWG. BY: MAB	CHK'D. BY: KBP	FILE NAME	DIV.																																												
APP'D. BY: RAS	SCALE: 3:1	S4444121	CP																																												
DRAFT WHERE APPLICABLE MUST REMAIN WITHIN DIMENSIONS		THIS DRAWING CONTAINS INFORMATION THAT IS PROPRIETARY TO MOLEX INC. AND SHOULD NOT BE USED WITHOUT WRITTEN PERMISSION.																																													
		CP	B																																												