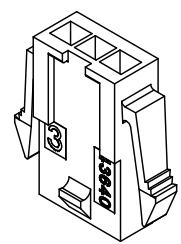
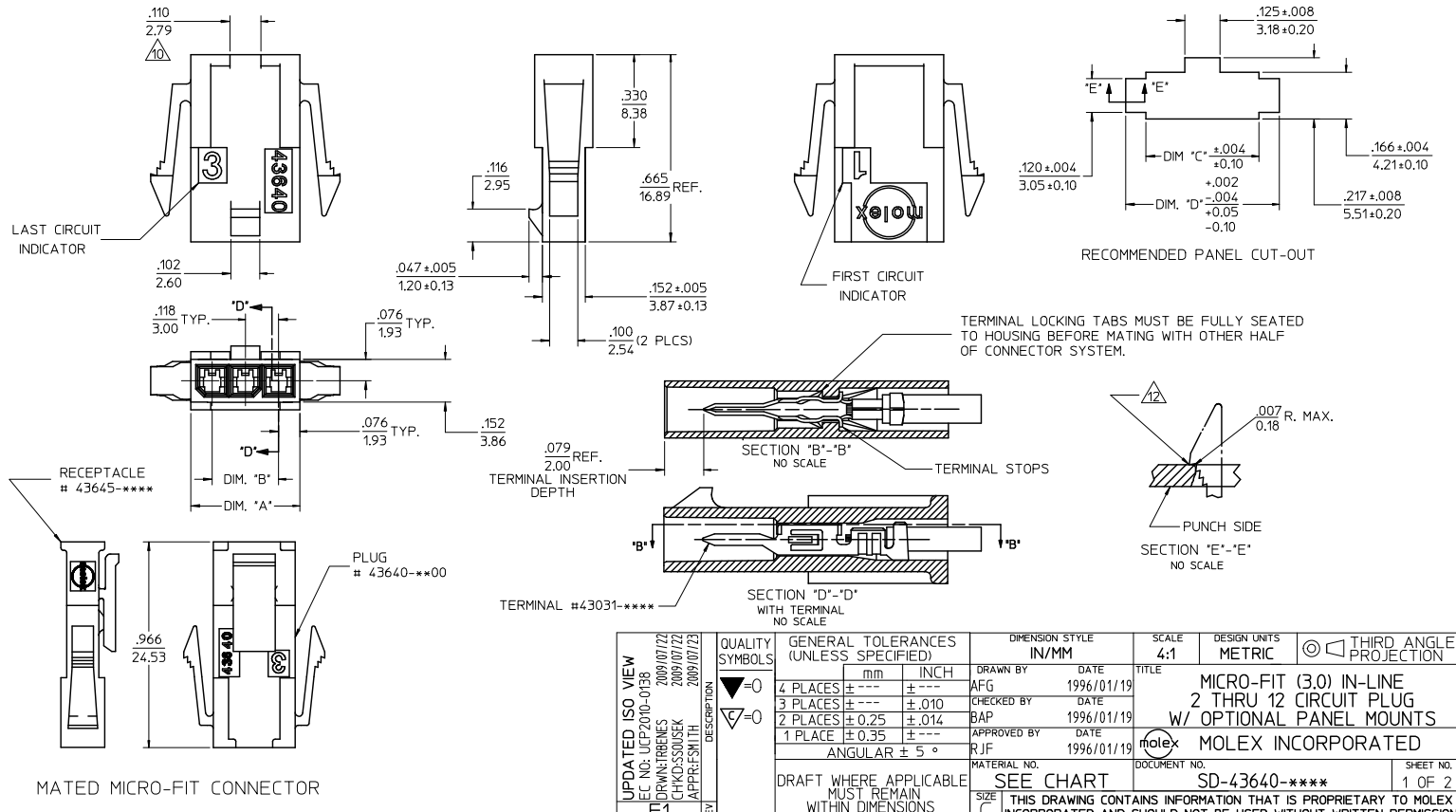


| ASSEMBLY ITEM NUMBER | PART CHARACTERISTICS NUMBER OF POSITION | CKT. NO. | DIM. "A" | DIM. "B" | DIM. "C" | DIM. "D" |
|----------------------|---|----------|-------------|-------------|-------------|-------------|
| 43640-0200 | 02 | 2 | .270/6.85 | .118/3.00 | .284/7.21 | .429/10.90 |
| 43640-0300 | 03 | 3 | .388/9.85 | .236/6.00 | .402/10.21 | .547/13.89 |
| 43640-0400 | 04 | 4 | .506/12.85 | .354/9.00 | .520/13.21 | .665/16.89 |
| 43640-0500 | 05 | 5 | .624/15.85 | .472/12.00 | .638/16.21 | .783/19.89 |
| 43640-0600 | 06 | 6 | .742/18.85 | .591/15.00 | .756/19.21 | .901/22.89 |
| 43640-0700 | 07 | 7 | .860/21.85 | .709/18.00 | .874/22.20 | 1.019/25.88 |
| 43640-0800 | 08 | 8 | .978/24.85 | .872/21.00 | .992/25.20 | 1.137/28.88 |
| 43640-0900 | 09 | 9 | 1.096/27.85 | .945/24.00 | 1.110/28.20 | 1.255/31.88 |
| 43640-1000 | 10 | 10 | 1.215/30.85 | 1.063/27.00 | 1.229/31.22 | 1.373/34.87 |
| 43640-1100 | 11 | 11 | 1.333/33.85 | 1.181/30.00 | 1.347/34.22 | 1.491/37.87 |
| 43640-1200 | 12 | 12 | 1.451/36.85 | 1.299/33.00 | 1.465/37.22 | 1.609/40.87 |

- NOTES:
- HOUSING MATERIAL: UNFILLED POLYESTER, RATED UL94V-0 COLOR IS BLACK
 - FINISH: NONE
 - PRODUCT SPECIFICATION: PS-43650
 - PACKAGING SPECIFICATION: NONE
 - THIS HOUSING MATES WITH MICRO-FIT RECEPTACLE #43645-****.
 - THIS HOUSING IS DESIGNED IN METRIC
 - THIS HOUSING IS TO BE USED WITH MOLEX MALE TERMINAL #43031-****.
 - PLUG DESIGNED FOR .062/1.57 TO .090/2.30 THICK STAMPED PANEL OR P.C.BOARD.
 - SEE SECTION "D"-D" FOR TERMINAL ORIENTATION IN HOUSING.
 - THIS DIMENSION APPLIES TO PLUG CKT. SIZES 2 THRU 12 ONLY.
 - SEE SHEET 2 FOR PLUG WITHOUT PANEL MOUNTS.
 - PANEL MOUNT FEATURES MUST LOCK ON SIDE OPPOSITE PUNCH SIDE FOR OPTIMUM RETENTION.
 - THIS PART CONFORMS TO CLASS B REQUIREMENTS OF COSMETIC SPECIFICATION PS-45499-002.

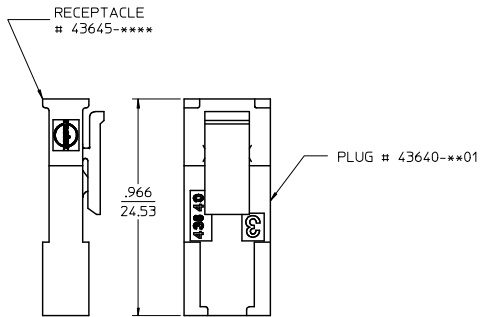
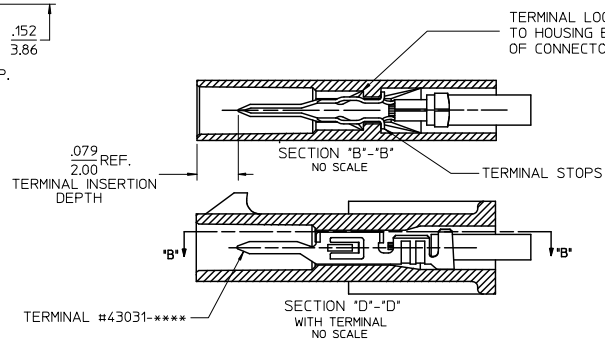
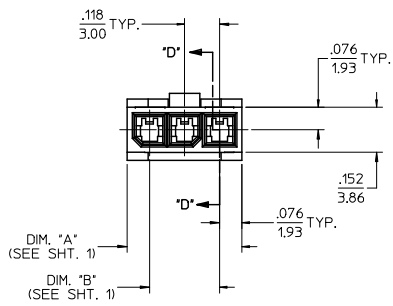
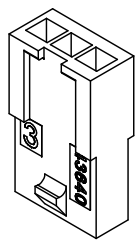
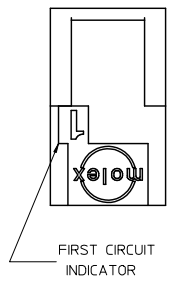
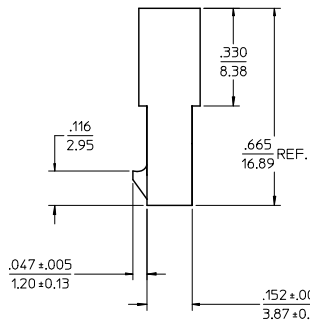
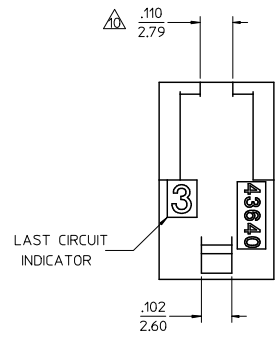


PLUG WITH PANEL MOUNTS



| | | | | | | | | |
|--|-------------------------------|---|--------------------|---------------------------------|--------------------|-----------------------------------|------------------------|---------------------------|
| UPDATED ISO VIEW EC NO. UCEP200-0138 DRWN:RBRES 2009/07/22 CHKD:SSJUSEK 2009/07/22 APPR:SMITH 2009/07/23 | QUALITY SYMBOLS ▽=0 ▽=0 | GENERAL TOLERANCES (UNLESS SPECIFIED): mm INCH 4 PLACES ± .10 ± .004 3 PLACES ± .15 ± .005 2 PLACES ± .25 ± .010 1 PLACE ± 0.35 ± .015 ANGULAR ± 5° | | DIMENSION STYLE IN/MM | SCALE 4:1 | DESIGN UNITS METRIC | THIRD ANGLE PROJECTION | |
| | | DRAWN BY AFG 1996/01/19 | DATE 1996/01/19 | CHECKED BY BAP 1996/01/19 | DATE 1996/01/19 | APPROVED BY R/JF 1996/01/19 | DATE 1996/01/19 | MATERIAL NO. SEE CHART |

| X-CONTACT FACTORY | ASSEMBLY ITEM NUMBER | PART CHARACTERISTICS NUMBER OF POSITION |
|-------------------|----------------------|---|
| | 43640-0201 | 02 |
| | 43640-0301 | 03 |
| | 43640-0401 | 04 |
| | 43640-0501 | 05 |
| | 43640-0601 | 06 |
| X | 43640-0701 | 07 |
| X | 43640-0801 | 08 |
| X | 43640-0901 | 09 |
| X | 43640-1001 | 10 |
| X | 43640-1101 | 11 |
| X | 43640-1201 | 12 |



| | | | | | | | | |
|--|---------------------|--|--|---|--|---------------|--------------|------------------------|
| UPDATED ISO VIEW EC NO. UCP200-0138 2009/07/22 DRAWN: IRENES 2009/07/22 CHKD: SJOSEK 2009/07/22 APPROV: SMITH | QUALITY SYMBOLS | GENERAL TOLERANCES (UNLESS SPECIFIED) | | DIMENSION STYLE | | SCALE | DESIGN UNITS | THIRD ANGLE PROJECTION |
| | | | | IN/MM | | 4:1 | METRIC | |
| | | | | DRAWN BY DATE | | TITLE | | |
| | | | | CHECKED BY DATE | | DRAWN BY DATE | | |
| | | APPROVED BY DATE | | APPROVED BY DATE | | MATERIAL NO. | | DOCUMENT NO. |
| | | ANGULAR ± 5 ° | | SEE CHART | | SD-43640-**** | | SHEET NO. |
| | | DRAFT WHERE APPLICABLE MUST REMAIN WITHIN DIMENSIONS | | THIS DRAWING CONTAINS INFORMATION THAT IS PROPRIETARY TO MOLEX INCORPORATED AND SHOULD NOT BE USED WITHOUT WRITTEN PERMISSION | | | | 2 OF 2 |