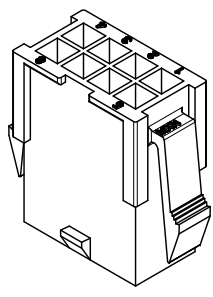
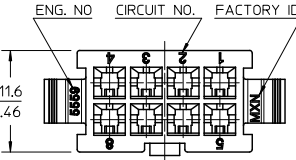
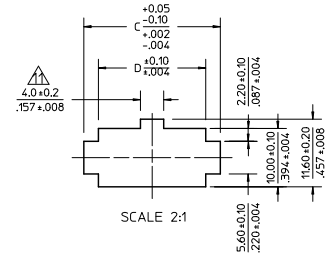
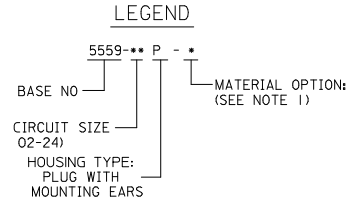
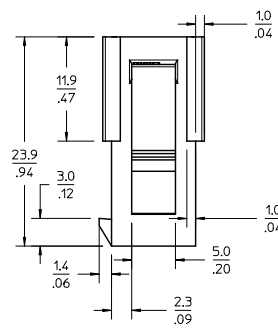
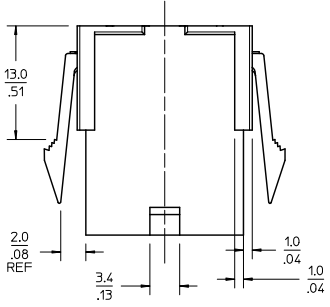


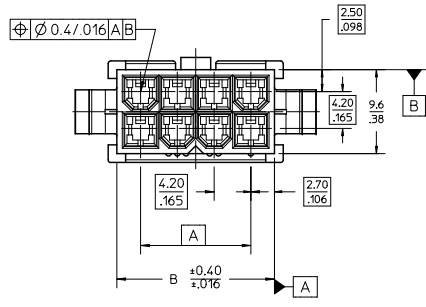
13 12 11 10 9 8 7 6 5 4 3 2 1



- NOTES:
- 1) MATERIAL:
 - *BLANK* = NYLON 6/6, 94V-2, COLOR: NATURAL.
 - *BL* = NYLON 6/6, 94V-2, COLOR: BLACK.
 - *BU* = NYLON 6/6, 94V-2, COLOR: BLUE.
 - *RE* = NYLON 6/6, 94V-2, COLOR: RED.
 - *210* = NYLON 6/6, 94V-0, COLOR: NATURAL.
 - 2) FINISH: NOT APPLICABLE
 - 3) PRODUCT SPECIFICATION: PS-5556-001
 - 4) PACKAGING: BULK
 - 5) PART MATES WITH MOLEX RECEPTACLE #5557.
 - 6) PART TO BE USED WITH MOLEX MALE TERMINAL #5558.
 - 7) PART IS NOT DESIGNED FOR CURRENT SHARING.
 - 8) CONNECTORS ARE NOT TO BE MATED OR UNMATED WHILE CIRCUITS ARE LIVE.
 - 9) WIRES ARE TO BE DRESSED IN SUCH A MANNER TO ALLOW THE TERMINALS TO FLOAT FREELY IN THE POCKET.
 - 10) PART CONFORMS TO CLASS 'B' REQUIREMENTS OF COSMETIC SPECIFICATION PS-45499-002 WITH THE EXCEPTION OF DISCOLORATION, FLASH AND SINK MEET CLASS 'C' REQUIREMENTS.
- RECOMMENDED PANEL HOLE DIMENSIONS**
(THICKNESS : 0.8-2.0(.032-.079))



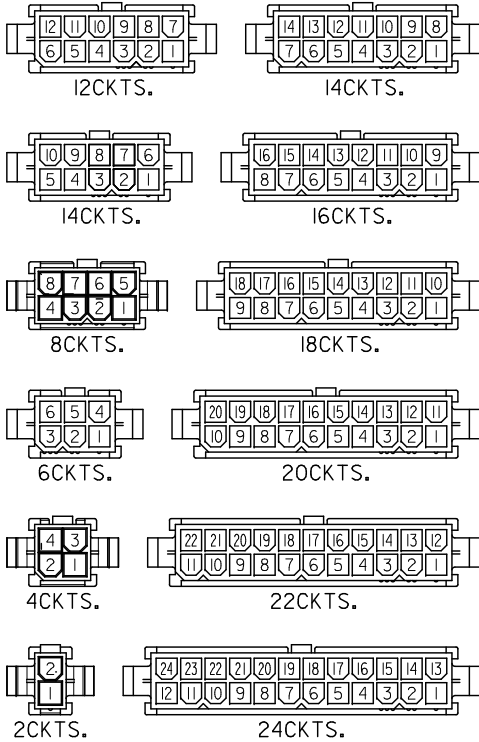
RECOMMENDED PANEL HOLE DIMENSIONS
(THICKNESS : 0.8-2.0(.032-.079))



52.1/2.051	51.0/2.244	51.6/2.031	46.2/1.819	24
47.9/1.886	52.8/2.079	47.4/1.866	42.0/1.654	22
43.7/1.720	48.6/1.915	43.2/1.701	37.8/1.488	20
39.5/1.555	44.4/1.748	39.0/1.535	33.6/1.323	18
35.3/1.390	40.2/1.583	34.8/1.370	29.4/1.158	16
31.1/1.224	36.0/1.417	30.6/1.205	25.2/992	14
26.8/1.055	31.8/1.252	26.4/1.039	21.0/827	12
22.6/890	27.6/1.087	22.2/874	16.8/661	10
18.4/724	23.4/921	18.0/709	12.6/496	8
14.2/559	19.2/756	13.8/543	8.4/331	6
10.0/394	15.0/591	9.6/318	4.2/165	4
5.8/228	10.8/425	5.4/213	—	2
			A	CIRCUIT

REMOVED -04P-RE EC NO. UCP200-2477 DRAWN: JAGUILAR 2010/04/09 CHKD: BELL 2010/08/26 APPR: SMITH 2010/08/27	QUALITY SYMBOLS □=0 ▽=0 ▽=0	GENERAL TOLERANCES (UNLESS SPECIFIED):	DIMENSION STYLE MM/IN	SCALE 3:1	DESIGN UNITS METRIC	THIRD ANGLE PROJECTION	
		4 PLACES ±.30 ±.012	DRAWN BY H. HIRAMOTO DATE 1988/10/14	TITLE	NEW MINI FIT CONNECTOR CRIMP PIN HOUSING		
		3 PLACES ±.30 ±.016	CHECKED BY Y. YAMADA DATE 1988/10/21	MOLEX INCORPORATED			
		2 PLACES ±.40 ±.016	APPROVED BY M. ENOMOTO DATE 1988/10/24	DOCUMENT NO. SD-5559-NP			
ANGULAR ± 3°		DRAFT WHERE APPLICABLE MUST REMAIN WITHIN DIMENSIONS		SEE CHART		SHEET NO. 1 OF 2	

13 12 11 10 9 8 7 6 5 4 3 2 1



CIRCUIT SIZE LAYOUT (SCALE : 2-1)

V-2 BLACK	
24	
22	
20	
18	
16	
14	
12	
10	
8	
6	
4	
2	
EDP NO.	ENG. NO.

V-2 BLUE		V-2 RED		V-0 NATURAL		V-2 NATURAL					
24				24	39-01-2246	5559-24P-210	24	39-01-2241	5559-24P	24	
22				22	-2226	-22P-210	22	-2221	-22P	22	
20				20	-2206	-20P-210	20	-2201	-20P	20	
18				18	-2186	-18P-210	18	-2181	-18P	18	
16				16	-2166	-16P-210	16	-2161	-16P	16	
14				14	-2146	-14P-210	14	-2141	-14P	14	
12				12	-2126	-12P-210	12	-2121	-12P	12	
10				10	-2106	-10P-210	10	-2101	-10P	10	
8				8	-2086	-08P-210	8	-2081	-08P	8	
6				6	-2066	-06P-210	6	-2061	-06P	6	
4				4	-2046	-04P-210	4	-2041	-04P	4	
2				2	39-01-2026	5559-02P-210	2	39-01-2021	5559-02P	2	
EDP NO.	ENG. NO.	CIRCUIT	EDP NO.	ENG. NO.	CIRCUIT	EDP NO.	ENG. NO.	CIRCUIT	EDP NO.	ENG. NO.	CIRCUIT

SEE SHEET 1 EC NO. UCF2010-2477 DRAWN: JAGUILAR 2010/04/09 CHKD: BELL 2010/08/26 APPR: SMITH 2010/08/27	QUALITY SYMBOLS	GENERAL TOLERANCES (UNLESS SPECIFIED)	DIMENSION STYLE	SCALE	DESIGN UNITS	THIRD ANGLE PROJECTION
	▽=0	mm INCH	MM/IN	2:1	METRIC	☉
	▽=0	4 PLACES ±.005 ±.005	DRAWN BY DATE	TITLE		
	▽=0	3 PLACES ±.012	H. HIRAMOTO 1988/10/14	NEW MINI. FIT CONNECTOR CRIMP PIN HOUSING		
	▽=0	2 PLACES ±.030 ±.016	CHECKED BY DATE	MOLEX INCORPORATED		
▽=0	1 PLACE ±.040 ±.005	Y. YAMADA 1988/10/21	SD-5559-NP			
ANGULAR ± 3°	APPROVED BY DATE	M. ENOMOTO 1988/10/24	SHEET NO. 2 OF 2			
DRAFT WHERE APPLICABLE MUST REMAIN WITHIN DIMENSIONS	MATERIAL NO.	SIZE	THIS DRAWING CONTAINS INFORMATION THAT IS PROPRIETARY TO MOLEX INCORPORATED AND SHOULD NOT BE USED WITHOUT WRITTEN PERMISSION			