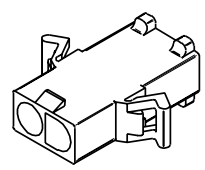
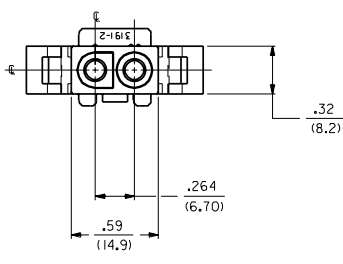
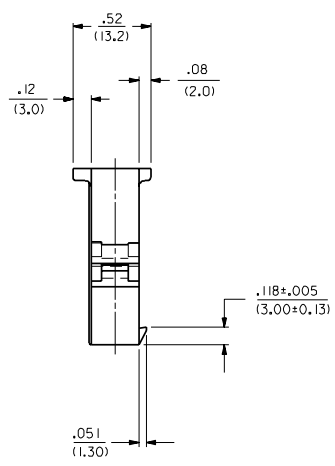
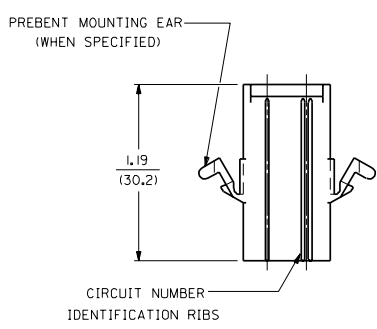
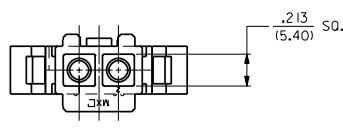


13 12 11 10 9 8 7 6 3191 4 3 2 1



PLUG

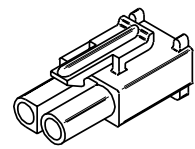
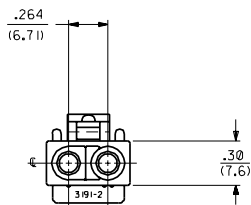
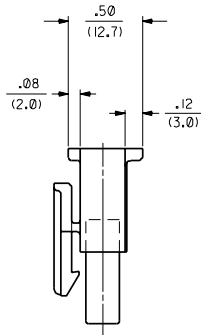
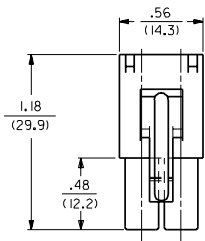
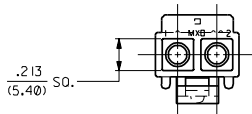
E4	REVISED LICR 888-D148 WANG 98-04-15
E3	ADD RAMP DIM'S EEN #U4 D283 3-1-94 RW
E2	X-REMOVE ECR U3 0001 C/C 12/30/92 RW
E1	REL. RED. VERSIONS ECR U1 2167 C/C 1/24/92 RW
E	REV. MATL CODE ECR # 190901 KSW 07-25-89 RW
D	REV. & REDRAWN ECR U8 1858 GEP 11-21-88 RW
C	
B	
A	

DIMENSIONS SHOWN: METRIC INCH		TOLERANCES ANGULAR: 30° 10'		REVISIONS									
3	E2	SH.	REV.	LTR.	REVISIONS								
2	D												
1	E4												
<table border="1"> <tr> <td>DRG. NO.</td> <td>SD-3191-2</td> </tr> <tr> <td>FILE NAME</td> <td>5319121</td> </tr> <tr> <td>SCALE</td> <td>2:1</td> </tr> <tr> <td>DATE</td> <td>11/21/88</td> </tr> </table>						DRG. NO.	SD-3191-2	FILE NAME	5319121	SCALE	2:1	DATE	11/21/88
DRG. NO.	SD-3191-2												
FILE NAME	5319121												
SCALE	2:1												
DATE	11/21/88												
<table border="1"> <tr> <td>DRG. NO.</td> <td>SD-3191-2</td> </tr> <tr> <td>FILE NAME</td> <td>5319121</td> </tr> <tr> <td>SCALE</td> <td>2:1</td> </tr> <tr> <td>DATE</td> <td>11/21/88</td> </tr> </table>						DRG. NO.	SD-3191-2	FILE NAME	5319121	SCALE	2:1	DATE	11/21/88
DRG. NO.	SD-3191-2												
FILE NAME	5319121												
SCALE	2:1												
DATE	11/21/88												
<table border="1"> <tr> <td>DRG. NO.</td> <td>SD-3191-2</td> </tr> <tr> <td>FILE NAME</td> <td>5319121</td> </tr> <tr> <td>SCALE</td> <td>2:1</td> </tr> <tr> <td>DATE</td> <td>11/21/88</td> </tr> </table>						DRG. NO.	SD-3191-2	FILE NAME	5319121	SCALE	2:1	DATE	11/21/88
DRG. NO.	SD-3191-2												
FILE NAME	5319121												
SCALE	2:1												
DATE	11/21/88												

13 12 11 10 9 8 7 6 5 4 3 2 1

NO P.S.

13 12 11 10 9 8 7 6 3191 4 3 2 1



**RECEPTACLE**

DIMENSIONS SHOWN IN METRIC INCH		REVISIONS ONLY ON CAD SYSTEM	
UNLESS OTHERWISE SPECIFIED TOLERANCES ANGULAR ± .50°   0°		TITLE	
INCH METRIC		.093/(2.36) HOUSING, PLUG AND RECEPTACLE, 2 CKT., .264/(6.70) CTRS.	
D PLACE ± .010	---	PART NO. SD-3191-2	
F PLACE ± .015 ± 0.25	---	SHEET NO. 2	
L PLACE --- ± 0.35	---	DATE 11/21/88	
DRAFT WHERE APPLICABLE MUST REMAIN WITHIN DIMENSIONS		MOLEX INCORPORATED 68052 U.S.A.	
DRWG. BY: GEP		DRWG. NO. SEE CHART	
CHK'D. BY: RW		FILE NAME: 531912K2	
APP'D. BY: RAS		SCALE: 2:1	
LTR.	REVISIONS	LTR.	REVISIONS
	D SEE SHT. 1		

13 12 11 10 9 8 7 6 5 4 3 2 1 P.S.

PLUG		RECEPTACLE	
PART NO.	ENG. NO.	PART NO.	ENG. NO.
19-09-2028	3191-2P	19-09-1029	3191-2R1
19-09-2029	3191-2P1	19-09-1026	3191-2R1-201
19-09-2027	3191-2P-201	19-09-1020	3191-2R IRD
19-09-2026	3191-2P1-201	19-09-1021	3191-2R IBU
19-09-2020	3191-2P IRD		
19-09-2021	3191-2P IBU		

**LEGEND:**

3191-2\*\*\*\*-\*

CIRCUIT SIZE

P = PLUG

R = RECEPTACLE

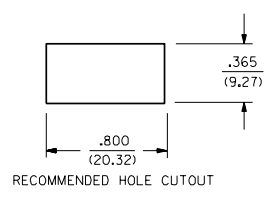
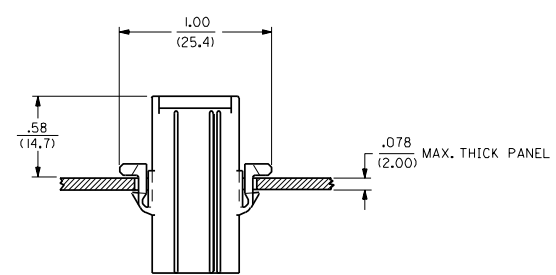
EARS: BLANK = WITH PREBENT EARS (PLUG ONLY)

I = WITHOUT EARS

**COLOR:** BLANK = NATURAL COLOR

AM=AMBER BK=BLACK BU=BLUE  
 BN=BROWN GY=GRAY GN=GREEN  
 OR=ORANGE RD=RED YW=YELLOW

**MATERIAL:** BLANK=NYLON TYPE 6/6, 94V-2  
 201=NYLON TYPE 6/6, 94V-0



**NOTES:**

1. THESE HOUSINGS FOR USE WITH MOLEX .093/(2.36) DIAMETER SERIES TERMINALS.

DIMENSIONS SHOWN IN METRIC INCH		UNLESS OTHERWISE SPECIFIED		TOLERANCES ANGULAR ± .04°		DRAFT WHERE APPLICABLE MUST REMAIN WITHIN DIMENSIONS		REVISIONS ONLY ON CAD SYSTEM	
INCH		METRIC		D PLACE ± .010		F PLACE ± .014		H PLACE ± .025	
I PLACE		L PLACE		M PLACE		N PLACE		O PLACE	
± .005		± .005		± .005		± .005		± .005	
E2		SEE SHEET I		E1		SEE SHEET I		E	
D		SEE SHEET I		LTR.		REVISIONS		LTR.	
E		SEE SHEET I		E		SEE SHEET I		D	
D		SEE SHEET I		LTR.		REVISIONS		LTR.	
E		SEE SHEET I		E		SEE SHEET I		D	
D		SEE SHEET I		LTR.		REVISIONS		LTR.	

MOLEX INCORPORATED  
 3191-2  
 11/21/88  
 SD-3191-2