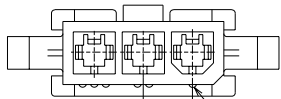
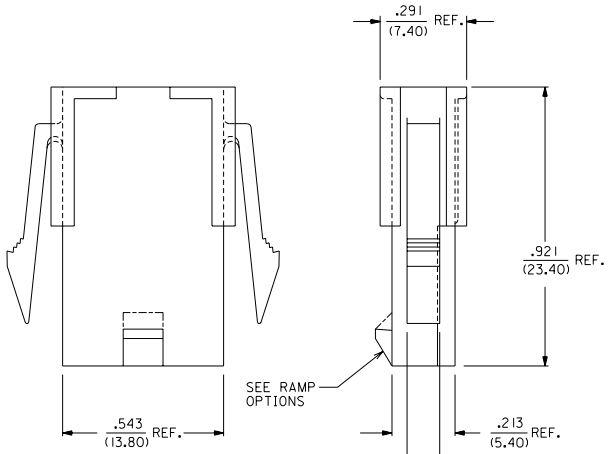
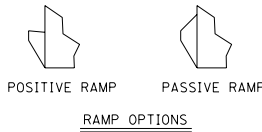


5559-03P3-***
WITHOUT MOUNTING EARS

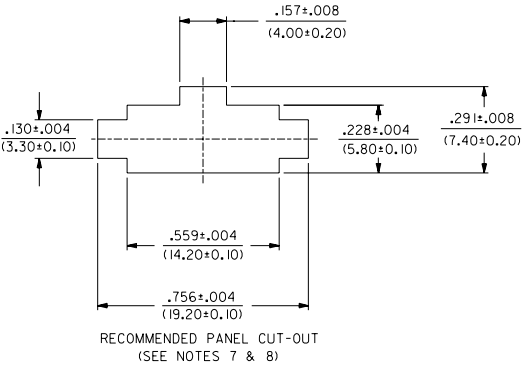


.165 (4.20) TYP.
RIB INDICATES CIRCUIT #1

LEGEND

- 5559-03P***
- MAT'L. (SEE NOTE 1)
 - MOUNTING & RAMP OPTION (SEE NOTE 5)
 - PLUG
 - CIRCUIT SIZE
 - BASE NUMBER

- NOTES:
1. MATERIAL; BLANK=NYLON 6/6, UL 94V-2, COLOR: NATURAL.
210=NYLON 6/6, UL 94V-0, COLOR: NATURAL.
BL=NYLON 6/6, UL 94V-2, COLOR: DYED BLACK.
 2. THIS PART IS FOR USE WITH MOLEX MALE TERMINAL NO. 5558-**.
 3. THIS PART MATES WITH RECEPTACLE NO 5557.
 4. PART IS DESIGNED IN METRIC.
 5. MOUNTING & RAMP OPTION: 2 = WITH EARS, WITH POSITIVE RAMP
3 = WITHOUT EARS, WITH POSITIVE RAMP
4 = WITH EARS, WITH PASSIVE RAMP
5 = WITHOUT EARS, WITH PASSIVE RAMP
 6. PRODUCT SPECIFICATION: PS-5556-001
 7. PANEL MOUNT VERSION IS FOR USE WITH .031/.079/(0.80/2.00) THICK PANELS.
 8. PANEL SHOULD BE PUNCHED IN THE DIRECTION OF CONNECTOR INSERTION.



PART NO.	ENG. NO.	CKT. NO.	MOUNT OPTION	MAT'L.	RAMP OPTION
39-01-4032	5559-03P2	3	2	BLANK	POSITIVE
39-01-4033	5559-03P2-210	3	2	210	POSITIVE
39-01-4036	5559-03P3	3	3	BLANK	POSITIVE
39-01-4037	5559-03P3-210	3	3	210	POSITIVE
39-01-6030	5559-03P2-BL	3	2	BL	POSITIVE
39-01-6031	5559-03P3-BL	3	3	BL	POSITIVE
50-29-0088	5559-03P4	3	4	BLANK	PASSIVE
50-29-0089	5559-03P5	3	5	BLANK	PASSIVE
50-29-0091	5559-03P4-210	3	4	210	PASSIVE
50-29-0092	5559-03P5-210	3	5	210	PASSIVE
50-29-0093	5559-03P4-BL	3	4	BL	PASSIVE
50-29-0094	5559-03P5-BL	3	5	BL	PASSIVE



MOLEX INCORPORATED

MINI-FIT JR. SERIES,
3 CKT. PLUG

DATE: 7/11/90

SEE CHART SD-5559-03P*

SCALE: 4 : 1

REV.	DESCRIPTION
I	DELETED 225 MAT'L. ECN *UCP2005-0704 CSTEWARD.09-30-04
HI	*03P3-225 WAS-03P2-225 UCP2004-2627 CSTEWARD.06-28-04
H	ADD 225 MAT'L. UCP2004-2482 6-14-04 SCHAFFER
G	ADD PASSIVE RAMP UCP2003-1642 1-29-2003 POLGAR
F	REV. PS NOTE UCP2003-0358 9/3/2002 SAMIEC
EI	ADDED PART NO'S. ECN *U60052 95-07-18 A.GUZIK
E	ADDED NOTES 7&8 ECN *U50196 94-09-12 A.GUZIK
D	REV. DRAWING PER ECN U40402 SEP 3-24-94
C	REDRAWN ON CAD ECR U00510 SEP 7-30-90 RJF