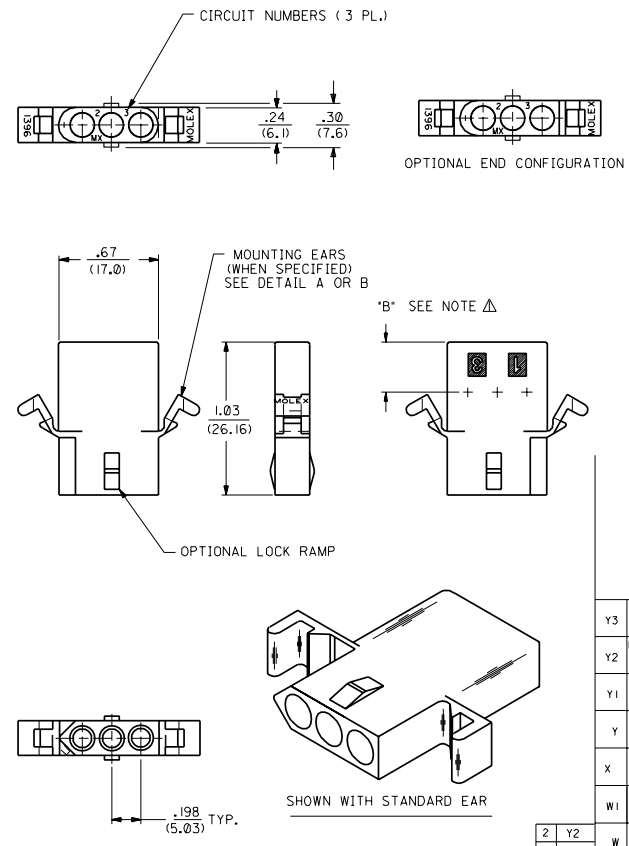
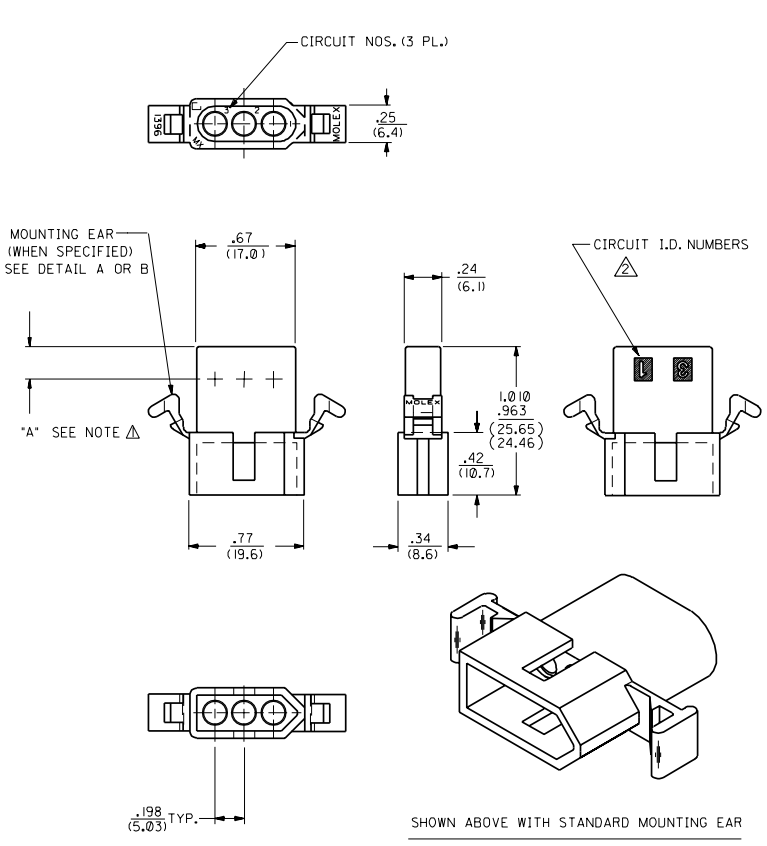


PLUG

RECEPTACLE



NOTES:
 Δ DIMENSION FROM THE BACK OF HOUSING TO THE END OF THE BRUSH ON THE WIRE INSERTED INTO THE HOUSING
 DIM "A" = .256/6.50 FOR 42477 & 42478 TERMINALS
 .216/5.49 FOR ALL OTHER .093 TERMINALS
 DIM "B" = .377/9.58 FOR 42477 & 42478 TERMINALS
 .337/8.56 FOR ALL OTHER .093 TERMINALS

MFG.	SH.	REV.	LTR.	REVISIONS
Y3				REVISED PER UCR2000-0683 3/1/00 DUS
Y2				REMOVE -R3, -R5 VER. PER ECR #UG 1479 6-10-96 RW
Y1				X-REMOVE 1396-R4 ECR U3 1583 C/C 10/26/93 RW
Y				ADD CKT. I.D. #'S PER ECR U3 0683 C/C 5/4/93 RW
X				REV. MNT'L SPECS. ECR U2-1491 10-08-92 A.GUZLIK
W1				ADD -D VERSIONS. ECR U1 1106 C/C 7/25/91 RW
2	Y2			REVISE ON CAD ECR #UB 1381
1	Y3	W		JUS 4-24-88 RW

DIMENSIONS SHOWN METRIC INCH

INCH	METRIC
3 PLACE ± .010	---
2 PLACE ± .014	+0.25
1 PLACE ---	±0.35

DRAFT WHERE APPLICABLE MUST REMAIN WITHIN DIMENSIONS

UNLESS OTHERWISE SPECIFIED TOLERANCES ANGULAR ± 1/2°

REVISION ONLY ON CAD SYSTEM

TITLE: .093/(2.36) HOUSING, PLUG & RECEPTACLE 3 CIRCUIT .198/(5.03) C

MOLEX INCORPORATED SHEET NO. DATE U.S.A. 1 of 2 4 / 3/88

PART NO. SD-1396-•

SEE SHEET 2

DRWG. NO. SD-1396-•

DRG. BY: JUS

CHKD. BY: RW

SCALE: 2:1

FILE NAME: S1396.3X1

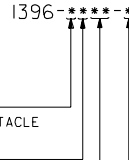
APP'D. RAS

REV. DRAWING CONTAINS INFORMATION THAT IS PROPRIETARY TO MOLEX INC. AND SHOULD NOT BE USED WITHOUT WRITTEN PERMISSION. CP C

13 12 11 10 9 8 7 6 5 4 3 2 1

PLUG		RECEPTACLE	
ORDER NO.	ENG. NO.	ORDER NO.	ENG. NO.
03-09-2031	I396-P	03-09-1031	I396-R
03-09-2032	I396-P1	03-09-1032	I396-R1
03-09-7032	I396-P1BK	03-09-1033	I396-R2
03-09-7031	I396-PBK	03-09-6033	I396-R2BK
PRELIMINARY	I396-P-B	03-09-6032	I396-R1BK
		03-09-6031	I396-RBK
		PRELIMINARY	I396-R-B
		PRELIMINARY	I396-R1-B
		03-09-1081	I396-R4

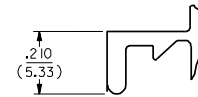
LEGEND:



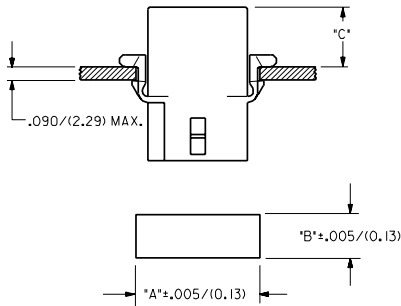
BLANK = WITH STANDARD EARS
 1 = WITHOUT EARS
 2 = RECEPTACLE WITHOUT EARS, WITHOUT LOCK RAMP
 3 = PLUG ONLY, W/ SIDE MOUNT (SEE SD-1396-P3)
 4 = WITH PREBENT EARS

COLOR: BLANK=NATURAL COLOR
 AM=AMBER BK=BLACK BU=BLUE
 BN=BROWN GY=GRAY GN=GREEN
 OR=ORANGE RD=RED YW=YELLOW

BLANK = NYLON 6/6, 94V-2
 B = NYLON TYPE 6/6, 94V-2, UV STABILIZED



DETAIL A
 STANDARD MOUNTING EAR
 (SCALE 4:1)

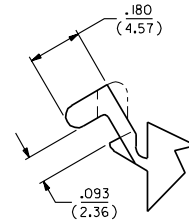


RECOMMENDED PANEL MOUNTING HOLE

HOUSING	DIM. "A"	DIM. "B"	"C" PREBENT EAR	"C" STANDARD EAR
PLUG	.933/(23.70)	.375/(9.53)	.40/(10.2)	.38/(9.7)
RECEPT.	.830/(21.08)	.312/(7.92)	.41/(10.4)	.39/(9.9)

NOTES:

- 1. MOLEX PRODUCT SPEC 02-09 APPLIES.
- △CIRCUIT I.D. NUMBERS ON SIDE OF HOUSING APPEAR ON PARTS FROM TOOLS BUILT AFTER 5/4/93.

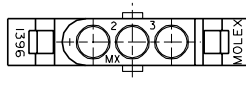
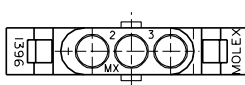


DETAIL B
 PREBENT MOUNTING EAR
 (SCALE 4:1)

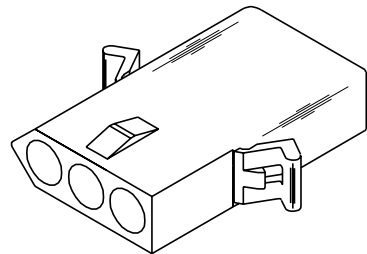
Y2 SEE SHEET I		DIMENSIONS SHOWN IN METRIC INCH		▽=0 ▽=0 REVISE ONLY ON CAD SYSTEM	
Y1 SEE SHEET I		UNLESS OTHERWISE SPECIFIED TOLERANCES ANGULAR ± 1/2°		TITLE .093/(2.36) HOUSINGS PLUG & RECEPTACLE 3 CIRCUIT, 198/(5.03)E	
X SEE SHEET I		INCH METRIC		MOLEX INCORPORATED SHEET NO. DATE	
W1 SEE SHEET I		3 PLACE ± .010 ---		U.S.A. 2 4 / 8 / 88	
W SEE SHEET I		2 PLACE ± .014 ± 0.25		SEE CHART SD-1396-*	
LTR. REVISIONS		1 PLACE --- ± 0.35		PART NO. DRWG. NO.	
LTR. REVISIONS		DRAFT WHERE APPLICABLE MUST REMAIN WITHIN DIMENSIONS		FILE NAME S13962K2	
LTR. REVISIONS		DRG. BY JJS DRW. BY RW		REV. SIZE	
LTR. REVISIONS		APP'D. RAS SCALE :		CP C	

13 12 11 10 9 8 7 6 5 4 3 2 1

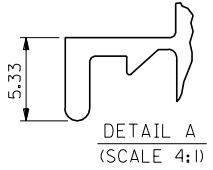
DWG. NO. SD-1396-001



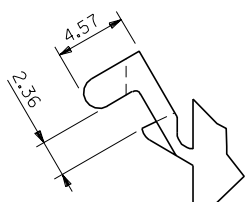
OPTIONAL END CONFIGURATION



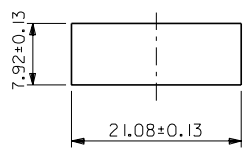
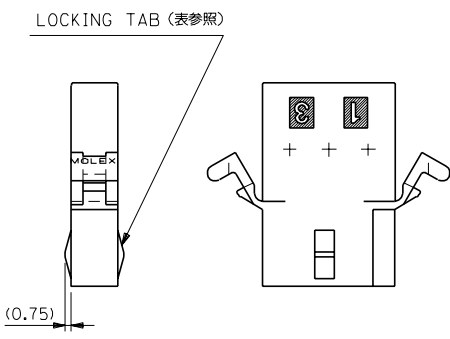
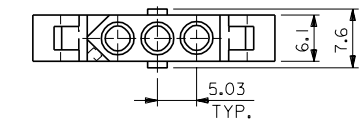
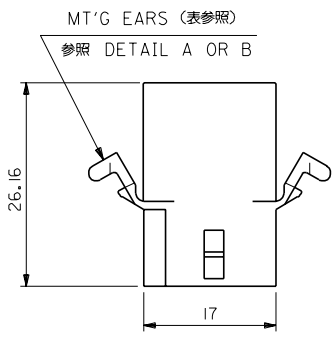
RECEPTACLE



DETAIL A (SCALE 4:1)



DETAIL B (SCALE 4:1)

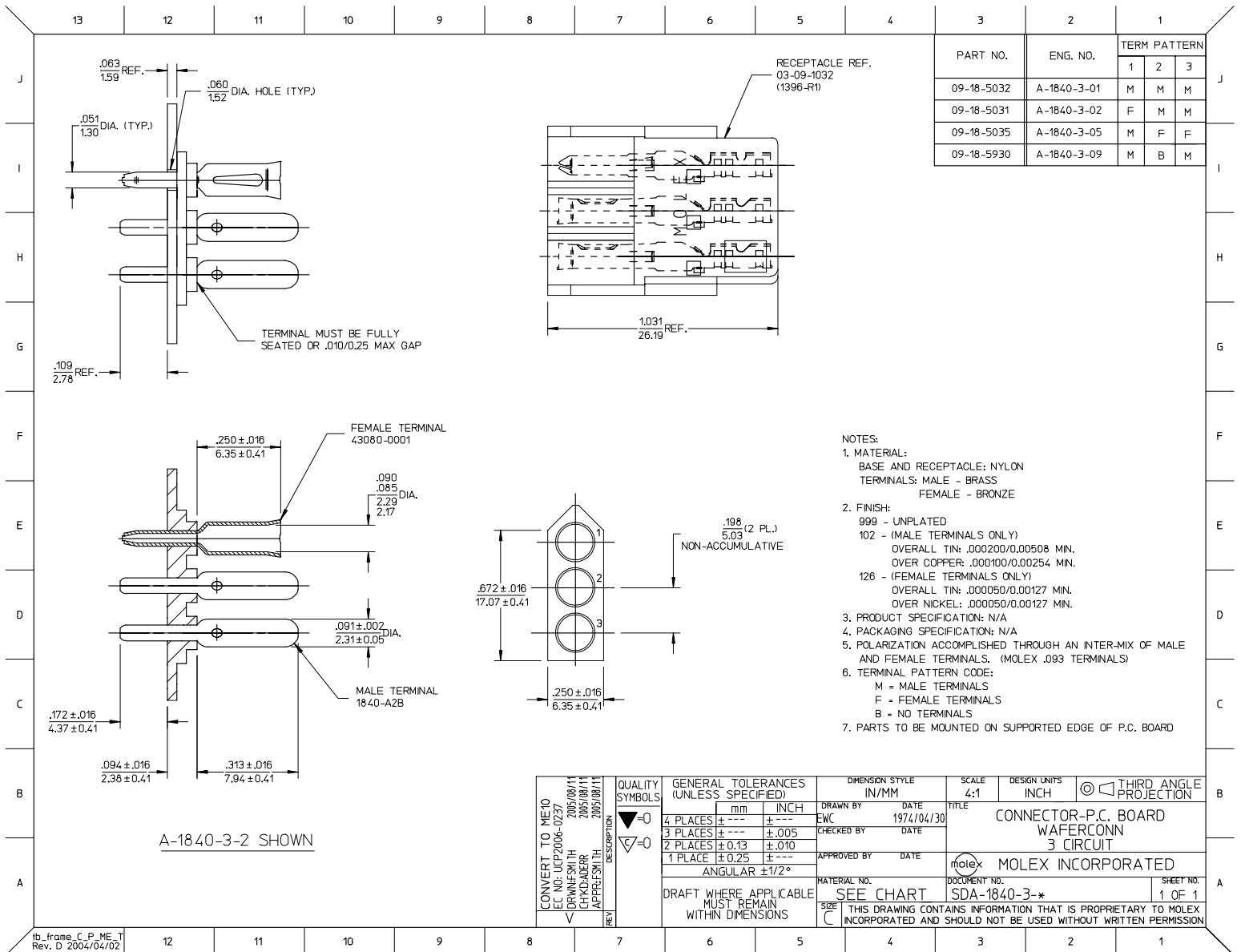


パネル取付穴寸法 (パネル厚 2.29最大)

I396R4	03-09-1081	有	WITH	有	WITH DETAIL B
I396R2	03-09-1033	無	WITHOUT	無	WITHOUT
I396R1	03-09-1032	有	WITH	無	WITHOUT
I396R	03-09-1031	有	WITH	有	WITH DETAIL A

ENG. NO. EDP NO. LOCKING TABS MT'G EARS

DO NOT SCALE DRAWING		EC NO. DRWN: CHK: APPR:		EC NO. DRWN: CHK: APPR:		EC NO. DRWN: CHK: APPR:		EC NO. DRWN: CHK: APPR:		EC NO. DRWN: CHK: APPR:		RELEASED EC NO. JC2001-0078 DRWN: K.KOHAMA 00/08/28 CHK: T.YAMAGUCHI APPR: M.FUKUSHIMA		MATERIAL 材料 NYLON66 94V-2		GENERAL TOLERANCES: (UNLESS SPECIFIED) 一般公差		SCALE 2 : 1		DESIGN UNITS <input checked="" type="checkbox"/> mm <input type="checkbox"/> INCH		MODEL NO. 03-09-1***		DIMENSIONS: <input type="checkbox"/> mm <input type="checkbox"/> INCH <input checked="" type="checkbox"/> mm ONLY		SHT REV REVISE ON CAD ONLY									
												FINISH 仕上り		WIRE RANGE 適用電線範囲		ANGLE 角度 +3°		DRAWN BY & DATE K.KOHAMA 00/08/28		CHECKED BY & DATE T.YAMAGUCHI 00/08/28		APPROVED BY & DATE M.FUKUSHIMA 00/08/28		TITLE: 3 CIRCUITS RCPT HSG (0.093 DIA TERMINAL)		MOLEX INCORPORATED		CAD FILENAME I396001.S01		MATERIAL NO. SEE NOTES		DRAWING NO. SD-1396-001		SHEET NO. 1 OF 1	
																								THIS DRAWING CONTAINS INFORMATION THAT IS PROPRIETARY TO MOLEX INCORPORATED AND SHOULD NOT BE USED WITHOUT WRITTEN PERMISSION.		SIZE B		EN-02(J1097) MXJ-54							



PART NO.	ENG. NO.	TERM PATTERN		
		1	2	3
09-18-5032	A-1840-3-01	M	M	M
09-18-5031	A-1840-3-02	F	M	M
09-18-5035	A-1840-3-05	M	F	F
09-18-5930	A-1840-3-09	M	B	M

- NOTES:
- MATERIAL:
BASE AND RECEPTACLE: NYLON
TERMINALS: MALE - BRASS
FEMALE - BRONZE
 - FINISH:
999 - UNPLATED
102 - (MALE TERMINALS ONLY)
OVERALL TIN: .00200/0.00508 MIN.
OVER COPPER: .000100/0.00254 MIN.
126 - (FEMALE TERMINALS ONLY)
OVERALL TIN: .000050/0.00127 MIN.
OVER NICKEL: .000050/0.00127 MIN.
 - PRODUCT SPECIFICATION: N/A
 - PACKAGING SPECIFICATION: N/A
 - POLARIZATION ACCOMPLISHED THROUGH AN INTER-MIX OF MALE AND FEMALE TERMINALS. (MOLEX .093 TERMINALS)
 - TERMINAL PATTERN CODE:
M = MALE TERMINALS
F = FEMALE TERMINALS
B = NO TERMINALS
 - PARTS TO BE MOUNTED ON SUPPORTED EDGE OF P.C. BOARD

CONVERT TO METRIC EC NO. UCP2006-0237 DRAWN BY: 2005/08/11 CHECKED BY: 2005/08/11 APPROVED BY: 2005/08/11	QUALITY SYMBOLS	GENERAL TOLERANCES (UNLESS SPECIFIED)	DIMENSION STYLE	SCALE	DESIGN UNITS	THIRD ANGLE PROJECTION
	▽=0	4 PLACES ± --- ± ---	IN/MM	4:1	INCH	
	▽=0	3 PLACES ± --- ± .005				
		2 PLACES ± .13 ± .10				
		1 PLACE ± 0.25 ± ---				
		ANGULAR ±1/2°				
		DRAFT WHERE APPLICABLE MUST REMAIN WITHIN DIMENSIONS				
			MATERIAL NO.	DOCUMENT NO.		SHEET NO.
			SEE CHART	SDA-1840-3-*		1 OF 1
			SIZE C	THIS DRAWING CONTAINS INFORMATION THAT IS PROPRIETARY TO MOLEX INCORPORATED AND SHOULD NOT BE USED WITHOUT WRITTEN PERMISSION		

tb_frame_C_P_ME_T
Rev. D 2004/04/02