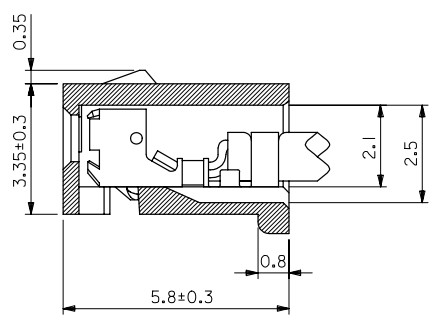
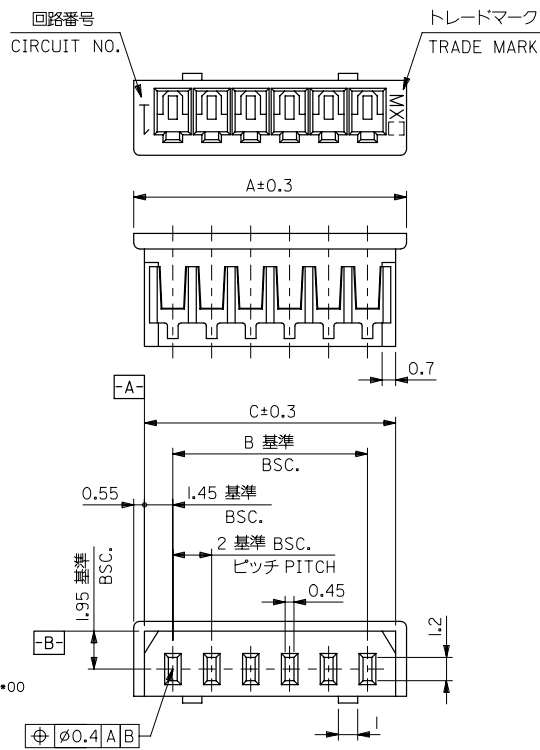


DWG. IC. SD-51004-***00



ターミナル装着状態
TERMINAL ASSEMBLY DRAWING
(10:1)

- 注) NOTE.
- 適合ターミナル: 50011-8*00
ACCEPTS TERMINAL
 - 嵌合相手: 53014-***10
MATES WITH 53015-***10
53025-***10

32	30.9	28	51004-1500	15
30	28.9	26	-1400	14
28	26.9	24	-1300	13
26	24.9	22	-1200	12
24	22.9	20	-1100	11
22	20.9	18	-1000	10
20	18.9	16	-0900	9
18	16.9	14	-0800	8
16	14.9	12	-0700	7
14	12.9	10	-0600	6
12	10.9	8	-0500	5
10	8.9	6	-0400	4
8	6.9	4	-0300	3
6	4.9	2	51004-0200	2
A	C	B	ENG.NO.	種数 CIRCUIT

2種の場合
IN CASE OF 2 CIRCUIT HSG.

DO NOT SCALE DRAWING		EC NO. DRWN: CH/K: APPR:		EC NO. DRWN: CH/K: APPR:		EC NO. DRWN: CH/K: APPR:		EC NO. DRWN: CH/K: APPR:		EC NO. JC2000-0629 DRWN: K.KOHAMA 00/3/28 CH/K: T.YAMAGUCHI 00/3/30 APPR: M.FUKUSHIMA 00/3/30		REDRAWN		MATERIAL 材料 PBT. UL94V-0 POLYESTER UL94V-0		GENERAL TOLERANCES: (UNLESS SPECIFIED) 一般公差		SCALE 5:1		DESIGN UNITS <input checked="" type="checkbox"/> mm <input type="checkbox"/> INCH		THIRD ANGLE PROJECTION <input type="checkbox"/> mm <input type="checkbox"/> INCH <input checked="" type="checkbox"/> mm ONLY		DIMENSIONS: <input type="checkbox"/> mm <input type="checkbox"/> INCH		SHT REV REVISE ON CAD ONLY					
										FINISH 仕上げ //		WIRE RANGE 適用電線範囲 //		INS. RANGE 被覆外径 //		10 UNDER 未滿 +0.2		DRAWN BY & DATE K.KOHAMA 00/ 3/28		CHECKED BY & DATE T.YAMAGUCHI 00/ 3/30		APPROVED BY & DATE M.FUKUSHIMA 00/ 3/30		TITLE: 2.0 LOW-PRO REC. HSG.		MATERIAL NO. 51004-***00		DRAWING NO. SD-51004-***00		SHEET NO. 1	
																ANGLE 角度 +3°		CAD FILENAME S51004.S01		MATERIAL NO. 51004-***00		DRAWING NO. SD-51004-***00		SHEET NO. 1		SIZE B					
																		THIS DRAWING CONTAINS INFORMATION THAT IS PROPRIETARY TO MOLEX INCORPORATED AND SHOULD NOT BE USED WITHOUT WRITTEN PERMISSION.						EN-02(J097) MXJ-54							