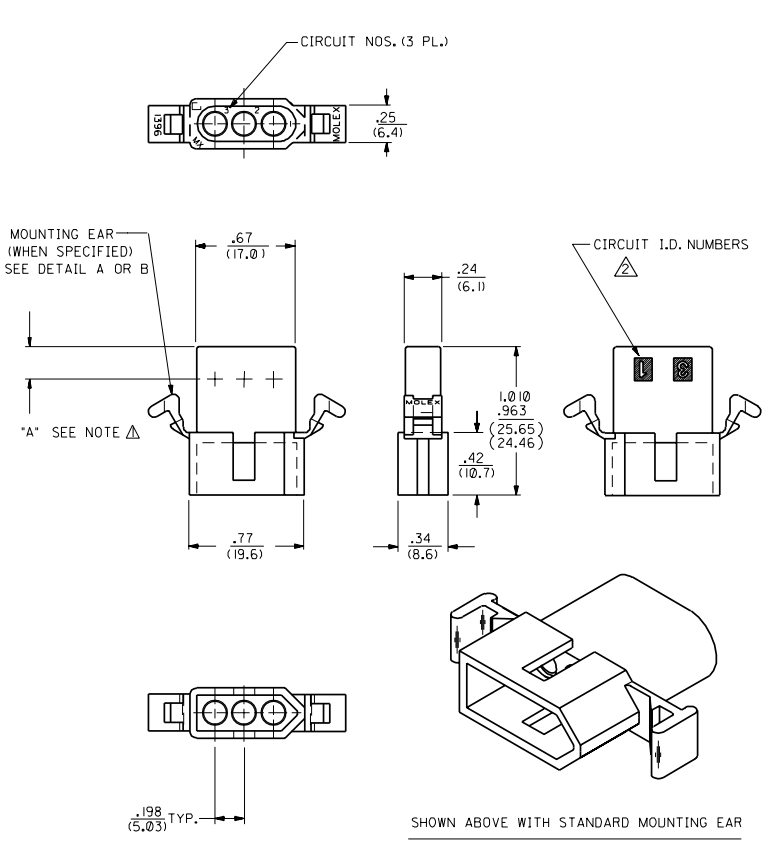
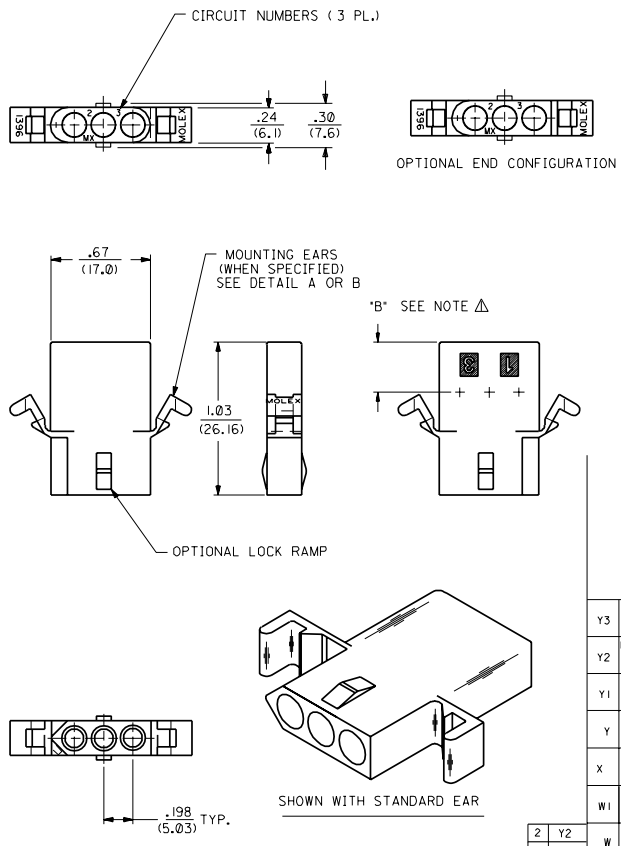


PLUG



SHOWN ABOVE WITH STANDARD MOUNTING EAR

RECEPTACLE



SHOWN WITH STANDARD EAR

NOTES:
 Δ DIMENSION FROM THE BACK OF HOUSING TO THE END OF THE BRUSH ON THE WIRE INSERTED INTO THE HOUSING
 DIM "A": .256/6.50 FOR 42477 & 42478 TERMINALS
 .216/5.49 FOR ALL OTHER .093 TERMINALS
 DIM "B": .377/9.58 FOR 42477 & 42478 TERMINALS
 .337/8.56 FOR ALL OTHER .093 TERMINALS

MFG.	SH.	REV.	LTR.	REVISIONS
Y3				REVISED PER UCR2000-0683 3/1/00 DUS
Y2				REMOVE -R3, -R5 VER. PER ECR #UG 1479 6-10-96 RW
Y1				X-REMOVE 1396-R4 ECR U3 1583 C/C 10/26/93 RW
Y				ADD CKT. I.D. #15 PER ECR U3 0683 C/C 5/4/93 RW
X				REV. MNT'L SPECS. ECR U2-1491 10-08-92 A.GUZLIK
W1				ADD -D VERSIONS. ECR U1 1106 C/C 7/25/91 RW
2	Y2			REVISE ON CAD ECR #UB 1381
1	Y3	W		JUS 4-24-88 RW

REVISIONS

UNLESS OTHERWISE SPECIFIED TOLERANCES ANGULAR 1/2°

D	PLACE	±	INCH	METRIC
3	PLACE	±	.010	---
2	PLACE	±	.014	+0.25
1	PLACE	---	±	0.35

DRAFT WHERE APPLICABLE MUST REMAIN WITHIN DIMENSIONS

MOLEX INCORPORATED
 1396
 6852

PART NO. SD-1396-
 SEE SHEET 2 OF 2
 DATE 4/3/88

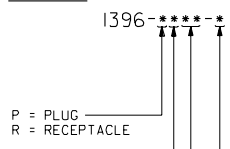
DESIGNED BY JUS
 DRAWN BY RW
 SCALE 2:1
 FILE NAME S1396.3X1
 APP'D. RAS

REV. DRAWING CONTAINS INFORMATION THAT IS PROPRIETARY TO MOLEX INC. AND SHOULD NOT BE USED WITHOUT WRITTEN PERMISSION CP C

13 12 11 10 9 8 7 6 5 4 3 2 1

PLUG		RECEPTACLE	
ORDER NO.	ENG. NO.	ORDER NO.	ENG. NO.
03-09-2031	I396-P	03-09-1031	I396-R
03-09-2032	I396-P1	03-09-1032	I396-R1
03-09-7032	I396-P1BK	03-09-1033	I396-R2
03-09-7031	I396-PBK	03-09-6033	I396-R2BK
PRELIMINARY	I396-P-B	03-09-6032	I396-R1BK
		03-09-6031	I396-RBK
		PRELIMINARY	I396-R-B
		PRELIMINARY	I396-R1-B
		03-09-1081	I396-R4

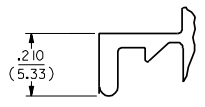
LEGEND:



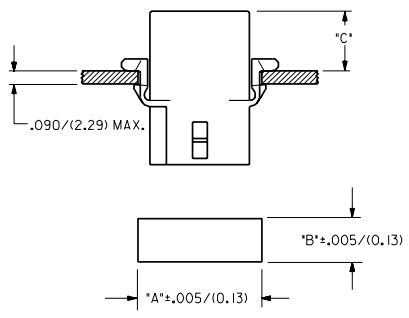
BLANK = WITH STANDARD EARS
 1 = WITHOUT EARS
 2 = RECEPTACLE WITHOUT EARS, WITHOUT LOCK RAMP
 3 = PLUG ONLY, W/ SIDE MOUNT (SEE SD-1396-P3)
 4 = WITH PREBENT EARS

COLOR: BLANK=NATURAL COLOR
 AM=AMBER BK=BLACK BU=BLUE
 BN=BROWN GY=GRAY GN=GREEN
 OR=ORANGE RD=RED YW=YELLOW

BLANK = NYLON 6/6, 94V-2
 B = NYLON TYPE 6/6, 94V-2, UV STABILIZED



DETAIL A
 STANDARD MOUNTING EAR
 (SCALE 4:1)

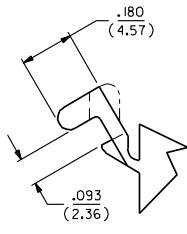


RECOMMENDED PANEL MOUNTING HOLE

HOUSING	DIM. "A"	DIM. "B"	"C" PREBENT EAR	"C" STANDARD EAR
PLUG	.933/(23.70)	.375/(9.53)	.40/(10.2)	.38/(9.7)
RECEPT.	.830/(21.08)	.312/(7.92)	.41/(10.4)	.39/(9.9)

NOTES:

- 1. MOLEX PRODUCT SPEC 02-09 APPLIES.
- △CIRCUIT I.D. NUMBERS ON SIDE OF HOUSING APPEAR ON PARTS FROM TOOLS BUILT AFTER 5/4/93.

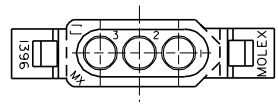


DETAIL B
 PREBENT MOUNTING EAR
 (SCALE 4:1)

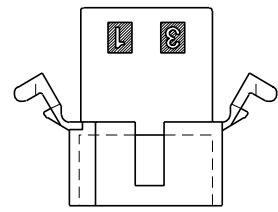
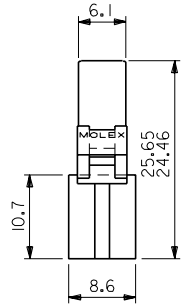
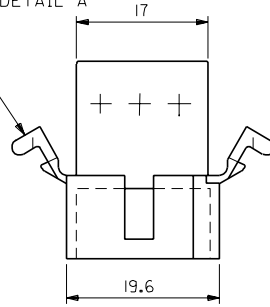
Y2 SEE SHEET 1		DIMENSIONS SHOWN IN METRIC INCH		▽=0 ▽=0 REVISE ONLY ON CAD SYSTEM	
Y1 SEE SHEET 1		UNLESS OTHERWISE SPECIFIED TOLERANCES ANGULAR ± 1/2°		TITLE .093/(2.36) HOUSINGS PLUG & RECEPTACLE 3 CIRCUIT, 198/(5.03)E	
X SEE SHEET 1		INCH METRIC		MOLEX INCORPORATED SHEET NO. 2 DATE 4/8/88	
W1 SEE SHEET 1		3 PLACE ± .010 ---		PART NO. SD-1396-*	
W SEE SHEET 1		2 PLACE ± .014 ± 0.25		DRAWING NO.	
LTR. REVISIONS		1 PLACE --- ± 0.35		FILE NAME S13962K2	
LTR. REVISIONS		DRAFT WHERE APPLICABLE MUST REMAIN WITHIN DIMENSIONS		REV. SIZE CP C	
		DRAWN BY JJS		NO DRAWING CONTAINS INFORMATION THAT IS PROPRIETARY TO MOLEX INC. AND SHOULD NOT BE USED WITHOUT WRITTEN PERMISSION.	
		CHECKED BY RW			
		APP'D. RAS			

13 12 11 10 9 8 7 6 5 4 3 2 1

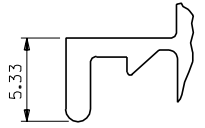
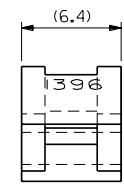
DWG. NO. SD-1396-002



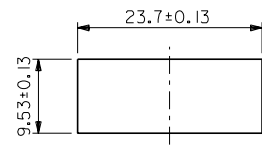
MT'G EARS (表参照)
参照 DETAIL A



PLUG



DETAIL A
(SCALE 4:1)



パネル取付寸法
(パネル厚 2.29最大)

1396P1	03-09-2032	無	WITHOUT
1396P	03-09-2031	有	WITH
ENG. NO.	EDP NO.		MT'G EARS

DO NOT SCALE DRAWING

EC NO. DRWN: CHK: APPR:	EC NO. DRWN: CHK: APPR:	EC NO. DRWN: CHK: APPR:	EC NO. DRWN: CHK: APPR:	EC NO. DRWN: CHK: APPR:
----------------------------------	----------------------------------	----------------------------------	----------------------------------	----------------------------------

RELEASED
EC NO. JC2001-0078
DRWN: K.KOHAMA 00/08/28
CHK: T.YAMAGUCHI
APPR: M.FUKUSHIMA

MATERIAL 材料	NYLON66 94V-2
FINISH 仕上り	
WIRE RANGE 適用電線範囲	
INS. RANGE 被覆径	

GENERAL TOLERANCES: (UNLESS SPECIFIED) 一般公差	
10 UNDER 未満	+0.25 ±0.25
10 OVER 以上	+0.3 ±0.25
30 UNDER 未満	+0.3 ±0.25
30 OVER 以上	+0.35 ±0.25
ANGLE 角度	+3°

SCALE 2:1	DESIGN UNITS <input checked="" type="checkbox"/> mm <input type="checkbox"/> INCH
DRAWN BY & DATE K.KOHAMA 00/08/28	CHECKED BY & DATE T.YAMAGUCHI 05/08/28
APPROVED BY & DATE M.FUKUSHIMA 00/08/28	
CAD FILENAME 1396002.S01	

MODEL NO. 03-09-2***	DIMENSIONS: <input type="checkbox"/> mm <input type="checkbox"/> INCH <input checked="" type="checkbox"/> mm ONLY	SHT REV
THIRD ANGLE PROJECTION	TITLE: 3 CIRCUITS PLUG HSG (0.093 DIA TERMINAL)	REVISE ON CAD ONLY
MATERIAL NO. SEE NOTES	MOLEX INCORPORATED	
DRAWING NO. SD-1396-002		SHEET NO. 1 OF 1
THIS DRAWING CONTAINS INFORMATION THAT IS PROPRIETARY TO MOLEX INCORPORATED AND SHOULD NOT BE USED WITHOUT WRITTEN PERMISSION.		SIZE B3

EN-02(J1097) MXJ-54