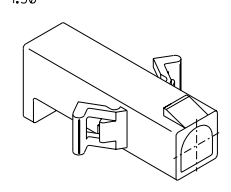
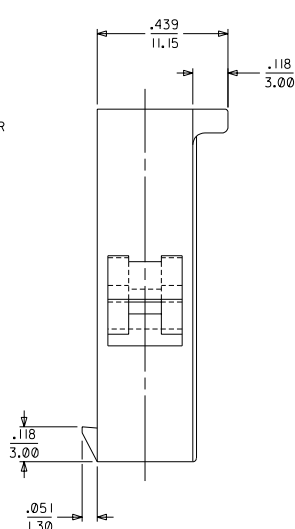
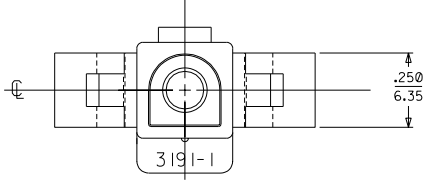
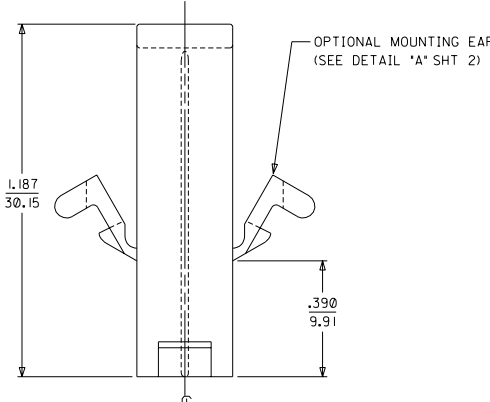
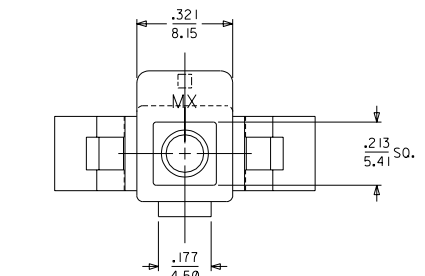
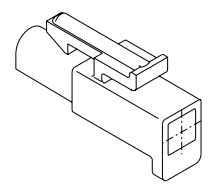
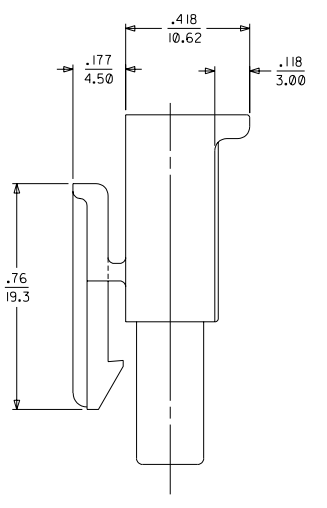
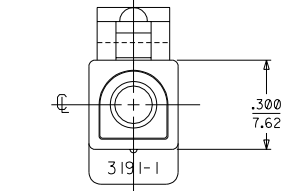
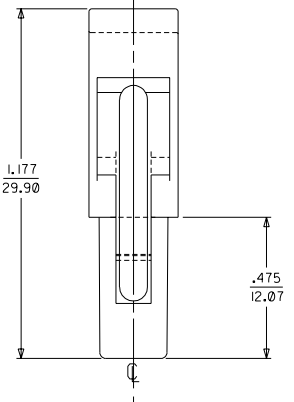
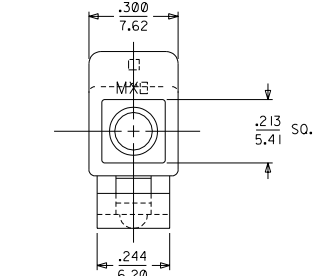


13 12 11 10 9 8 7 6 5 4 3 2 3191



PLUG



RECEPTACLE

OBSOLETE 3191-1R10 EC NO. LCP2004-0423 DRWN: ELHAG 09/03/03 CHK: ELHAG 09/03/03 APPR: F SMITH 09/10/03	QUALITY SYMBOLS	GENERAL TOLERANCES (UNLESS SPECIFIED)	SCALE 4:1	DESIGN UNITS	THIRD ANGLE PROJECTION	DIMENSIONS:	SHT	REV
	MAJOR	mm INCH	mm INCH	mm INCH	mm INCH	mm INCH	1	E
	CRITICAL	4 PLACES ±0.--- ±.---	3 PLACES ±0. ±.010	2 PLACES ±0.25 ±.014	1 PLACE ±0.36 ±.	ANGULAR: ± 1°	2	E
	DESCRIPTION	DRAWN BY & DATE JBS 06/10/03		CHECKED BY & DATE BW 06/13/03		APPROVED BY & DATE BW 06/16/03		TITLE: .093/(2.36) HOUSING, PLUG AND RECEPTACLE, 1 - CIRCUIT
REV	CAD FILENAME SD-3191-1.DGN		MATERIAL NO. SEE CHART		DRAWING NO. SD-3191-1*		SHEET NO. 1 of 2	
DRAFT WHERE APPLICABLE MUST REMAIN WITHIN DIMENSIONS			THIS DRAWING CONTAINS INFORMATION THAT IS PROPRIETARY TO MOLEX INCORPORATED AND SHOULD NOT BE USED WITHOUT WRITTEN PERMISSION.			MOLEX INCORPORATED		

12 11 10 9 8 7 6 5 4 3 2 1

PLUG		RECEPTACLE		OBSOLETE
PART NO.	ENG. NO.	PART NO.	ENG. NO.	
19-09-2018	3191-IP	19-09-1019	3191-IR1	
19-09-2019	3191-IP1	19-09-1016	3191-IR1-201	
19-09-2017	3191-IP-201	19-09-6010	3191-IR1RD	
19-09-2016	3191-IP1-201	19-09-6011	3191-IR1BU	
19-09-2015	3191-IPRD			

LEGEND

3191-1****-*

CIRCUIT SIZE

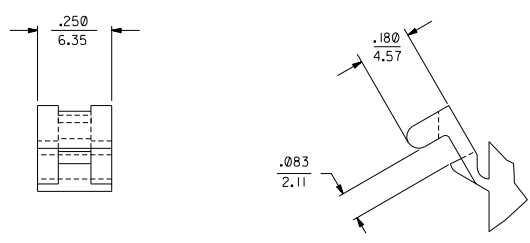
P = PLUG
R = RECEPTACLE

EARS: BLANK = WITH PREBENT EARS (PLUG ONLY)
I = WITHOUT EARS

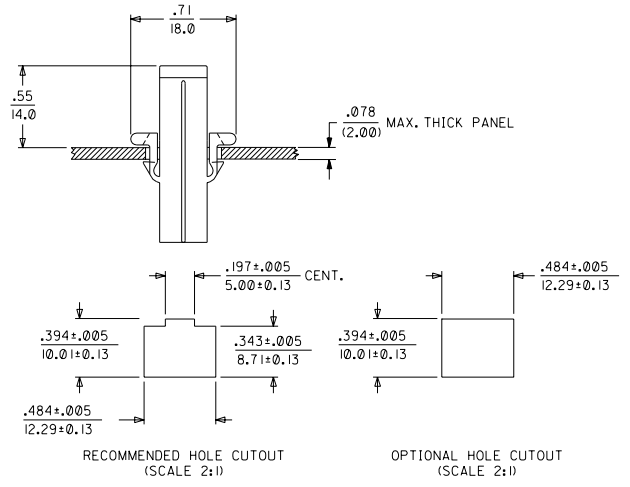
COLOR: BLANK = NATURAL COLOR

AM=AMBER BK=BLACK BU=BLUE
BN=BROWN GY=GRAY GN=GREEN
OR=ORANGE RD=RED YW=YELLOW

MATERIAL: PER NOTE 1.



DETAIL "A"
PREBENT MOUNTING EAR
(SCALE 4:1)



NOTES:

- MATERIAL:
"BLANK" - NYLON TYPE 6/6, 94V-2, COLOR: NATURAL.
201 - NYLON TYPE 6/6, 94V-0, COLOR: WHITE.
- FINISH: NONE.

		DIMENSIONS SHOWN IN METRIC INCH		▽ = 0		REVISIONS ONLY ON CAD SYSTEM	
		UNLESS OTHERWISE SPECIFIED TOLERANCES: ANGULAR - DAT 10		TITLE		.093/(2.36) HOUSINGS PLUG AND RECEPTACLE CIRCUIT	
		DRAFT WHERE APPLICABLE MUST REMAIN WITHIN DIMENSIONS		PART NO.		MOLEX INCORPORATED	
		DRG. BY: JBS		DWG. BY: BW		SHEET NO. 2	
		APP'D. BY: BW		SCALE: --:--		DATE: 06/10/03	
		LTR. REVISIONS		LTR. REVISIONS		NO DRAWING CONTAINS INFORMATION THAT IS PROPRIETARY TO MOLEX INC. AND SHOULD NOT BE USED WITHOUT WRITTEN PERMISSION.	