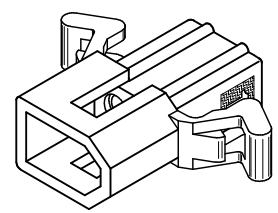
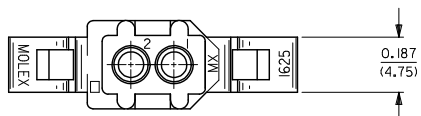
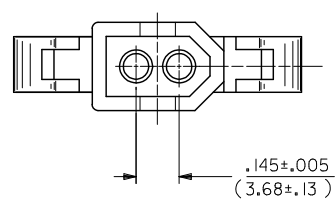
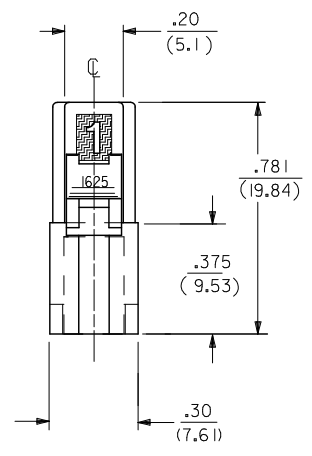
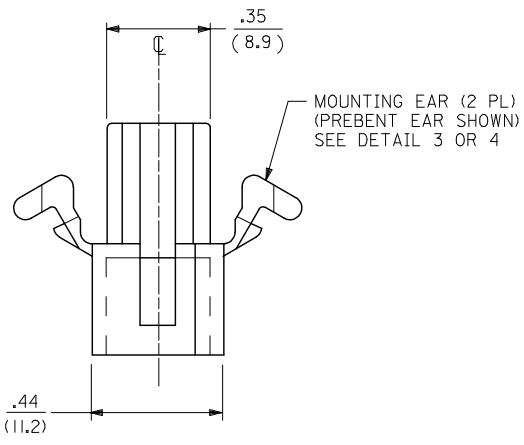
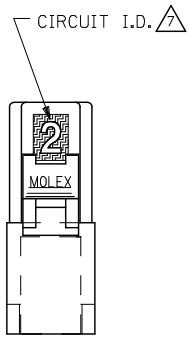


13 12 11 10 9 8 7 6 5 4 3 2 1



PLUG HOUSING

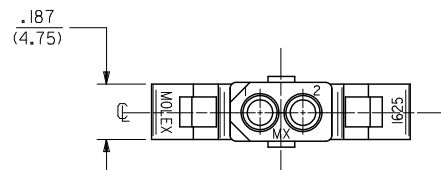


3	AE1
2	AE1
1	AE1

ADD NEW TOOL STEP EC NO. UCP2007-1980 2007/04/13 DRAWN BY JJS 2007/04/16 CHECKED BY CHKCHALHAG 2007/04/19 APPROVED BY APPRESMITH	QUALITY SYMBOLS ▽=0 ▽=0	GENERAL TOLERANCES (UNLESS SPECIFIED)		DIMENSION STYLE IN/MM		SCALE 4:1	DESIGN UNITS INCH	THIRD ANGLE PROJECTION
		4 PLACES ±--- ±---	mm	INCH	DRAWN BY JJS	DATE 1988/04/13	TITLE PLUG AND RECEPTACLE 2 CIRCUIT HOUSINGS .062/(1.57) DIA. MOLEX INCORPORATED	
		3 PLACES ±--- ±.007			CHECKED BY RW	DATE 1988/04/13		
		2 PLACES ±0.18 ±.010			APPROVED BY RAS	DATE 1988/04/13		
1 PLACE ±0.25 ±---			MATERIAL NO. RAS	DOCUMENT NO. SD-1625-2*	SHEET NO. 1 OF 3			
DRAFT WHERE APPLICABLE MUST REMAIN WITHIN DIMENSIONS		SEE CHART		THIS DRAWING CONTAINS INFORMATION THAT IS PROPRIETARY TO MOLEX INCORPORATED AND SHOULD NOT BE USED WITHOUT WRITTEN PERMISSION				

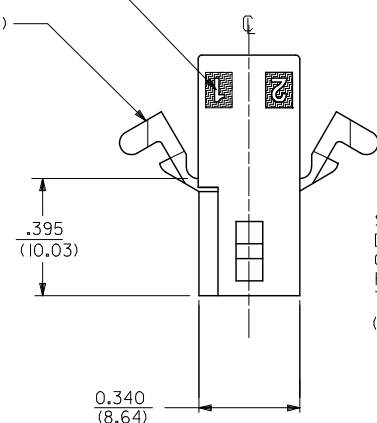
12 11 10 9 8 7 6 5 4 3 2 1

13 12 11 10 9 8 7 6 5 4 3 2 1

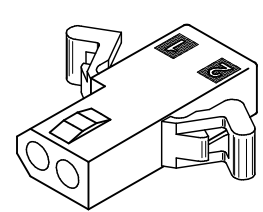
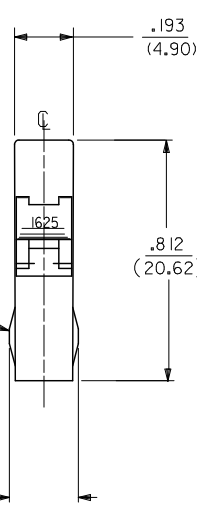


7  $\nabla$  CIRCUIT I.D.

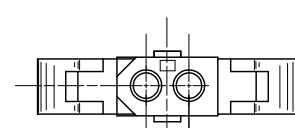
MOUNTING EAR (2 PL)  
(WHEN SPECIFIED)  
SEE DETAIL 3 OR 4



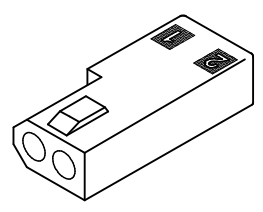
STANDARD  
DETENT SHOWN.  
OPTIONAL  
POSITIVE LOCK  
THIS SIDE ONLY  
(SEE NOTE  $\nabla$ )



RECEPTACLE HOUSING  
(1625-2R2 SHOWN)



OPTIONAL POSITIVE LOCK  
ONE SIDE ONLY  
SCALE 4:1



RECEPTACLE HOUSING  
(1625-2R3 SHOWN)

<b>UPDATE TITLE BLOCK</b> EC NO. UCP2007-1980 DRAWN BY: JJS 2007/04/13 CHECKED BY: RW 2007/04/16 APPROVED BY: RAS 2007/04/19	<b>QUALITY SYMBOLS</b> $\nabla=0$ $\nabla=0$	<b>GENERAL TOLERANCES (UNLESS SPECIFIED)</b>		<b>DIMENSION STYLE</b> IN/MM		SCALE 4:1	DESIGN UNITS INCH	THIRD ANGLE PROJECTION	
		4 PLACES ±.007 ±.007	mm	INCH	DRAWN BY: JJS DATE: 1988/04/14 CHECKED BY: RW DATE: 1988/04/14 APPROVED BY: RAS DATE: 1988/04/14		TITLE PLUG & RECEPTACLE 2 CIRCUIT HOUSINGS .062/(1.57) DIA.		
		3 PLACES ±.018 ±.010	DRAFT WHERE APPLICABLE MUST REMAIN WITHIN DIMENSIONS		SEE CHART		MATERIAL NO. SD-1625-2*		SHEET NO. 2 OF 3
		2 PLACES ±0.25 ±.007	MOLEX INCORPORATED		THIS DRAWING CONTAINS INFORMATION THAT IS PROPRIETARY TO MOLEX INCORPORATED AND SHOULD NOT BE USED WITHOUT WRITTEN PERMISSION		DOCUMENT NO.		
1 PLACE ±.025 ±.007	ANGULAR ± 1°		SIZE C		MOLEX INCORPORATED		THIS DRAWING CONTAINS INFORMATION THAT IS PROPRIETARY TO MOLEX INCORPORATED AND SHOULD NOT BE USED WITHOUT WRITTEN PERMISSION		

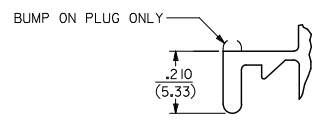
12 11 10 9 8 7 6 5 4 3 2 1

PLUG		RECEPTACLE	
PART NO.	ENG. NO.	PART NO.	ENG. NO.
03-06-7023	I625-2P1BK	03-06-6023	I625-2R1BK
03-06-2023	I625-2P1	03-06-1020	I625-2R3
03-06-7027	I625-2P2BK	03-06-1023	I625-2R1
03-06-2024	I625-2P2	03-06-1022	I625-2R2
		03-06-6025	I625-2R2RD
		03-06-6026	I625-2R2GN
		03-06-6027	I625-2R2BU
		03-06-6022	I625-2R2BK
		03-06-6028	I625-2R1BU
			<b>OBSOLETE</b>
			<b>OBSOLETE</b>
			<b>OBSOLETE</b>
			<b>OBSOLETE</b>
			<b>OBSOLETE</b>
			<b>OBSOLETE</b>

**RECEPTACLE LEGEND:**  
**I625-2R\*\***  
 CIRCUIT SIZE  
 R = RECEPTACLE

BLANK = WITH STANDARD MOUNTING EARS; WITH DETENTS  
 1 = WITHOUT MOUNTING EARS; WITH DETENTS  
 2 = WITH PREBENT MOUNTING EARS; WITH DETENTS  
 3 = W/O MOUNTING EARS, WITH POSITIVE LOCK

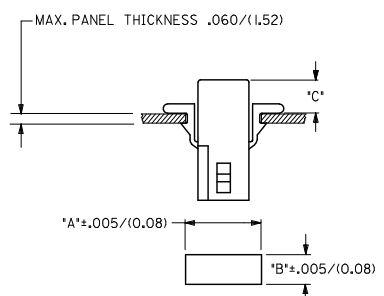
BLANK = NATURAL  
 AM=AMBER BK=BLACK BU=BLUE  
 BN=BROWN CY=GRAY GN=GREEN  
 OR=ORANGE RD=RED YW=YELLOW



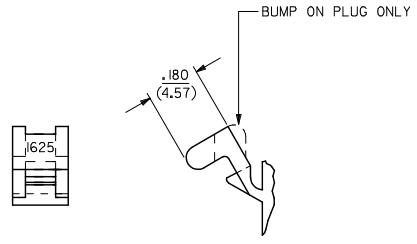
**PLUG LEGEND:**  
**I625-2P\*\***  
 CIRCUIT SIZE  
 P = PLUG

1 = WITHOUT MOUNTING EARS  
 2 = WITH PREBENT MOUNTING EARS  
 3 = W/O MOUNTING EARS, WITH POSITIVE LOCK

BLANK = NATURAL  
 AM=AMBER BK=BLACK BU=BLUE  
 BN=BROWN CY=GRAY GN=GREEN  
 OR=ORANGE RD=RED YW=YELLOW



HOUSING	DIM. 'A'	DIM. 'B'	PREBENT EAR DIM. 'C'	STD. EAR DIM. 'C'
PLUG	.609 (15.47)	.318 (8.08)	.24 (6.0)	.24 (6.1)
RECEPTACLE	.505 (12.83)	.265 (6.73)	.25 (6.4)	.25 (6.4)



- NOTES:
- MATERIAL - NYLON TYPE 6/6, 94V-2
  - FINISH: NONE
  - PRODUCT SPECIFICATION: PS-02-06
  - PACKAGING SPECIFICATION: PK-1625-001
  - POSITIVE LOCK VERSION REQUIRES USE OF A SCREWDRIVER OR SIMILAR TOOL TO LIFT SHROUD ON PLUG HOUSING IN ORDER TO UNMATE RECEPTACLE HOUSINGS
  - HOUSINGS FOR USE WITH MOLEX .062/(1.57) DIA. SERIES TERMINALS.
  - CIRCUIT I.D. NUMBERS ON SIDE OF HOUSING APPEAR ON PARTS FROM TOOLS BUILT AFTER 07/01/1991.
  - THIS PART CONFORMS TO CLASS B REQUIREMENTS OF COSMETIC SPECIFICATION PS-45499-002.

<b>UPDATE NOTES</b> EC NO. UCP2007-1980 DRAWN BY: JJS CHECKED BY: RW APPROVED BY: RAS DATE: 2007/04/13 DATE: 2007/04/16 DATE: 2007/04/19	<b>QUALITY SYMBOLS</b> 	<b>GENERAL TOLERANCES (UNLESS SPECIFIED)</b>		<b>DIMENSION STYLE</b> IN/MM		SCALE 2:1	DESIGN UNITS INCH	THIRD ANGLE PROJECTION	
		4 PLACES ± .007 ± .007 3 PLACES ± .018 ± .010 2 PLACES ± 0.25 ± .007 1 PLACE ± 0.25 ± .007	mm INCH ± .007 ± .007 ± .018 ± .010 ± 0.25 ± .007	DRAWN BY: JJS DATE: 1988/04/14	CHECKED BY: RW DATE: 1988/04/14	<b>TITLE</b> PLUG & RECEPTACLE 2 CIRCUIT HOUSINGS .062(1.57)DIA.			
		ANGULAR ± 1°		APPROVED BY: RAS DATE: 1988/04/14	<b>MOLEX INCORPORATED</b>				
		DRAFT WHERE APPLICABLE MUST REMAIN WITHIN DIMENSIONS		MATERIAL NO. SEE CHART SIZE C	DOCUMENT NO. SD-1625-2*	SHEET NO. 3 OF 3			