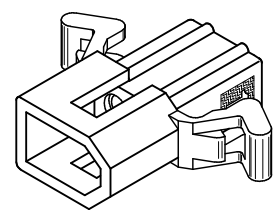
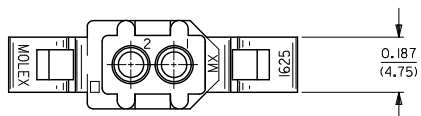
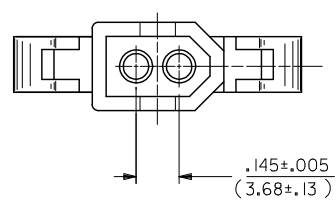
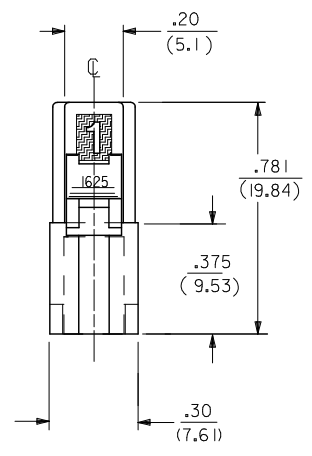
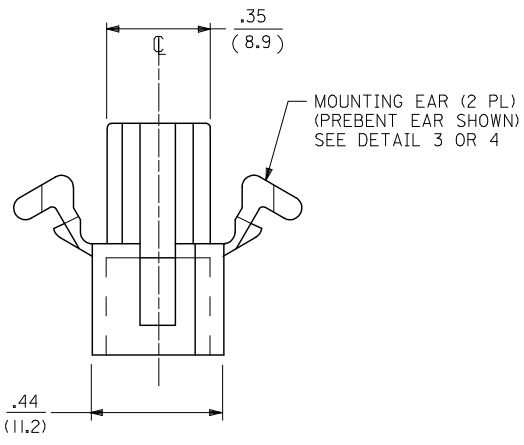
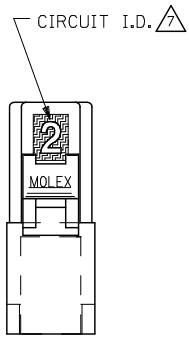


13 12 11 10 9 8 7 6 5 4 3 2 1



PLUG HOUSING



3	AE1
2	AE1
1	AE1

ADD NEW TOOL STEP EC NO. UCP2007-1980 2007/04/13 DRAWN BY JJS 2007/04/16 CHKD BY RW 2007/04/19 APPROVED BY RAS	QUALITY SYMBOLS $\nabla=0$ $\triangle=0$	GENERAL TOLERANCES (UNLESS SPECIFIED)		DIMENSION STYLE IN/MM		SCALE 4:1	DESIGN UNITS INCH	THIRD ANGLE PROJECTION	
		4 PLACES	±---	±---	DRAWN BY	DATE	TITLE PLUG AND RECEPTACLE 2 CIRCUIT HOUSINGS .062/(1.57) DIA.		
		3 PLACES	±---	±.007	CHECKED BY	DATE	MOLEX INCORPORATED		
		2 PLACES	±0.18	±.010	APPROVED BY	DATE	MATERIAL NO. SD-1625-2* DOCUMENT NO.		
1 PLACE	±0.25	±---	ANGULAR ± 1°		SEE CHART		SHEET NO. 1 OF 3		
DRAFT WHERE APPLICABLE MUST REMAIN WITHIN DIMENSIONS			THIS DRAWING CONTAINS INFORMATION THAT IS PROPRIETARY TO MOLEX INCORPORATED AND SHOULD NOT BE USED WITHOUT WRITTEN PERMISSION						

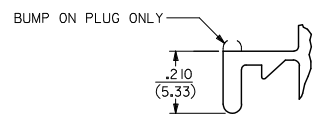
12 11 10 9 8 7 6 5 4 3 2 1

PLUG		RECEPTACLE	
PART NO.	ENG. NO.	PART NO.	ENG. NO.
03-06-7023	I625-2P1BK	03-06-6023	I625-2R1BK
03-06-2023	I625-2P1	03-06-1020	I625-2R3
03-06-7027	I625-2P2BK	03-06-1023	I625-2R1
03-06-2024	I625-2P2	03-06-1022	I625-2R2
		03-06-6025	I625-2R2RD
		03-06-6026	I625-2R2GN
		03-06-6027	I625-2R2BU
		03-06-6022	I625-2R2BK
		03-06-6028	I625-2R1BU
			OBSOLETE
			OBSOLETE
			OBSOLETE
			OBSOLETE
			OBSOLETE
			OBSOLETE

RECEPTACLE LEGEND:
 I625-2R**
 CIRCUIT SIZE
 R = RECEPTACLE

BLANK = WITH STANDARD MOUNTING EARS; WITH DETENTS
 1 = WITHOUT MOUNTING EARS; WITH DETENTS
 2 = WITH PREBENT MOUNTING EARS; WITH DETENTS
 3 = W/O MOUNTING EARS, WITH POSITIVE LOCK

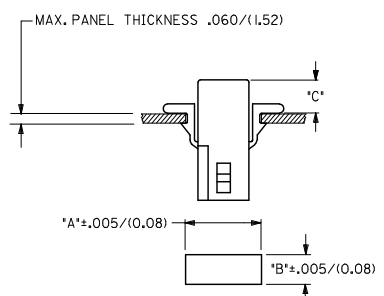
BLANK = NATURAL
 AM=AMBER BK=BLACK BU=BLUE
 BN=BROWN CY=GRAY GN=GREEN
 OR=ORANGE RD=RED YW=YELLOW



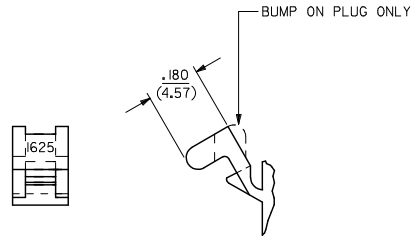
PLUG LEGEND:
 I625-2P**
 CIRCUIT SIZE
 P = PLUG

1 = WITHOUT MOUNTING EARS
 2 = WITH PREBENT MOUNTING EARS
 3 = W/O MOUNTING EARS, WITH POSITIVE LOCK

BLANK = NATURAL
 AM=AMBER BK=BLACK BU=BLUE
 BN=BROWN CY=GRAY GN=GREEN
 OR=ORANGE RD=RED YW=YELLOW



HOUSING	DIM. 'A'	DIM. 'B'	PREBENT EAR DIM. 'C'	STD. EAR DIM. 'C'
PLUG	.609 (15.47)	.318 (8.08)	.24 (6.0)	.24 (6.1)
RECEPTACLE	.505 (12.83)	.265 (6.73)	.25 (6.4)	.25 (6.4)

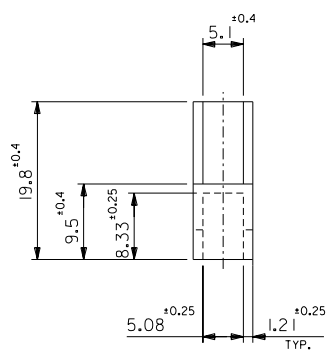
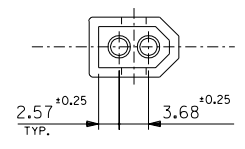
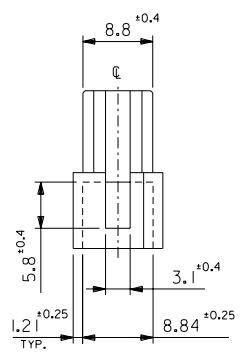
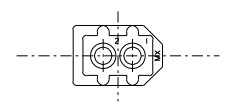


- NOTES:
- MATERIAL - NYLON TYPE 6/6, 94V-2
 - FINISH: NONE
 - PRODUCT SPECIFICATION: PS-02-06
 - PACKAGING SPECIFICATION: PK-1625-001
 - POSITIVE LOCK VERSION REQUIRES USE OF A SCREWDRIVER OR SIMILAR TOOL TO LIFT SHROUD ON PLUG HOUSING IN ORDER TO UNMATE RECEPTACLE HOUSINGS
 - HOUSINGS FOR USE WITH MOLEX .062/(1.57) DIA. SERIES TERMINALS.
 - CIRCUIT I.D. NUMBERS ON SIDE OF HOUSING APPEAR ON PARTS FROM TOOLS BUILT AFTER 07/01/1991.
 - THIS PART CONFORMS TO CLASS B REQUIREMENTS OF COSMETIC SPECIFICATION PS-45499-002.

UPDATE NOTES EC NO. UCP2007-1980 DRAWN BY: JJS CHECKED BY: RW APPROVED BY: RAS DATE: 2007/04/13 DATE: 2007/04/16 DATE: 2007/04/19	QUALITY SYMBOLS ◻=0 ◻=0	GENERAL TOLERANCES (UNLESS SPECIFIED)		DIMENSION STYLE IN/MM		SCALE 2:1	DESIGN UNITS INCH	THIRD ANGLE PROJECTION
		4 PLACES ±.007 ±.007 3 PLACES ±.018 ±.010 2 PLACES ±0.25 ±.007 1 PLACE ±0.25 ±.007	mm INCH	DRAWN BY: JJS DATE: 1988/04/14	TITLE: PLUG & RECEPTACLE 2 CIRCUIT HOUSINGS .062(1.57)DIA.			
		ANGULAR ± 1°	DRAFT WHERE APPLICABLE MUST REMAIN WITHIN DIMENSIONS	CHECKED BY: RW DATE: 1988/04/14	MOLEX INCORPORATED			
		SEE CHART	MATERIAL NO. SD-1625-2*	APPROVED BY: RAS DATE: 1988/04/14	MOLEX	DOCUMENT NO.	SHEET NO. 3 OF 3	

THIS DRAWING CONTAINS INFORMATION THAT IS PROPRIETARY TO MOLEX INCORPORATED AND SHOULD NOT BE USED WITHOUT WRITTEN PERMISSION

8 7 6 5 4 3 2 1



注記
NOTE

材質:ナイロン66, 94V-2
MATERIAL:NYLON66,94V-2

角度 ANGLE	±3°						材料 MATERIAL	図中参照		
30°以上 OVER	±0.3						REFER TO DRAWING			
10°以上 未満 OVER 30° UNDER	±0.25	E	REVISED	JC90389	5/1	M.F.	仕上げ FINISH	—		
10°未満 UNDER	±0.2	D	再作図 REDRAWN	JC70302	7/1	M.F.	適用電線範囲 WIRE RANGE	—		
一般公差 GENERAL TOLERANCES							被覆外径 INS. RANGE	—		
記号 LTR	変更内容 REVISION RECORD	DR	CHK.	DATE	DATE	DATE	DRAWN BY 98/12/23 H. IJIMA	CHK'D BY 98/12/23 S. KUNISHI		
							APP'D BY 98/12/23 M.FUKUSHIMA	尺度 SCALE 2:1		

1625-2P1	03-06-2023
ENG. NO.	PART NO.

	MOLEX-JAPAN CO.,LTD. 日本モレックス株式会社
REVISE ONLY ON CAD SYSTEM	
TITLE 名称	
.062 DIA. 2 CIRCUIT PLUG HOUSING	
DWG. NO.	REV
SD-1625-2P1	E

THIS DRAWING CONTAINS INFORMATION THAT IS PROPRIETARY TO MOLEX/JAPAN AND SHOULD NOT BE USED WITHOUT WRITTEN PERMISSION
本図面は日本モレックス(株)の所有する情報を盗むもので 当社の許可なく複製を禁止する。
4 3 2 1 EN-01C1032)MXJ-32

8 7 6 5 4 3 2 1