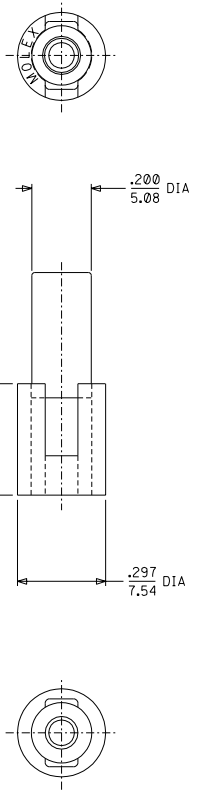
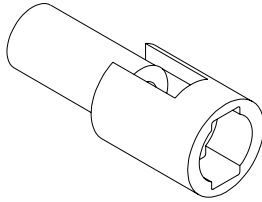
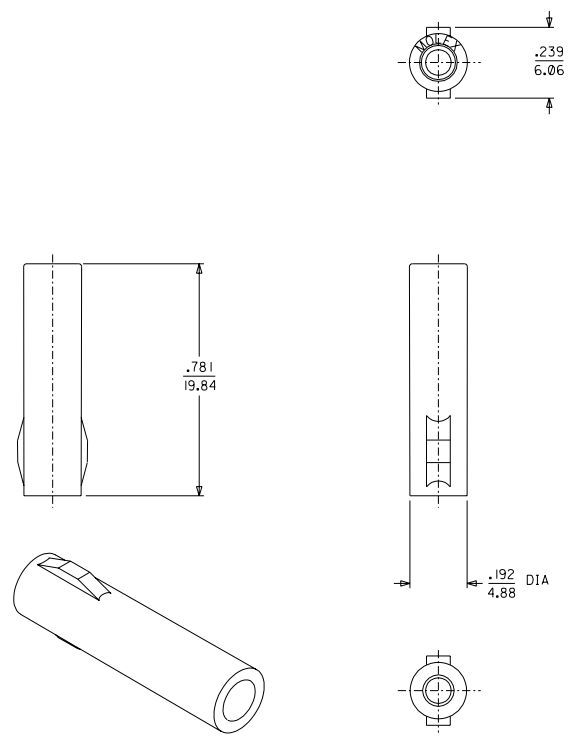


13 12 11 10 9 8 7 6 5 4 3 2 1625

PLUG

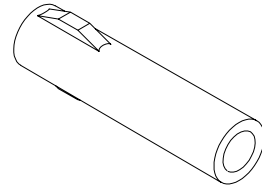


RECEPTACLE



PLUG HOUSING

RECEPTACLE HOUSING



2	H
1	H
SHT	REV
REVISE ON	CAD ONLY

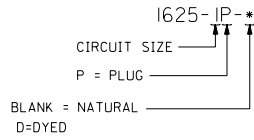
REDRAWN ON CAD EC NO. LCP2003--2578 DRWINGSYNTH 6/10/03 CHK: BWIRKLUS 6/13/03 APPR: BWIRKLUS 6/16/03	QUALITY SYMBOLS	GENERAL TOLERANCES (UNLESS SPECIFIED)	SCALE 4 : 1	DESIGN UNITS <input type="checkbox"/> mm <input checked="" type="checkbox"/> INCH	THIRD ANGLE PROJECTION	DIMENSIONS: <input type="checkbox"/> mm <input checked="" type="checkbox"/> INCH <input type="checkbox"/> mm ONLY	TITLE: PLUG & RECEPTACLE HOUSINGS I CIRCUIT, .062/(1.57) DIA. SERIES
	MAJOR	mm INCH	DRAWN BY & DATE	JBS 6/10/03	MATERIAL NO. DRAWING NO. SD-1625-1*-*		
	CRITICAL	4 PLACES ±0.--- ±. 3 PLACES ±0. ±.010 2 PLACES ±0.25 ±.014 1 PLACE ±0.35 ±.	CHECKED BY & DATE	BW 6/13/03	SEE CHART		
	DESCRIPTION	APPROVED BY & DATE	BW 6/16/03	CAD FILENAME	SD1625IX1.DGN	SHEET NO. 1 OF 2	SIZE C
REV	DRAFT WHERE APPLICABLE MUST REMAIN WITHIN DIMENSIONS		THIS DRAWING CONTAINS INFORMATION THAT IS PROPRIETARY TO MOLEX INCORPORATED AND SHOULD NOT BE USED WITHOUT WRITTEN PERMISSION.				

LBORD.DGN REV A 96/06/12 LEVEL 5

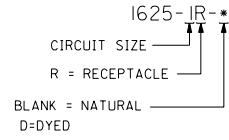
12 11 10 9 8 7 6 5 4 3 2 1

	13	12	11	10	9	8	7	6	1625	4	3	2	1
	PLUG		RECEPTACLE										
	PART NO.	ENG. NO.	PART NO.	ENG. NO.									
	03-06-2011	1625-IP	03-06-1011	1625-IR									
	03-06-7011	1625-IP-D	03-06-6011	1625-IR-D									

PLUG LEGEND:



RECEPTACLE LEGEND:



NOTES:

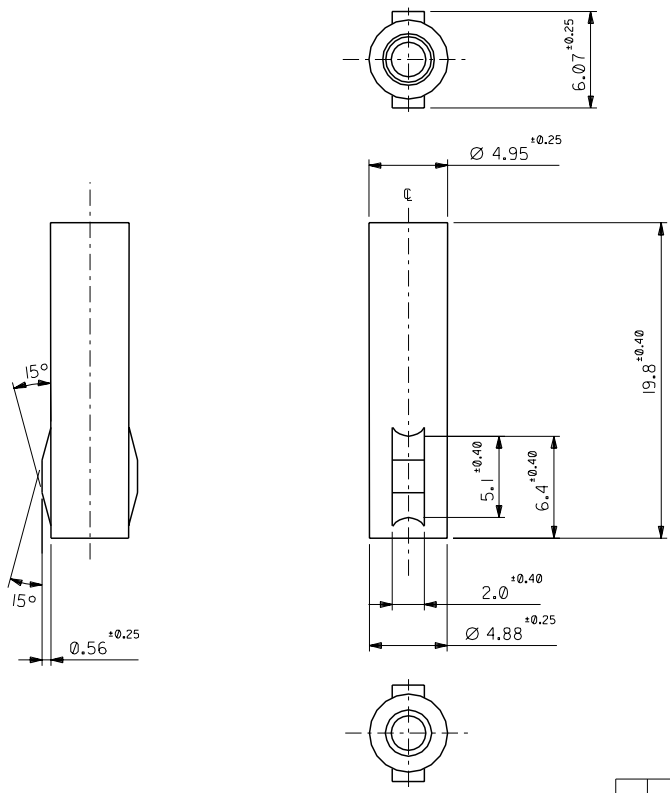
1. MATERIAL: NYLON, PA66, U.L. 94V-2.
2. FINISH: NONE.
3. PRODUCT SPECIFICATION: PS-02-06.
4. PACKAGING SPECIFICATION: NONE.
5. FOR USE WITH .062 SERIES TERMINALS.

DIMENSIONS SHOWN IN METRIC INCH		UNLESS OTHERWISE SPECIFIED TOLERANCES: ANGULAR ±.04°		REVISIONS ONLY ON CAD SYSTEM	
INCH		METRIC		TITLE	
3 PLACE	± .010	---	---	PLUG & RECEPTACLE HOUSINGS	
2 PLACE	± .014	± 0.25	---	1 CIRCUIT	
1 PLACE	---	± 0.35	---	.062/(1.57) DIA. SERIES	
DRAFT WHERE APPLICABLE MUST REMAIN WITHIN DIMENSIONS				MOLEX INCORPORATED U.S.A. SHEET NO. 2 DATE 6/10/03	
SEE CHART				PART NO. SD-1625-1*-*	
DRAWN BY: JBS				FILE NAME: SD1625 IN2	
CHECKED BY: BW				NO DRAWING CONTAINS INFORMATION THAT IS PROPRIETARY TO MOLEX INC. AND SHOULD NOT BE USED WITHOUT WRITTEN PERMISSION. CP IC	
APPROVED BY: BW				SCALE: 1:1	
LTR.	REVISIONS	LTR.	REVISIONS		

	13	12	11	10	9	8	7	6	5	4	3	2	1
--	----	----	----	----	---	---	---	---	---	---	---	---	---

DWG. NO. SD-1625-IR

ALL DIMENSIONS IN METRIC DO NOT SCALE DRAWING



注記
NOTE

材質：ナイロン66, 94V-2
MATERIAL: NYLON66, 94V-2

03-06-1011	1625-IR
PART NO.	ENG. NO.

材料 MATERIAL	図中参照 REFER TO DRAWING	MOLEX MOLEX-JAPAN CO.,LTD. 日本モレックス株式会社
仕上げ FINISH	---	
適用電線範囲 WIRE RANGE	---	REVISE ONLY ON CAD SYSTEM
被覆外径 INS. RANGE	---	TITLE 名称
		φ062 DIA. 1 CIRCUIT RECEPT. HOUSING
DRAWN BY '96/07/01 H.IIJIMA		CHK'D BY '96/07/01 M.FUKUSHIMA
APP'D BY '96/07/01 M.ENOMOTO		尺 度 SCALE 1 : 1
DWG. NO.	REV	
SD-1625-IR	B	

角度 ANGLE	±3°
30°以上 OVER	±0.3
10°以上 30°未満 OVER UNDER	±0.25
10°未満 UNDER	±0.2
一般公差 GENERAL TOLERANCES	

再作図 REDRAWN	訂正 COR.	日付 DATE
変更内容 REVISION RECORD	DR. CHK.	

THIS DRAWING CONTAINS INFORMATION THAT IS PROPRIETARY TO MOLEX(JAPAN) AND SHOULD NOT BE USED WITHOUT WRITTEN PERMISSION
本図面は日本モレックス(株)の所有する情報を含むもので 当社の許可なく複製を禁止する。 EN-01C(032)MXJ-32