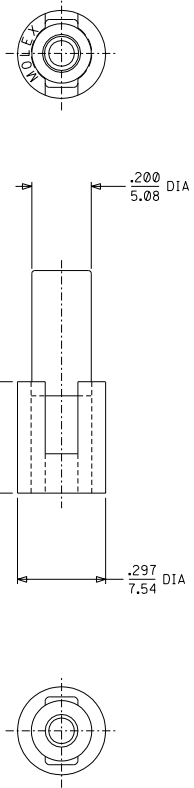
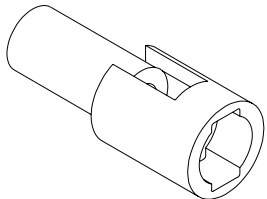
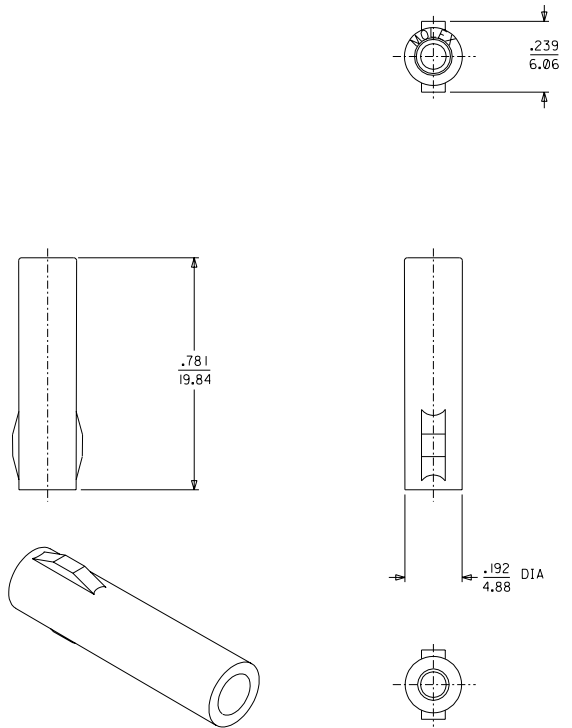


13 12 11 10 9 8 7 6 5 4 3 2 1625

PLUG



RECEPTACLE



PLUG HOUSING

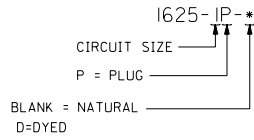
RECEPTACLE HOUSING

REDRAWN ON CAD EC NO. LCP2003--2578 DRWINGSYNTH 6/10/03 CHK: BWIRKLUS 6/13/03 APPR: BWIRKLUS 6/16/03	QUALITY SYMBOLS MAJOR CRITICAL	GENERAL TOLERANCES: (UNLESS SPECIFIED) mm INCH 4 PLACES ± 0.1 $\pm .004$ 3 PLACES ± 0.15 $\pm .006$ 2 PLACES ± 0.25 $\pm .010$ 1 PLACE ± 0.35 $\pm .015$ ANGULAR: $\pm 1^\circ$	SCALE 4 : 1 DRAWN BY & DATE JBS 6/10/03 CHECKED BY & DATE BW 6/13/03 APPROVED BY & DATE BW 6/16/03	DESIGN UNITS <input type="checkbox"/> mm <input checked="" type="checkbox"/> INCH THIRD ANGLE PROJECTION TITLE: PLUG & RECEPTACLE HOUSINGS I CIRCUIT, .062/(1.57) DIA. SERIES MOLEX INCORPORATED	DIMENSIONS: <input type="checkbox"/> mm <input checked="" type="checkbox"/> INCH <input type="checkbox"/> mm ONLY	SHEET NO. 1 OF 2 REVISE ON CAD ONLY
	CAD FILENAME SD1625IX1.DGN	MATERIAL NO. SEE CHART	DRAWING NO. SD-1625-1*-*	SHEET NO. 1 OF 2 SIZE C		
	DRAFT WHERE APPLICABLE MUST REMAIN WITHIN DIMENSIONS				THIS DRAWING CONTAINS INFORMATION THAT IS PROPRIETARY TO MOLEX INCORPORATED AND SHOULD NOT BE USED WITHOUT WRITTEN PERMISSION.	
	H					

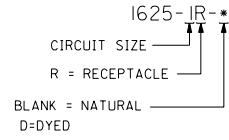
12 11 10 9 8 7 6 5 4 3 2 1

	13	12	11	10	9	8	7	6	1625	4	3	2	1
	PLUG		RECEPTACLE										
	PART NO.	ENG. NO.	PART NO.	ENG. NO.									
	03-06-2011	1625-IP	03-06-1011	1625-IR									
	03-06-7011	1625-IP-D	03-06-6011	1625-IR-D									

PLUG LEGEND:



RECEPTACLE LEGEND:



NOTES:

1. MATERIAL: NYLON, PA66, U.L. 94V-2.
2. FINISH: NONE.
3. PRODUCT SPECIFICATION: PS-02-06.
4. PACKAGING SPECIFICATION: NONE.
5. FOR USE WITH .062 SERIES TERMINALS.

		DIMENSIONS SHOWN IN METRIC INCH		▽ = 0		▽ = 0		REVISE ONLY ON CAD SYSTEM	
		UNLESS OTHERWISE SPECIFIED TOLERANCES: ANGULAR ± .04°		TITLE		PLUG & RECEPTACLE HOUSINGS			
		INCH METRIC		1 PLACE ± .010		1 CIRCUIT			
		2 PLACE ± .014 ± 0.25		3 PLACE ± .014 ± 0.25		.062/(1.57) DIA. SERIES			
		1 PLACE --- ± 0.35		DRAFT WHERE APPLICABLE MUST REMAIN WITHIN DIMENSIONS		MOLEX INCORPORATED		SHEET NO. 2	
						U.S.A.		DATE 6/10/03	
						PART NO. SD-1625-1*-*		DRWG. NO.	
						SEE CHART		CP IC	
		LTR. REVISIONS		LTR. REVISIONS		APP'D. BY JBS		SCALE 1:1	
						DWG. BY BW		NO DRAWING CONTAINS INFORMATION THAT IS PROPRIETARY TO MOLEX INC. AND SHOULD NOT BE USED WITHOUT WRITTEN PERMISSION.	

	13	12	11	10	9	8	7	6	5	4	3	2	1
--	----	----	----	----	---	---	---	---	---	---	---	---	---

DWG. NO. SD-1625-IP

F

D

C

B

A

:MM DIMENSIONS IN METRIC DO NOT SCALE DRAWING

8

7

6

5

4

3

2

1

F

E

D

C

B

A

1625-551

8

7

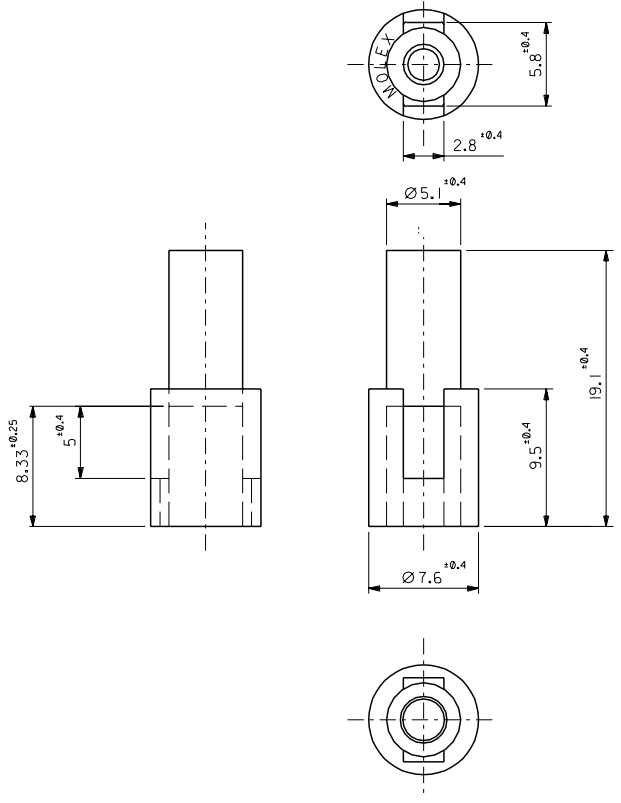
6

5

4

3

2



注記
NOTE

材質：ナイロン66，94V-2
MATERIAL:NYLON66,94V-2

角度 ANGLE	±3°
30°以上 OVER	+0.3
10°以下 未満 UNDER	+0.25
10°未満 UNDER	+0.2
公差 GENERAL TOLERANCES	B

材料 MATERIAL	図中参照 REFER TO DRAWING
仕上げ FINISH	—
適用電線範囲 WIRE RANGE	—
適用外径 INS. RANGE	—
図面作成者 DRAWN BY	%/07/00 H.IIJIMA
図面チェック者 CHK'D BY	%/07/00 M.FUKUSHIMA
承認者 APP'D BY	%/07/00 M.ENOMOTO
目付 DATE	%/07/00

03-06-2011	1625-IP
PART NO.	ENG.NO.
MATERIAL 図中参照 REFER TO DRAWING	
MOLEX MOLEX-JAPAN CO.,LTD. 日本モレックス株式会社	
REVISE ONLY ON CAD SYSTEM	
TITLE 名称 .062 DIA. 1 CIRCUIT PLUG HOUSING	
DWG. NO.	REV
SD-1625-IP	B

THIS DRAWING CONTAINS INFORMATION THAT IS PROPRIETARY TO MOLEX/JAPAN AND SHOULD NOT BE USED WITHOUT WRITTEN PERMISSION
本図面は日本モレックス(株)の所有する権利を有するもので 当社の許可なく複製を禁止する。
4 3 2 EN-01C(032)MXJ-32