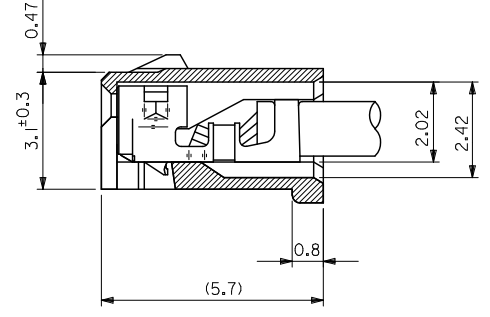
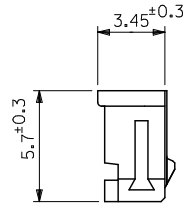
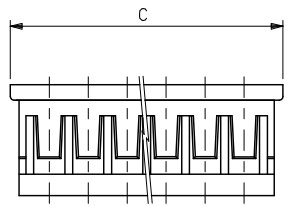
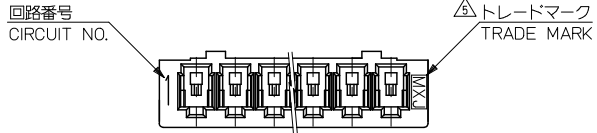
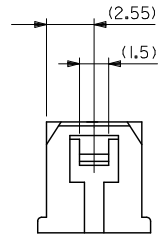
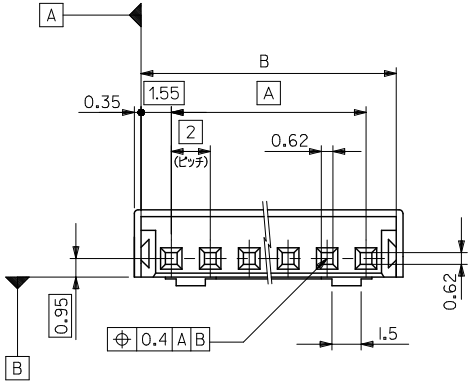


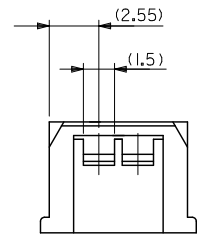
10 9 8 7 6 5 4 3 2 1



ターミナル装着状態図
TERMINAL ASSEMBLY DRAWING
(10:1)



2極の場合
IN CASE OF
2 CIRCUIT HSG.



3極の場合
IN CASE OF
3 CIRCUIT HSG.

31.8	31.1	28	51065-150*	15
29.8	29.1	26	-140*	14
27.8	27.1	24	-130*	13
25.8	25.1	22	-120*	12
23.8	23.1	20	-110*	11
21.8	21.1	18	-100*	10
19.8	19.1	16	-090*	9
17.8	17.1	14	-080*	8
15.8	15.1	12	-070*	7
13.8	13.1	10	-060*	6
11.8	11.1	8	-050*	5
9.8	9.1	6	-040*	4
7.8	7.1	4	-030*	3
5.8	5.1	2	51065-020*	2
C	B	A	PLASTIC BAG	極数
ORDER NO.				CIRCUITS

CONNECTOR SERIES NO. 51065-**0*

REVISED EC NO: J2011-0824 DRAWN BY: DRWANYOSHIKAWA CHKD: CHYD: APPROX: APPR: NIKITA	GENERAL TOLERANCES (UNLESS SPECIFIED)		DIMENSION STYLE MM ONLY		SCALE 5:1	DESIGN UNITS METRIC	THIRD ANGLE PROJECTION
	10 UNDER	±0.2	DRAWN BY S. AIHARA	DATE '89/09/21	TITLE NEW 2.0 WIRE TO BOARD CONN RECEPTACLE HOUSING		
	10 OVER 30 UNDER	±0.25	CHECKED BY M. FUKUSHIMA	DATE '90/01/18	MOLEX INCORPORATED		
	30 OVER	±0.3	APPROVED BY M. ENOMOTO	DATE '90/01/18	DOCUMENT NO. SD-51065-004		
ANGULAR	±3°	DRAFT WHERE APPLICABLE MUST REMAIN WITHIN DIMENSIONS		MATERIAL NO. SEE CHART	SHEET NO. 1 OF 2		
SIZE A3				THIS DRAWING CONTAINS INFORMATION THAT IS PROPRIETARY TO MOLEX INCORPORATED AND SHOULD NOT BE USED WITHOUT WRITTEN PERMISSION			

10 | 9 | 8 | 7 | 6 | 5 | 4 | 3 | 2 | 1

注記 NOTES

- 適合ターミナル : 50212-8*00
APPLICABLE TERMINAL : 50212-8*00
- 嵌合相手 : 53253-**10, 53254-**10
MATES WITH : 53253-**10, 53254-**10
- 材質 : PBT, UL94V-0
MATERIAL : PBT, UL94V-0

△ オーダー番号 ORDER NO.

51065-**0*

極数 CIRCUIT SIZE 色番号 COLOR CODE

0	自然色 (白) NATURAL (WHITE)
1	黒 BLACK
2	赤 RED
3	黄 YELLOW
4	青 BLUE
6	緑 GREEN

△ トレードマーク : M プラス 1~2 文字の製造工場を示すアルファベットにて構成。但し、"J" は JAPAN を示す。(例 MXJ)
FORMED BY M AND FROM 1 TO 2 MORE LETTER OF ALPHABET WHICH MEAN THE MANUFACTORY.
BUT "J" MEANS JAPAN. (TO TRADE MARK) (e.g. MXJ).

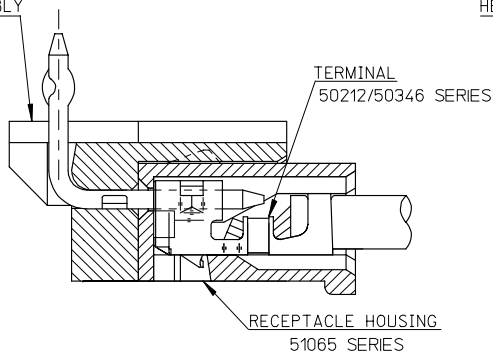
31.8	31.1	28						51065-1501	51065-1500	15
29.8	29.1	26						51065-1401	51065-1400	14
27.8	27.1	24						51065-1301	51065-1300	13
25.8	25.1	22							51065-1200	12
23.8	23.1	20							51065-1100	11
21.8	21.1	18							51065-1000	10
19.8	19.1	16							51065-0900	9
17.8	17.1	14							51065-0800	8
15.8	15.1	12		51065-0704					51065-0700	7
13.8	13.1	10			51065-0603	51065-0602			51065-0600	6
11.8	11.1	8							51065-0500	5
9.8	9.1	6				51065-0403	51065-0402		51065-0400	4
7.8	7.1	4			51065-0304		51065-0302	51065-0301	51065-0300	3
5.8	5.1	2	51065-0206	51065-0204	51065-0203	51065-0202	51065-0201	51065-0200		2
C	B	A	GREEN	BLUE	YELLOW	RED	BLACK	NATURAL		極数

△ オーダー番号 ORDER NO. CONNECTOR SERIES NO. 51065-**0*

REVISED EC NO: J2011-0824 DRAWN: YOSHIKAWA 2010/12/16 CHYOKI-KASAKAWA 2010/12/16 APPR: NIKITA 2010/12/16	GENERAL TOLERANCES (UNLESS SPECIFIED)		DIMENSION STYLE MM ONLY		SCALE 5:1	DESIGN UNITS METRIC	THIRD ANGLE PROJECTION
	10 UNDER	±0.2	DRAWN BY S. AIHARA	DATE '89/09/21	TITLE NEW 2.0 WIRE TO BOARD CONN RECEPTACLE HOUSING		
	10 OVER 30 UNDER	±0.25	CHECKED BY M. FUKUSHIMA	DATE '90/01/18	MOLEX INCORPORATED		
	30 OVER	±0.3	APPROVED BY M. ENOMOTO	DATE '90/01/18	DOCUMENT NO. SD-51065-004		
ANGULAR ±3°		DRAFT WHERE APPLICABLE MUST REMAIN WITHIN DIMENSIONS		MATERIAL NO. SEE CHART	SHEET NO. 2 OF 2		
				THIS DRAWING CONTAINS INFORMATION THAT IS PROPRIETARY TO MOLEX INCORPORATED AND SHOULD NOT BE USED WITHOUT WRITTEN PERMISSION			

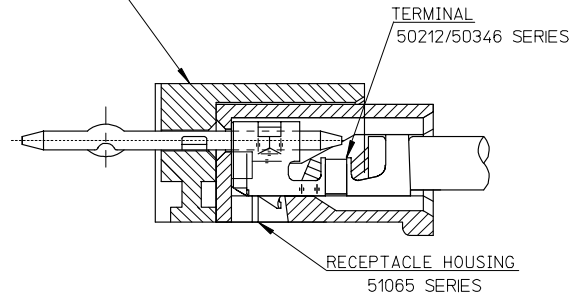
10 9 8 7 6 5 4 3 2 1

HEADER HOUSING ASSEMBLY
53254SERIES

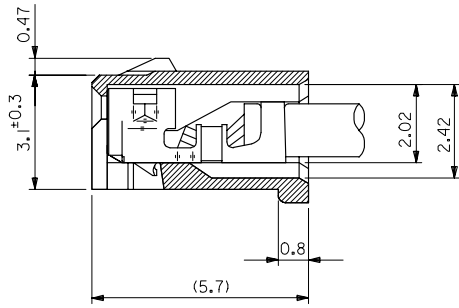


51065シリーズ/53254シリーズ 嵌合状態図 参考
51065 SERIES/53254 SERIES MATED DRAWING (REF.)

HEADER HOUSING ASSEMBLY
53253SERIES



51065シリーズ/53253シリーズ 嵌合状態図 参考
51065 SERIES/53253 SERIES MATED DRAWING (REF.)



ターミナル装着状態図
TERMINAL ASS'Y DWG.

RELEASED EC NO: J2008-2041 DRWN: AOYAGI 2007/11/13 CHKD: HARUYAMA 2007/11/22 APPR: NUKITA 2007/11/22	GENERAL TOLERANCES (UNLESS SPECIFIED)		DIMENSION STYLE MM ONLY		SCALE 10:1	DESIGN UNITS METRIC	THIRD ANGLE PROJECTION
	10 UNDER	± 0.2	DRAWN BY Y. AOYAGI	DATE 2007/11/13	TITLE NEW 2.0 W/B CONN. 51065/53253OR51065/53254 MOLEX INCORPORATED DOCUMENT NO. SD-51065-006 SHEET NO. 1 OF 1		
	10 OVER 30 UNDER	± 0.25	CHECKED BY N. UKITA	DATE 2007/11/13			
	30 OVER	± 0.3	APPROVED BY N. UKITA	DATE 2007/11/13			
	ANGULAR	± 1 °	MATERIAL NO.		SEE TABLE		
DRAFT WHERE APPLICABLE MUST REMAIN WITHIN DIMENSIONS		SIZE A3	THIS DRAWING CONTAINS INFORMATION THAT IS PROPRIETARY TO MOLEX INCORPORATED AND SHOULD NOT BE USED WITHOUT WRITTEN PERMISSION				