

4

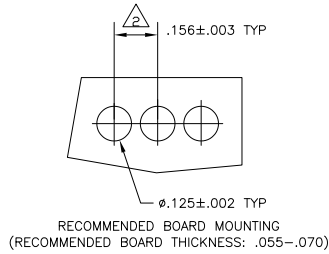
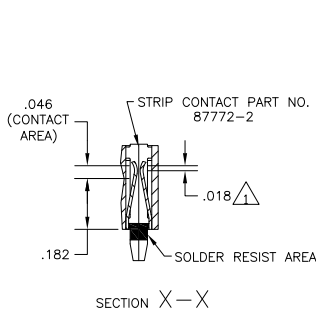
3

2

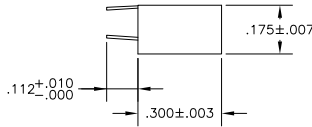
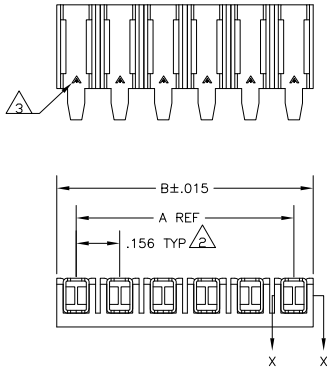
1

THIS DRAWING IS UNPUBLISHED. RELEASED FOR PUBLICATION
 © COPYRIGHT BY TYCO ELECTRONICS CORPORATION. ALL RIGHTS RESERVED.

LOC	DIST	REVISIONS					
AD	OO	P	LTR	DESCRIPTION	DATE	BY	APPD
		K1		REVISED PER ECO-10-000443	12JAN10	KK	AEG



- △ POINT OF MEASUREMENT FOR PLATING THICKNESS (INSIDE OF BEAMS).
- △ TOLERANCE NON-CUMULATIVE.
- △ THE MATING END OF THE CONTACT IS IDENTIFIED BY THE LETTER "A" STAMPED ON THE RECEPTACLE BOX.
- 4. A MILDLY ACTIVATED FLUX IS REQUIRED TO SOLDER THIS CONTACT
- △ 5. .000030 GOLD OVER .000050 NICKEL INLAID IN CONTACT AREA, .000500 ALUMINUM INLAID IN SOLDER RESIST AREA, THE REMAINDER OF THE CONTACT IS UNFINISHED
- △ OBSOLETE PARTS: OBSOLETE CIS STREAMLINING PER D.RENAUD/D.SINISI



OBSOLETE	△ 6	-3.120	2.964	20	2-87989-0
		-2.964	2.808	19	1-87989-9
		-2.808	2.652	18	1-87989-8
OBSOLETE	△ 6	-2.652	2.496	17	1-87989-7
		2.496	2.340	16	1-87989-6
		-2.340	2.184	15	1-87989-5
OBSOLETE	△ 6	2.184	2.028	14	1-87989-4
		-2.028	1.872	13	1-87989-3
		-1.872	1.716	12	1-87989-2
OBSOLETE	△ 6	-1.716	1.560	11	1-87989-1
		-1.560	1.404	10	1-87989-0
		-1.404	1.248	9	87989-9
OBSOLETE	△ 6	-1.248	1.092	8	87989-8
		-1.092	.936	7	87989-7
		.936	.780	6	87989-6
OBSOLETE	△ 6	.780	.624	5	87989-5
		-.624	-.468	4	87989-4
		-.468	-.312	3	87989-3
OBSOLETE	△ 6	-.312	-.156	2	87989-2
		B	A	NO OF POSN	ASSEMBLY PART NUMBER

THIS DRAWING IS A CONTROLLED DOCUMENT.

DESIGNED BY: L. A. MAYER	DATE: 17MAR86	Tyco Electronics Corporation Harrisburg, Pa 17105-3608
CHECKED BY: P. deJONG	DATE: 18MAR86	
APPROVED BY: P. deJONG	DATE: 18MAR86	NAME: ASSY, MOD 1, BOARD MOUNT RECP, .156 CL, STD PRESSURE, TYPE A, FOR ROUND HOLE MOUNTING
DRAWN BY: P. deJONG	DATE: 108-25.016	RESTRICTED TO: -
PRODUCT SPEC: 108-25.016	APPLICATION SPEC: 114-25.004	SIZE: A2
MATERIAL: HOUSING-FLAME RETARDANT THERMOPLASTIC, COLOR-BLACK	FINISH: -	QTY: 00779
CONTACTS: COPPER-NICKEL-TIN	CONTACTS: 5	SCALE: 4:1

CUSTOMER DRAWING

87989

A