

4

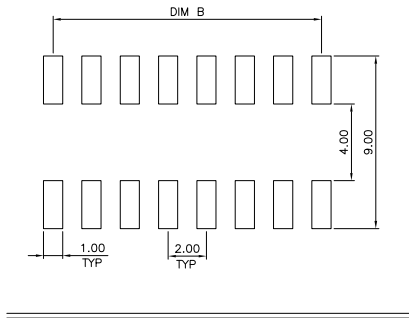
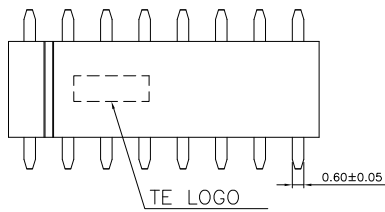
3

2

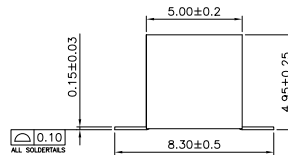
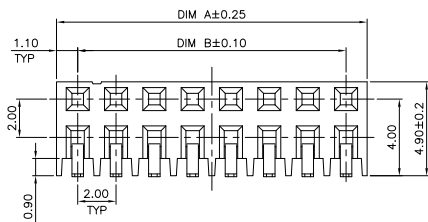
1

THIS DRAWING IS UNPUBLISHED. RELEASED FOR PUBLICATION APR, 2006.  
 COPYRIGHT 2009 BY TYCO ELECTRONICS CORPORATION. ALL INTERNATIONAL RIGHTS RESERVED.

| LOC | DIST | REVISIONS                     |           |     |      |
|-----|------|-------------------------------|-----------|-----|------|
| P   | LTR  | DESCRIPTION                   | DATE      | DWN | APVD |
| B   |      | RELEASED AS PER ECR-09-017658 | 06AUG2009 | SRE | PCH  |



| 48.00 | 50.20 | 50          | 5-1734606-0 |
|-------|-------|-------------|-------------|
| 46.00 | 48.20 | 48          | 4-1734606-8 |
| 44.00 | 46.20 | 46          | 4-1734606-6 |
| 42.00 | 44.20 | 44          | 4-1734606-4 |
| 40.00 | 42.20 | 42          | 4-1734606-2 |
| 38.00 | 40.20 | 40          | 4-1734606-0 |
| 36.00 | 38.20 | 38          | 3-1734606-8 |
| 34.00 | 36.20 | 36          | 3-1734606-6 |
| 32.00 | 34.20 | 34          | 3-1734606-4 |
| 30.00 | 32.20 | 32          | 3-1734606-2 |
| 28.00 | 30.20 | 30          | 3-1734606-0 |
| 26.00 | 28.20 | 28          | 2-1734606-8 |
| 24.00 | 26.20 | 26          | 2-1734606-6 |
| 22.00 | 24.20 | 24          | 2-1734606-4 |
| 20.00 | 22.20 | 22          | 2-1734606-2 |
| 18.00 | 20.20 | 20          | 2-1734606-0 |
| 16.00 | 18.20 | 18          | 1-1734606-8 |
| 14.00 | 16.20 | 16          | 1-1734606-6 |
| 12.00 | 14.20 | 14          | 1-1734606-4 |
| 10.00 | 12.20 | 12          | 1-1734606-2 |
| 8.00  | 10.20 | 10          | 1-1734606-0 |
| 6.00  | 8.20  | 8           | 0-1734606-8 |
| 4.00  | 6.20  | 6           | 0-1734606-6 |
| 2.00  | 4.20  | 4           | 0-1734606-4 |
| DIM B | DIM A | NO. OF POS. | PART NUMBER |



- NOTE :
- △ MATERIAL :  
HOUSING: THERMOPLASTIC, UL 94V-0, BLACK COLOR.  
CONTACT: PHOSPHOR BRONZE, THICKNESS=0.2mm.
  - △ FINISH:  
10μ" MIN. GOLD PLATED ON CONTACT AREA,  
100μ" MIN. BRIGHT TIN PLATED ON SOLDER TAIL,  
50μ" MIN. NICKEL UNDERPLATED OVER ALL.
  - 3. REFLOW SOLDER CAPABLE TO 245°C PER TE 109-202, CONDITION A4.
  - 4. QUALIFICATION TEST REPORT: 501-57197.

|   |             |                               |   |                    |
|---|-------------|-------------------------------|---|--------------------|
| THIS DRAWING IS A CONTROLLED DOCUMENT.  |             | DWN<br>O.HU<br>17-APR-2006    | Tyco Electronics Corporation<br>Bangalore, India. |                    |
| DIMENSIONS:<br>mm   |             | CHK<br>S.HOU<br>17-APR-2006   | NAME  |                    |
| TOLERANCES UNLESS OTHERWISE SPECIFIED:  |             | APVD<br>W.J.KE<br>17-APR-2006 | AMPMODU,2.0mm PITCH<br>RIGHT ANGLE,SMT TYPE       |                    |
| 0 PLC ± -<br>1 PLC ± 0.30<br>2 PLC ± 0.20<br>3 PLC ± 0.10<br>4 PLC ± -<br>ANGLES ± 0° |             | PRODUCT SPEC<br>108-57197     | SIZE<br>A3  | CAGE CODE<br>00779 |
| MATERIAL<br>1   | FINISH<br>2 | APPLICATION SPEC<br>-         | DRAWING NO<br>C-1734606                           | RESTRICTED TO<br>- |
| CUSTOMER DRAWING  |             |                               | SCALE<br>-  | SHEET<br>1 of 2    |
|   |             |                               | REV<br>B  |                    |

4

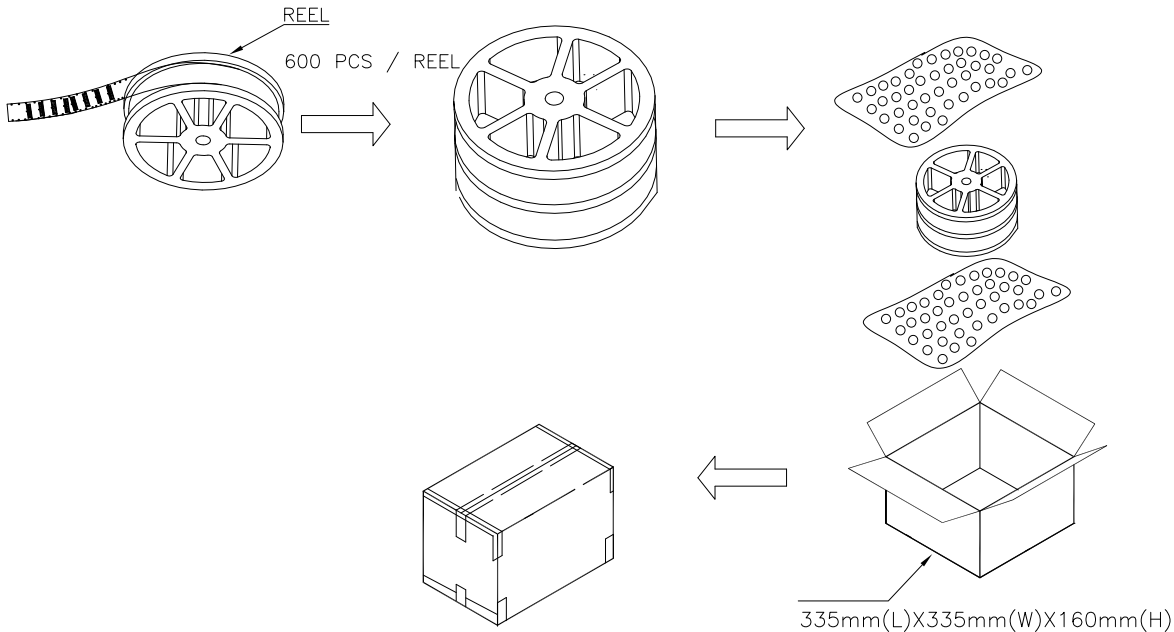
3

2

1

THIS DRAWING IS UNPUBLISHED. RELEASED FOR PUBLICATION APR , 2006.  
 © COPYRIGHT 2009 BY TYCO ELECTRONICS CORPORATION. ALL INTERNATIONAL RIGHTS RESERVED.

| LOC          | DIST | REVISIONS   |      |     |      |
|--------------|------|-------------|------|-----|------|
| P            | LTR  | DESCRIPTION | DATE | DWN | APVD |
| SEE SHEET 1. |      |             |      |     |      |



| 2   | 50     | 5-1734606-0 |
|-----|--------|-------------|
| 2   | 48     | 4-1734606-8 |
| 2   | 46     | 4-1734606-6 |
| 2   | 44     | 4-1734606-4 |
| 2   | 42     | 4-1734606-2 |
| 2   | 40     | 4-1734606-0 |
| 2   | 38     | 3-1734606-8 |
| 2   | 36     | 3-1734606-6 |
| 3   | 34     | 3-1734606-4 |
| 3   | 32     | 3-1734606-2 |
| 3   | 30     | 3-1734606-0 |
| 3   | 28     | 2-1734606-8 |
| 3   | 26     | 2-1734606-6 |
| 3   | 24     | 2-1734606-4 |
| 4   | 22     | 2-1734606-2 |
| 4   | 20     | 2-1734606-0 |
| 4   | 18     | 1-1734606-8 |
| 4   | 16     | 1-1734606-6 |
| 4   | 14     | 1-1734606-4 |
| 4   | 12     | 1-1734606-2 |
| 5   | 10     | 1-1734606-0 |
| 5   | 8      | 0-1734606-8 |
| 5   | 6      | 0-1734606-6 |
| 5   | 4      | 0-1734606-6 |
| B   | NO. OF | PART NUMBER |
| QTY | POS.   |             |

335mm(L)X335mm(W)X160mm(H)

|   |                       |                               |   |                         |
|---|-----------------------|-------------------------------|---|-------------------------|
| THIS DRAWING IS A CONTROLLED DOCUMENT.  |                       | DWN<br>O.HU<br>17-APR-2006    | Tyco Electronics Corporation<br>Bangalore, India. |                         |
| DIMENSIONS:<br>mm   |                       | CHK<br>S.HOU<br>17-APR-2006   | NAME  |                         |
| TOLERANCES UNLESS OTHERWISE SPECIFIED:  |                       | APVD<br>W.J.KE<br>17-APR-2006 | AMPMODU,2.0mm PITCH<br>RIGHT ANGLE,SMT TYPE       |                         |
| 0 PLC ± -<br>1 PLC ± 0.30<br>2 PLC ± 0.20<br>3 PLC ± 0.10<br>4 PLC ± -<br>ANGLES ± 0° |                       | PRODUCT SPEC<br>108-57197     | SIZE<br>A3  | RESTRICTED TO           |
| MATERIAL<br>SEE SHEET 1   | FINISH<br>SEE SHEET 1 | APPLICATION SPEC              | CAGE CODE<br>-                                    | DRAWING NO<br>C-1734606 |
|   |                       | WEIGHT<br>-                   | SCALE<br>-  | SHEET 2 of 2            |
|   |                       | CUSTOMER DRAWING              |   | REV B                   |