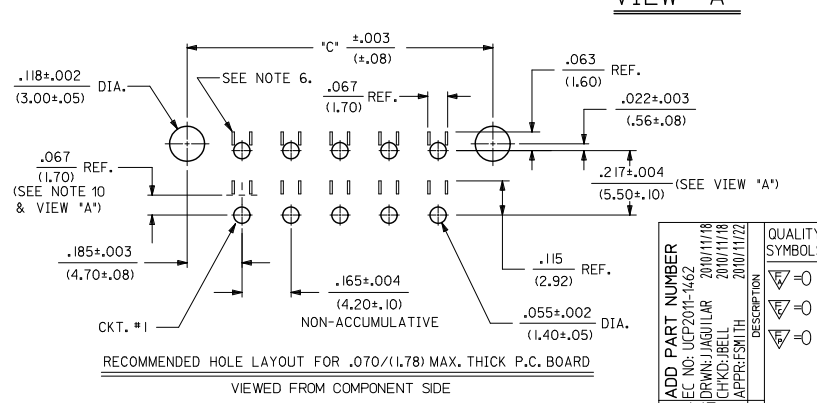
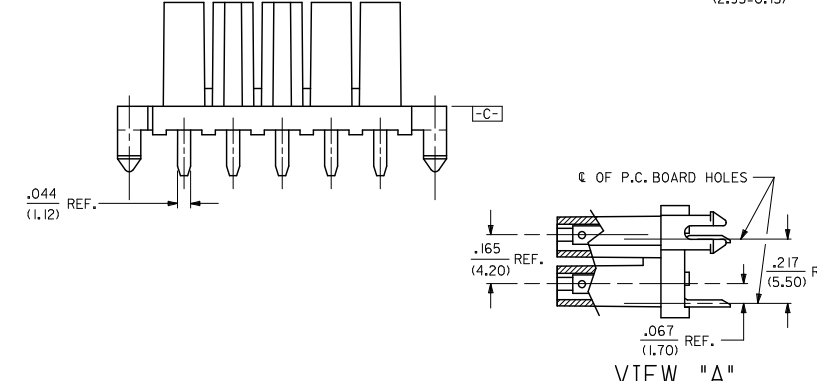


**NOTES:**

- 1) HOUSING AND TERMINAL MATERIAL:
  - A - HOUSING: NYLON 6/6, U.L. 94V-2, COLOR: NATURAL. TERMINAL: BRASS, ALLOY 260.
  - B - HOUSING: NYLON 6/6, U.L. 94V-0, COLOR: NATURAL. TERMINAL: BRASS, ALLOY 260.
  - C - HOUSING: NYLON 6/6, U.L. 94V-2, COLOR: NATURAL. TERMINAL: PHOS. BRONZE, ALLOY 510.
  - D - HOUSING: NYLON 6/6, U.L. 94V-0, COLOR: NATURAL. TERMINAL: PHOS. BRONZE, ALLOY 510.
- 2) TERMINAL PLATING:
  - 1 - .000100/(.00254) MIN. BRIGHT TIN OVER .000050/(.00127) MIN. NICKEL.
  - 2 - .00030/(.00076) MIN. SELECT GOLD AND .000100/(.00254) MIN. SELECT MATTE TIN OVER .000050/(.00127) MIN. NICKEL OVERALL.
  - 3 - .000100/(.00254) MIN. TIN OVER .000050/(.00127) MIN. NICKEL.
  - 4 - .000050/(.00127) MIN. SELECT GOLD AND .000100/(.00254) MIN. SELECT MATTE TIN OVER .000050/(.00127) MIN. NICKEL OVERALL.
- 3) PRODUCT SPECIFICATION AND PROCESSING PARAMETERS: PS-5556-002.
- 4) TRAY PACK PER PK-42385-999.
- 5) PART MATES WITH MINI-FIT B.M.I. PLUG #42475 AND HEADERS 42404, 42440, 43879, AND 44068.
- 6) PHANTOM LINES INDICATE AREAS WHERE TERMINAL STANDOFFS CONTACT P.C. BOARD.
- 7) A MAXIMUM TOLERANCE OF .050/(1.27) ALLOWS FOR 2 POINTS OF ELECTRICAL CONTACT. A MAXIMUM TOLERANCE OF .020/(.51) ALLOWS FOR 4 POINTS OF CONTACT.
- 8) .016 IN/IN OR .016 MM/MM MAX. BOW ALLOWABLE AT DATUM  $\square$ -C.
- 9) PART ALLOWS FOR UP TO .100/(2.54) MISALIGNMENT WITH MATING CONNECTOR.
- 10) DIMENSION TO BE USED FOR ALIGNMENT OF CIRCUIT #1 OF MATING CONNECTOR
- 11) CONNECTOR ASSEMBLIES ARE NOT TO BE MATED OR UNMATED WHILE CIRCUITS ARE LIVE.
- 12) PARTS NOT DESIGNED FOR CURRENT SHARING.
- 13) WHEN THIS PRODUCT IS USED IN A BLIND MATING APPLICATION, THE SYSTEM LEVEL DESIGN MUST INCORPORATE GUIDANCE SO THE CONNECTORS ARE WITHIN THE CAPTURE ENVELOPE OF THE FLANGES ON THE HEADER OR PLUG HOUSING AND CAN THUS ALIGN THEMSELVES AS THEY COME TOGETHER. FLOAT IS ALSO REQUIRED IN THE OVERALL DESIGN TO ALLOW THE PCB RECEPTACLE OR ITS MATE TO MOVE INTO A STRESS-FREE POSITION AFTER MATING.
- 14) PARTS CONFORM TO CLASS 'B' REQUIREMENTS OF COSMETIC SPECIFICATION PS-45499-002.

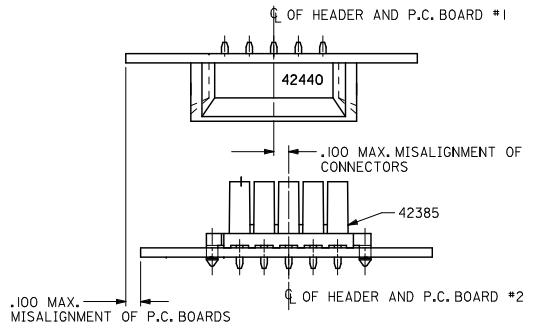
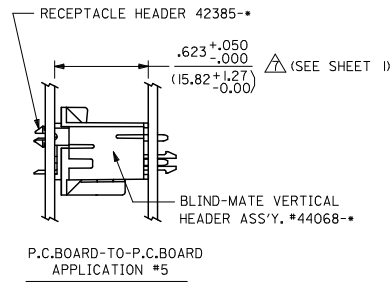
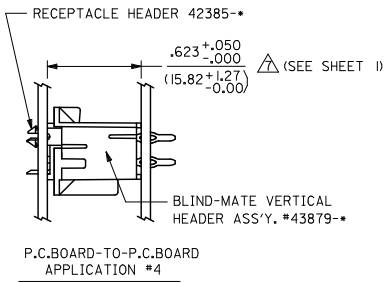
CIRCUIT SIZE	DIM. "A"	DIM. "B"	DIM. "C"
2	—	.21 (5.4)	.370 (9.40)
4	.165 (4.20)	.38 (9.6)	.535 (13.60)
6	.331 (8.40)	.54 (13.8)	.701 (17.80)
8	.496 (12.60)	.71 (18.0)	.866 (22.00)
10	.661 (16.80)	.87 (22.2)	1.031 (26.20)
12	.827 (21.00)	1.04 (26.4)	1.197 (30.40)
14	.992 (25.20)	1.20 (30.6)	1.362 (34.60)
16	1.157 (29.40)	1.37 (34.8)	1.528 (38.80)
18	1.323 (33.60)	1.54 (39.0)	1.693 (43.00)
20	1.488 (37.80)	1.70 (43.2)	1.858 (47.20)
22	1.654 (42.00)	1.87 (47.4)	2.024 (51.40)
24	1.819 (46.20)	2.03 (51.6)	2.189 (55.60)



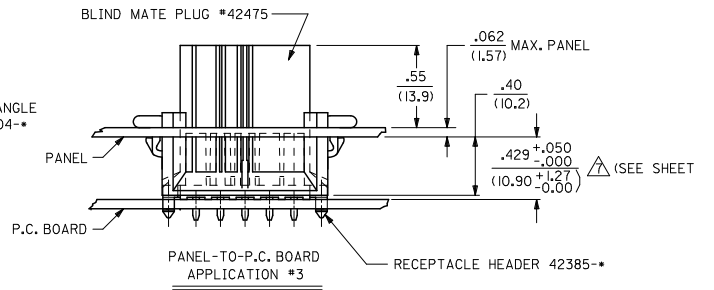
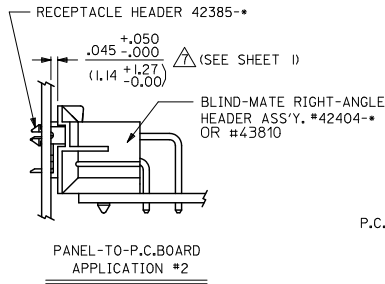
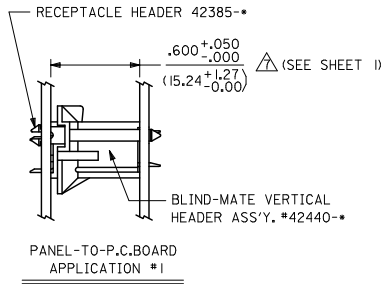
ADD PART NUMBER	QUALITY SYMBOLS	GENERAL TOLERANCES (UNLESS SPECIFIED)		DIMENSION STYLE		SCALE	DESIGN UNITS	THIRD ANGLE PROJECTION
		mm	INCH	IN/MM	IN/MM			
EC NO: UCP2011-1462	▽=0	4 PLACES ± .005	± .005	R/JF	DATE	4:1	METRIC	1 OF 4
DRW: JAGUILAR	▽=0	3 PLACES ± .010	± .010	CHEKED BY	DATE			
CHKD: BELL	▽=0	2 PLACES ± 0.25	± .015	JTR	DATE			
APPR: SMITH	▽=0	1 PLACE ± 0.38	± .015	APPROVED BY	DATE			
		ANGULAR ± 5°		FSMITH	2010/11/22			
				MATERIAL NO.				
				DOCUMENT NO.				

**RECEPTACLE HEADER ASSY**  
**MINI-FIT SERIES**  
**BLIND MATE**  
**MOLEX INCORPORATED**  
 SDA-42385-\*  
 SHEET NO. 1 OF 4

13 12 11 10 9 8 7 6 5 4 3 2 1

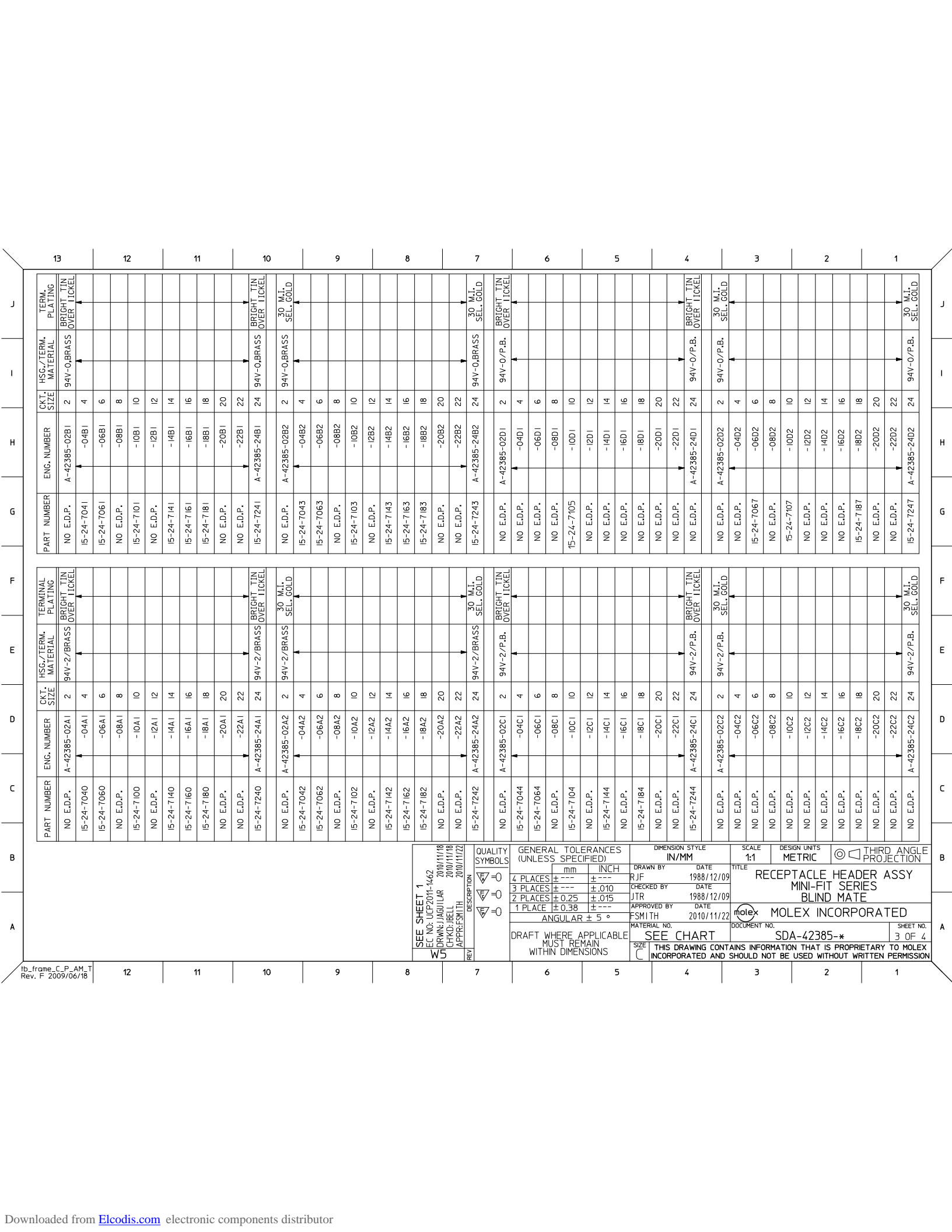


ALIGNMENT TOLERANCES FOR .100 MAX. BOARD-TO-BOARD MISALIGNMENT  
(NO CONNECTOR FLOAT)



SEE NOTE 13

SEE SHEET 1 EC NO: UCP2011-1462 DRAWN: JAGUILAR 2010/11/18 CHKD: BELL 2010/11/18 APPR: SMITH 2010/11/22 W5	QUALITY SYMBOLS	GENERAL TOLERANCES (UNLESS SPECIFIED)	DIMENSION STYLE IN/MM	SCALE 4:1	DESIGN UNITS METRIC	THIRD ANGLE PROJECTION
	▽=0	4 PLACES ± .015 ± .015	DRAWN BY RJF DATE 1988/12/09	TITLE RECEPTACLE HEADER ASSY MINI-FIT SERIES BLIND MATE	MATERIAL NO. SDA-42385-*	
	▽=0	3 PLACES ± .025 ± .015	CHECKED BY JTR DATE 1988/12/09	MOLEX INCORPORATED		SHEET NO. 2 OF 4
	▽=0	1 PLACE ± 0.38 ± .015	APPROVED BY FSMITH DATE 2010/11/22	DOCUMENT NO.		
	ANGULAR ± 5 °	DRAFT WHERE APPLICABLE MUST REMAIN WITHIN DIMENSIONS	SEE CHART	THIS DRAWING CONTAINS INFORMATION THAT IS PROPRIETARY TO MOLEX INCORPORATED AND SHOULD NOT BE USED WITHOUT WRITTEN PERMISSION		



PART NUMBER	ENG. NUMBER	CKT. SIZE	HSG./TERM. MATERIAL	TERMINAL PLATING
NO E.D.P.	A-42385-02A1	2	94V-2/BRASS	BRIGHT TIN OVER LICKEL
15-24-7040	-04A1	4		
15-24-7060	-06A1	6		
NO E.D.P.	-08A1	8		
15-24-7100	-10A1	10		
NO E.D.P.	-12A1	12		
15-24-7140	-14A1	14		
15-24-7160	-16A1	16		
15-24-7180	-18A1	18		
NO E.D.P.	-20A1	20		
NO E.D.P.	-22A1	22		
15-24-7240	A-42385-24A1	24	94V-2/BRASS	BRIGHT TIN OVER LICKEL
NO E.D.P.	A-42385-02A2	2	94V-2/BRASS	30 M.I. SEL. GOLD
15-24-7042	-04A2	4		
15-24-7062	-06A2	6		
NO E.D.P.	-08A2	8		
15-24-7102	-10A2	10		
NO E.D.P.	-12A2	12		
15-24-7142	-14A2	14		
15-24-7162	-16A2	16		
15-24-7182	-18A2	18		
NO E.D.P.	-20A2	20		
NO E.D.P.	-22A2	22		
15-24-7242	A-42385-24A2	24	94V-2/BRASS	30 M.I. SEL. GOLD
NO E.D.P.	A-42385-02C1	2	94V-2/P.B.	BRIGHT TIN OVER LICKEL
15-24-7044	-04C1	4		
15-24-7064	-06C1	6		
NO E.D.P.	-08C1	8		
15-24-7104	-10C1	10		
NO E.D.P.	-12C1	12		
15-24-7144	-14C1	14		
NO E.D.P.	-16C1	16		
15-24-7184	-18C1	18		
NO E.D.P.	-20C1	20		
NO E.D.P.	-22C1	22		
15-24-7244	A-42385-24C1	24	94V-2/P.B.	BRIGHT TIN OVER LICKEL
NO E.D.P.	A-42385-02C2	2	94V-2/P.B.	30 M.I. SEL. GOLD
NO E.D.P.	-04C2	4		
NO E.D.P.	-06C2	6		
NO E.D.P.	-08C2	8		
NO E.D.P.	-10C2	10		
NO E.D.P.	-12C2	12		
NO E.D.P.	-14C2	14		
NO E.D.P.	-16C2	16		
NO E.D.P.	-18C2	18		
NO E.D.P.	-20C2	20		
NO E.D.P.	-22C2	22		
NO E.D.P.	A-42385-24C2	24	94V-2/P.B.	30 M.I. SEL. GOLD

**SEE SHEET 1**  
 EC NO. UCP2011-1462 2010/11/28  
 DRWN: JAGUILAR 2010/11/28  
 CHKD: JHELL 2010/11/28  
 APPR: SMITH 2010/11/22

QUALITY SYMBOLS

GENERAL TOLERANCES (UNLESS SPECIFIED):  
 4 PLACES ± .10 INCH  
 3 PLACES ± .12 INCH  
 2 PLACES ± 0.25 INCH  
 1 PLACE ± 0.38 INCH  
 ANGULAR ± 5°

DRAFT WHERE APPLICABLE MUST REMAIN WITHIN DIMENSIONS

SEE CHART

THIS DRAWING CONTAINS INFORMATION THAT IS PROPRIETARY TO MOLEX INCORPORATED AND SHOULD NOT BE USED WITHOUT WRITTEN PERMISSION

RECEPTACLE HEADER ASSY  
 MINI-FIT SERIES  
 BLIND MATE

MOLEX MOLEX INCORPORATED

SCALE 1:1  
 DESIGN UNITS METRIC  
 THIRD ANGLE PROJECTION

MATERIAL NO. SDA-42385-\*  
 DOCUMENT NO. SHEET NO. 3 OF 4

