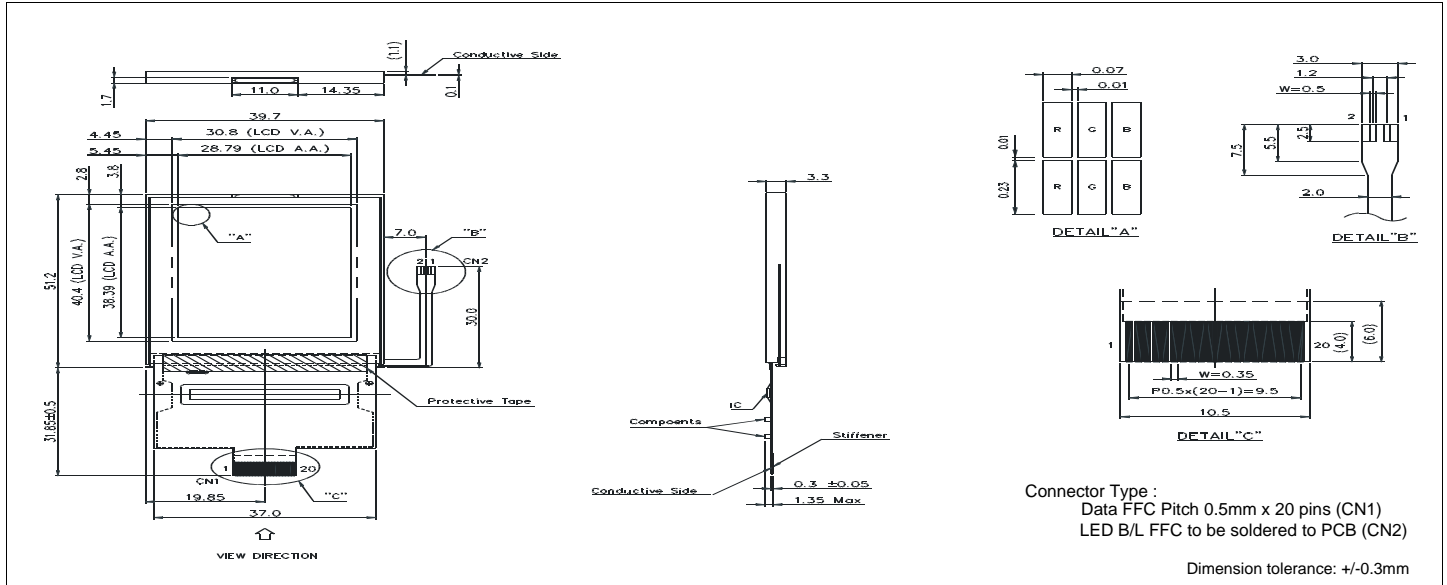


HDM1216C-2

Dimensional Drawing

2" Color 120 X 160 Dots Graphic



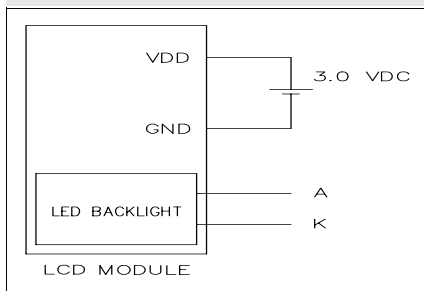
Features

Backlight.....LED
Options.....Color RGB
Bottom Viewing
Built-in DC/DC Converter for LCD power
Built-in Controller.....EPSON S1D15G00

Physical Data

Module Size.....39.7W x 83.05H x 3.3T mm
Viewing Area Size.....30.8W x 40.4H mm
Dot Pitch.....0.08W x 0.24H mm
Dot Size.....0.07W x 0.23H mm
Weight11.0g

Power Supply



Absolute Maximum Ratings

PARAMETER	SYMBOL	MIN	MAX	UNIT
SUPPLY VOLTAGE	$V_{DD}-V_{SS}$	-0.3	3.6	V
INPUT VOLTAGE	V_{IN}	-0.3	$V_{DD}+0.5$	V
OPERATING TEMPERATURE	T_{OP}	0	50	°C
STORAGE TEMPERATURE	T_{STG}	-20	70	°C

Electrical Characteristics (VDD=3.0±10%)

PARAMETER	SYM	CONDITION	MIN	TYP	MAX	UNIT
INPUT HIGH VOLTAGE	V_{IH}	-	$0.7 V_{DD}$	-	V_{DD}	V
INPUT LOW VOLTAGE	V_{IL}	-	0	-	$0.3 V_{DD}$	V
LCD Driving VOLTAGE	V_{OP}	25°C	11.0	11.3	11.6	V
Power Supply Current	I_{DD}	$V_{DD} = 3V$	-	1.5	2.3	mA
LED Forward Voltage	V_F	$I_F = 45 \text{ mA}$	-	5.0	-	V
LED Forward Current	I_F	$V_F = 5.0 \text{ V}$	-	45	60	mA
LED Power Consumption	P_F	-	-	0.23	-	W
DRIVE METHOD	1/160 DUTY					

Pin Connections

PIN NO.	SYMBOL	LEVEL	FUNCTION
1	V_{SS}	-	Ground
2			
3	REST	H/L	RESET
4	WR	H/L	Write Signal
5	RD	H/L	Read Signal
6	D7	H/L	Display data Bus
7	D6	H/L	
8	D5	H/L	
9	D4	H/L	
10	D3	H/L	
11	D2	H/L	
12	D1	H/L	
13	D0	H/L	
14	A0	H/L	H = Data, L = Command
15	CS	H/L	Chip Select Signal
16	CLS	H/L	Display Clock Selection H = Built-in Oscillator, L = External Clock
17	CL	H/L	Display Clock Input or Output
18	TEST	L	IC Test PIN, Should be Low in normal operation
19	V_{DD}	3V	Power Supply for Logic
20	V_{SS}	0V	Ground