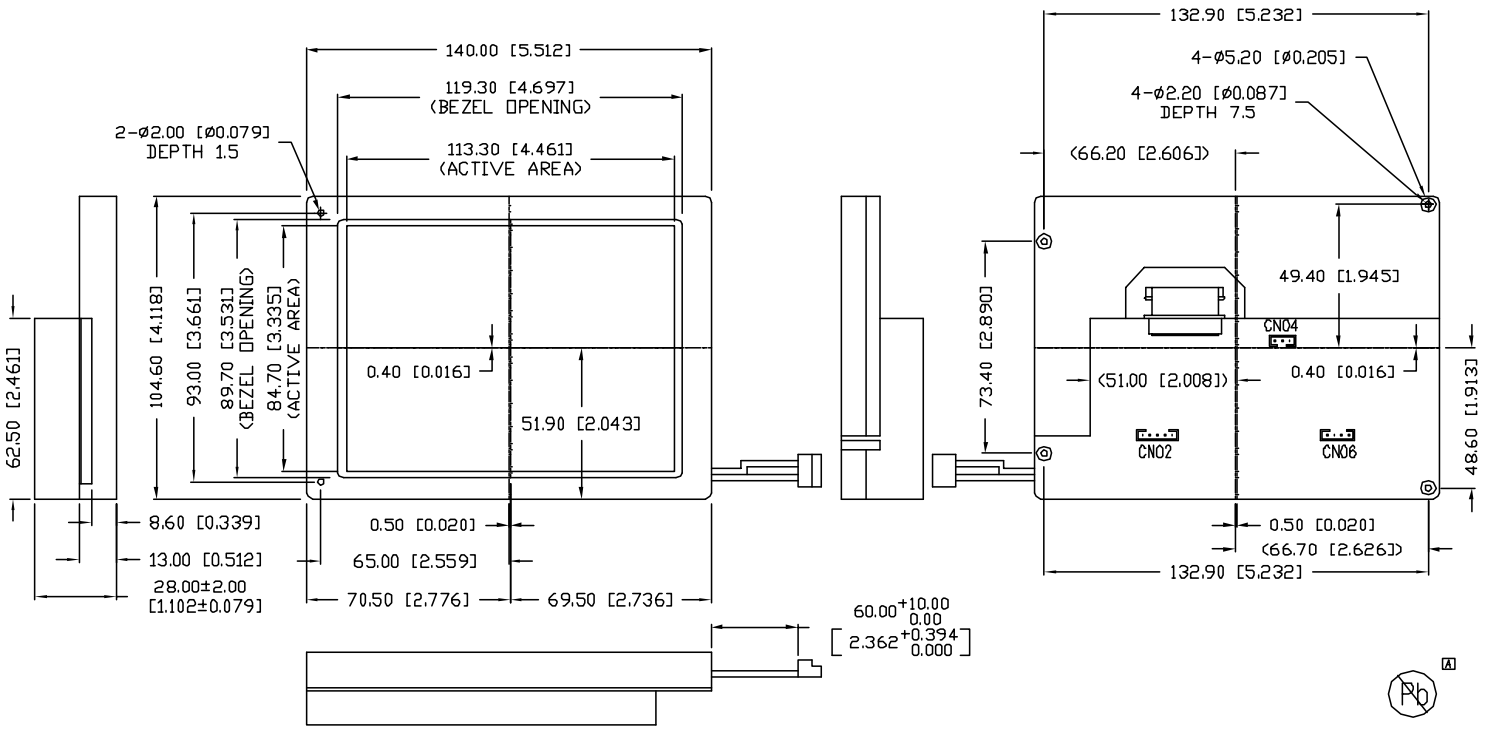


UNCONTROLLED DOCUMENT

PART NUMBER		REV.
LCM-960234GF-56FC		A
REV.	E.C.N. NUMBER AND REVISION COMMENTS	DATE
A	E.C.N. #11148.	4.25.07



*UNLESS OTHERWISE SPECIFIED TOLERANCES PER DECIMAL PRECISION ARE: X=±1 (±0.030), XX=±0.5 (±0.020), XXX=±0.25 (±0.010), XXXX=±0.127 (±0.005). LEAD SIZE=±0.05 (±0.002), LEAD LENGTH=±0.75 (±0.030). MIN= ±0.000 DECIMAL PRECISION MAX= +0.000 -DECIMAL PRECISION

UNCONTROLLED DOCUMENT

REV. A	PART NUMBER LCM-960234GF-56FC	<p>CONFIDENTIAL INFORMATION THE INFORMATION CONTAINED IN THIS DOCUMENT IS THE PROPERTY OF LUMEX INC. EXCEPT AS SPECIFICALLY AUTHORIZED IN WRITING BY LUMEX INC., THE HOLDER OF THIS DOCUMENT SHALL KEEP ALL INFORMATION CONTAINED HEREIN CONFIDENTIAL AND SHALL PROTECT SAME IN WHOLE OR IN PART FROM DISCLOSURE AND DISSEMINATION TO ALL THIRD PARTIES.</p> <p>RELIABILITY NOTE OUR MANY YEARS OF EXPERIENCE DATA ACCUMULATION INDICATE THAT SOLDER HEAT IS A MAJOR CAUSE OF EARLY AND FUTURE FAILURE. PLEASE PAY ATTENTION TO YOUR SOLDERING PROCESS.</p>	<p>290 E. HELEN ROAD PALATINE, IL 60067-6976 PHONE: +1.847.359.2790 US WEB: www.lumex.com TW WEB: www.lumex.com.tw</p>	<p>DRAWN BY: JC</p> <p>CHECKED BY:</p> <p>APPROVED BY:</p> <p>DATE: 12.3.98 PAGE: 1 OF 1 SCALE: N/A</p>
-----------	----------------------------------	---	--	---

5.6" COLOR TFT MODULE,
960 x 234 RESOLUTION.

UNCONTROLLED DOCUMENT

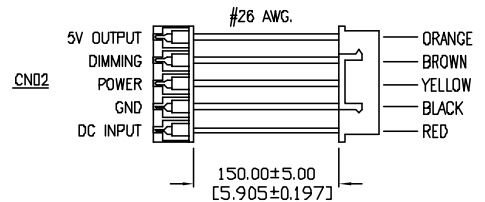
PART NUMBER		REV.
LCM-960234GF-56FC		A
REV.	E.C.N. NUMBER AND REVISION COMMENTS	DATE
A	SEE PAGE 1	

TFT MECHANICAL CHARACTERISTICS

DISPLAY SIZE	5.6" COLOR TFT LCD
RESOLUTION	960 (w) x 234 (h)
ACTIVE AREA	113.3 (w) x 84.7 (h)
DOT PITCH	0.118 (w) x 0.362 (h)
WEIGHT	280±5 g.
BACKLIGHT	CCFT (10,000 hr. MIN. AT Tamb=25°C)

PIN ASSIGNMENT FOR MAIN BOARD

CNO2 (5 PINS)				
PARAMETER	COLOR OF WIRE	VOLTAGE MIN.	VOLTAGE MAX.	CURRENT MIN. MAX.
DC INPUT	RED	1.0V	3.0V	- 0.8A
GND	BLACK	-	-	- -
POWER	YELLOW	0V	5V	0.5mA -
DIMMING	BROWN	0V	5V	0.5mA -
5V OUTPUT	ORANGE	4.8V	5.2V	- 3mA



TFT OPERATING CONDITIONS

PARAMETERS	SYMBOL	MIN	TYP	MAX	UNITS
OPERATING VOLTAGE	Vop	10	12	30	V.D.C.
OPERATING TEMP	Top	0°	~	50°	°C
STORAGE TEMP	Tstg	-25°	~	80°	°C
OPERATING HUMIDITY	Ho			85%	RH
STORAGE HUMIDITY	Hs			85%	RH
INPUT SIGNAL(NTSC)* SYNC NEGATIVE	V _i		1V _{p-p}		
	f _H		15.75		Khz
	f _V		60		Hz
	f _c		3.58		MHz
POWER CONSUMPTION	Pc			B	W

*COMPOSITE VIDEO SIGNAL 1V_{p-p}/75 OHMS.

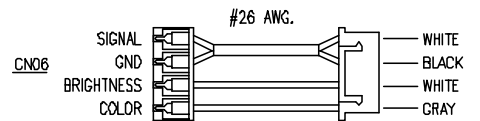
CNO4 (3 PINS)

PARAMETER	COLOR OF WIRE	GROUND	OPEN
V-REVERSE	VIOLET	REVERSE	-
H-REVERSE	BLUE	REVERSE	-
GROUND	BLACK	-	-



CNO6 (4 PINS)

PARAMETER	COLOR OF WIRE	VOLTAGE		CURRENT	
		MIN.	MAX.	MIN.	MAX.
SIGNAL	WHITE	0.8V _{p-p}	1.2V _{p-p}	-	-
GND	BLACK	-	-	-	-
BRIGHTNESS	WHITE	0V	5V	3mA	-
COLOR	GRAY	0V	5V	3mA	-



OPTICAL CHARACTERISTICS

VIEWING ANGLE	SYMBOL	MIN	TYP	MAX
	RIGHT	45°		
	LEFT	45°		
	UP	30°		
	DOWN	10°		

NOTES:

- CNO2, CNO4, & CNO6 ARE 2mm PITCH CONNECTORS.
- WIRE LENGTH 150mm.

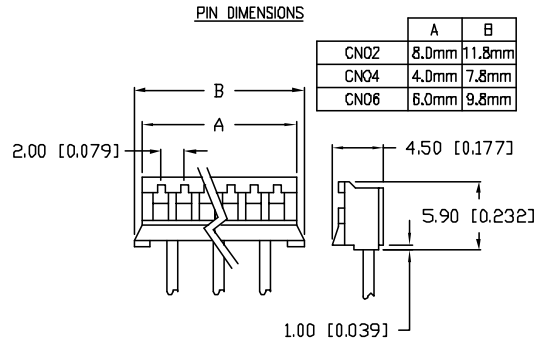
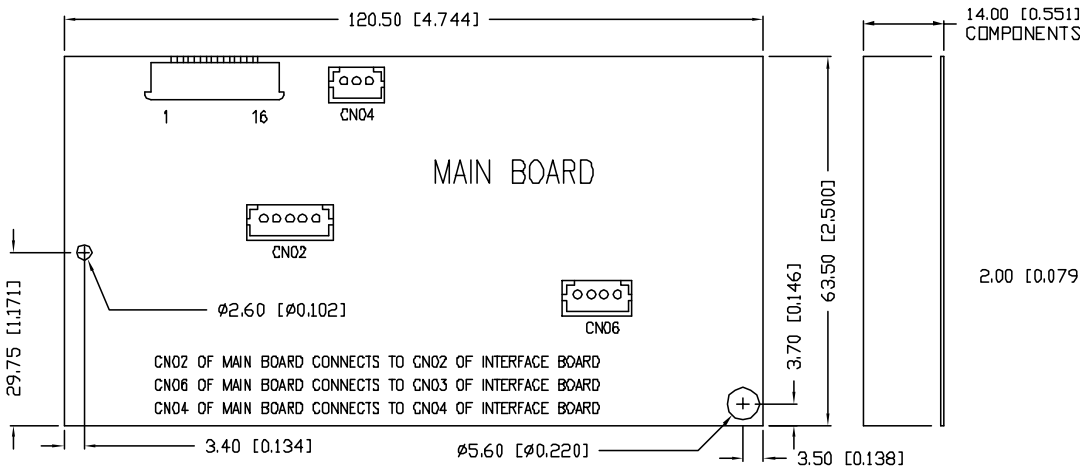
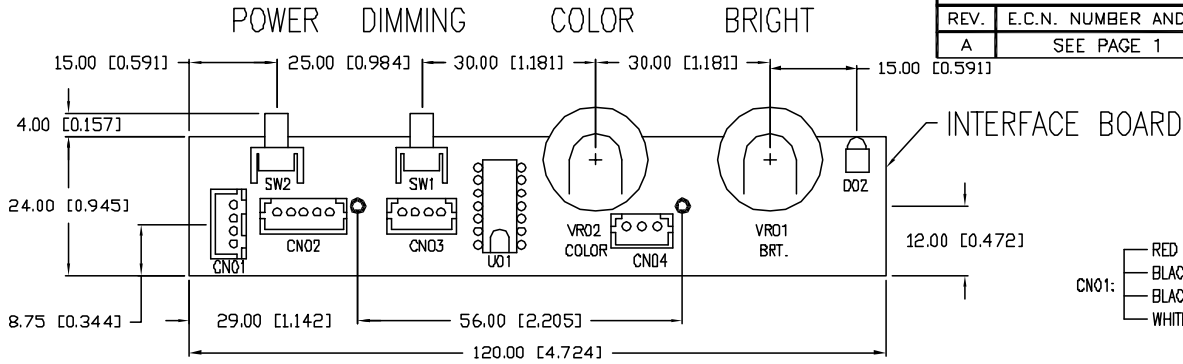
UNCONTROLLED DOCUMENT

*UNLESS OTHERWISE SPECIFIED TOLERANCES PER DECIMAL PRECISION ARE: X=±1 (±0.030), XX=±0.5 (±0.020), XXX=±0.25 (±0.010), XXXX=±0.127 (±0.005). LEAD SIZE=±0.05 (±0.002), LEAD LENGTH=±0.75 (±0.030). MIN.=+DECIMAL PRECISION MAX.=+DECIMAL PRECISION -0.00

REV. A	PART NUMBER LCM-960234GF-56FC	<p>CONFIDENTIAL INFORMATION</p> <p>THE INFORMATION CONTAINED IN THIS DOCUMENT IS THE PROPERTY OF LUMEX INC. EXCEPT AS SPECIFICALLY AUTHORIZED IN WRITING BY LUMEX INC., THE HOLDER OF THIS DOCUMENT SHALL KEEP ALL INFORMATION CONTAINED HEREIN CONFIDENTIAL AND SHALL PROTECT SAME IN WHOLE OR IN PART FROM DISCLOSURE AND DISSEMINATION TO ALL THIRD PARTIES.</p> <p>RELIABILITY NOTE</p> <p>OUR MANY YEARS OF EXPERIENCE DATA ACCUMULATION INDICATE THAT SOLDER HEAT IS A MAJOR CAUSE OF EARLY AND FUTURE FAILURE. PLEASE PAY ATTENTION TO YOUR SOLDERING PROCESS.</p>	<p>290 E. HELEN ROAD PALATINE, IL 60067-6976 PHONE: +1.847.359.2790 US WEB: www.lumex.com TW WEB: www.lumex.com.tw</p>
5.6" COLOR TFT MODULE, 960 x 234 RESOLUTION.		DRAWN BY: JC CHECKED BY: APPROVED BY:	DATE: 12.3.98 PAGE: 1 OF 1 SCALE: N/A

UNCONTROLLED DOCUMENT

PART NUMBER		REV.
LCM-960234GF-56FC		A
REV.	E.C.N. NUMBER AND REVISION COMMENTS	DATE
A	SEE PAGE 1	



UNCONTROLLED DOCUMENT

*UNLESS OTHERWISE SPECIFIED TOLERANCES PER DECIMAL PRECISION ARE: X=±1 (±0.030), XX=±0.5 (±0.020), XXX=±0.25 (±0.010), XXXX=±0.127 (±0.005). LEAD SIZE=±0.05 (±0.002), LEAD LENGTH=±0.75 (±0.030), MIN.=+DECIMAL PRECISION MAX.=+DECIMAL PRECISION -0.00

REV.	PART NUMBER	<p>CONFIDENTIAL INFORMATION</p> <p>THE INFORMATION CONTAINED IN THIS DOCUMENT IS THE PROPERTY OF LUMEX INC. EXCEPT AS SPECIFICALLY AUTHORIZED IN WRITING BY LUMEX INC., THE HOLDER OF THIS DOCUMENT SHALL KEEP ALL INFORMATION CONTAINED HEREIN CONFIDENTIAL AND SHALL PROTECT SAME IN WHOLE OR IN PART FROM DISCLOSURE AND DISSEMINATION TO ALL THIRD PARTIES.</p> <p>RELIABILITY NOTE</p> <p>OUR MANY YEARS OF EXPERIENCE DATA ACCUMULATION INDICATE THAT SOLDER HEAT IS A MAJOR CAUSE OF EARLY AND FUTURE FAILURE. PLEASE PAY ATTENTION TO YOUR SOLDERING PROCESS.</p>	<p>290 E. HELEN ROAD PALATINE, IL 60067-6976 PHONE: +1.847.359.2790 US WEB: www.lumex.com TW WEB: www.lumex.com.tw</p>
A	LCM-960234GF-56FC		
5.6" COLOR TFT MODULE, 960 x 234 RESOLUTION.		DRAWN BY:	CHECKED BY:
		JC	
		APPROVED BY:	DATE: 12.3.98
			PAGE: 1 OF 1
			SCALE: N/A