

UNCONTROLLED DOCUMENT

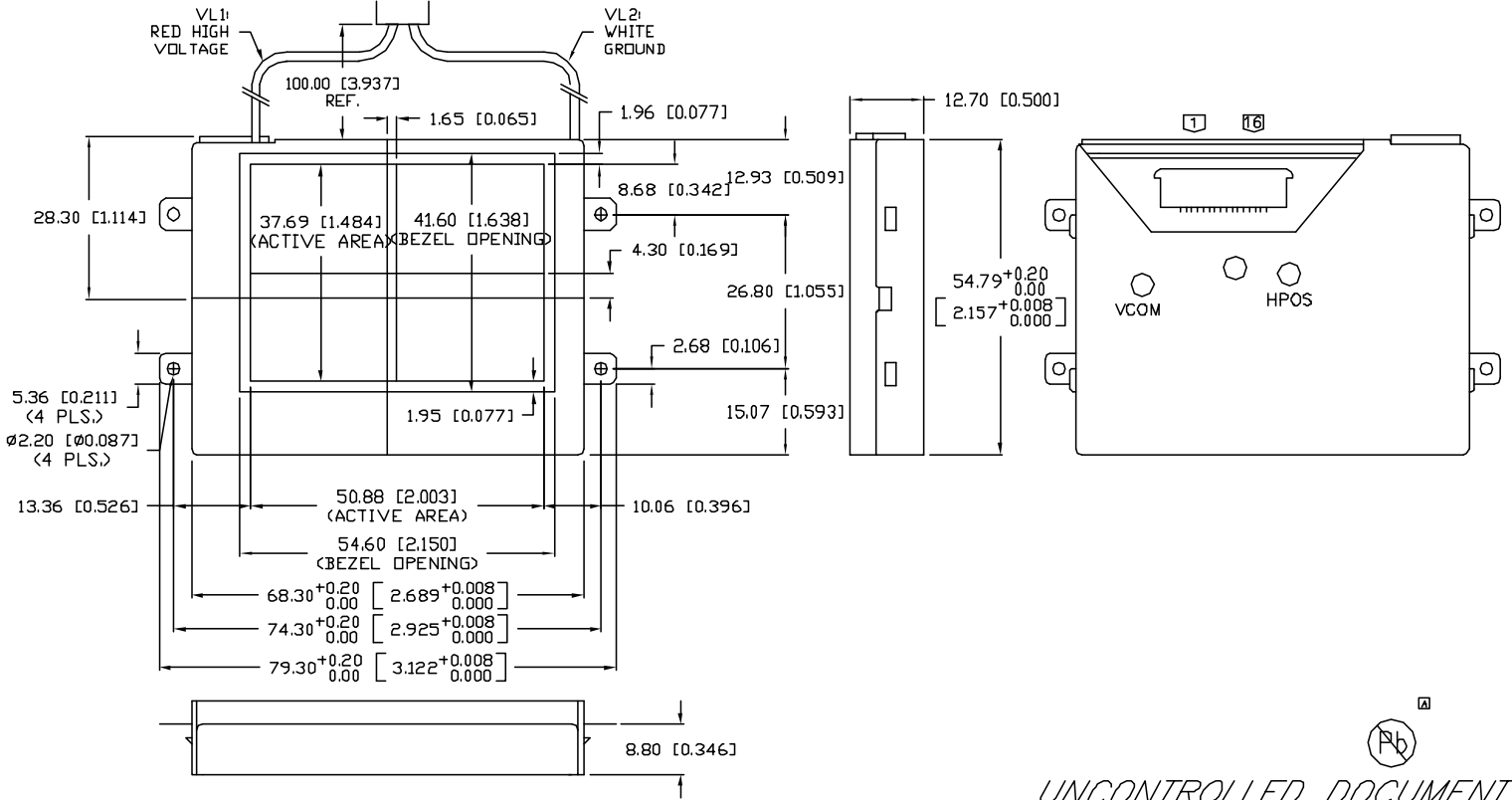
PART NUMBER  
LCM-480234GF-25PAL

REV.  
A

REV.	E.C.N. NUMBER AND REVISION COMMENTS	DATE
A	E.C.N. #11148.	4.25.07



VL1: RED HIGH VOLTAGE  
VL2: WHITE GROUND



\*UNLESS OTHERWISE SPECIFIED TOLERANCES PER DECIMAL PRECISION ARE: X=±1 [±0.038], XX=±0.5 [±0.020], XXX=±0.25 [±0.010], XXXX=±0.127 [±0.005]. LEAD SIZE=±0.05 [±0.002], LEAD LENGTH=±0.75 [±0.030], NN=DECIMAL PRECISION MAX.=+0.00 DECIMAL PRECISION



UNCONTROLLED DOCUMENT

REV.	PART NUMBER
A	LCM-480234GF-25PAL

**CONFIDENTIAL INFORMATION**  
THE INFORMATION CONTAINED IN THIS DOCUMENT IS THE PROPERTY OF LUMEX INC. EXCEPT AS SPECIFICALLY AUTHORIZED IN WRITING BY LUMEX INC., THE HOLDER OF THIS DOCUMENT SHALL KEEP ALL INFORMATION CONTAINED HEREIN CONFIDENTIAL AND SHALL PROTECT SAME IN WHOLE OR IN PART FROM DISCLOSURE AND DISSEMINATION TO ALL THIRD PARTIES.



290 E. HELEN ROAD  
PALATINE, IL 60067-6976  
PHONE: +1.847.359.2790  
US WEB: www.lumex.com  
TW WEB: www.lumex.com.tw

2.5" COLOR TFT MPDULE,  
480 x 234 RESOLUTION, PAL INPUT.

**RELIABILITY NOTE**  
OUR MANY YEARS OF EXPERIENCE DATA ACCUMULATION INDICATE THAT SOLDER HEAT IS A MAJOR CAUSE OF EARLY AND FUTURE FAILURE. PLEASE PAY ATTENTION TO YOUR SOLDERING PROCESS.

DRAWN BY:	CHECKED BY:	APPROVED BY:	DATE:
JC			1.24.00
			PAGE: 1 OF 1
			SCALE: N/A

UNCONTROLLED DOCUMENT

PART NUMBER		REV.
LCM-480234GF-25PAL		A
REV.	E.C.N. NUMBER AND REVISION COMMENTS	DATE
A	SEE PAGE 1	

TFT CHARACTERISTICS

DISPLAY SIZE	2.5" COLOR TFT LCD
RESOLUTION	480 (w) x 234 (h)
ACTIVE AREA	50.88 (w) x 37.67 (h)
DOT PITCH	0.106 (w) x 0.161 (h)
WEIGHT	120±5 g.
BACKLIGHT	CCFT (10,000 hr. MIN. AT Tamb=25°C)

TFT OPERATING CONDITIONS

PARAMETERS	SYMBOL	MIN	TYP	MAX	UNITS
OPERATING VOLTAGE	Vop	10	12	30	V.D.C.
OPERATING TEMP	Top	0°	~	50°	°C
STORAGE TEMP	Tstg	-25°	~	70°	°C
OPERATING HUMIDITY	Ho			85%	RH
STORAGE HUMIDITY	Hs			85%	RH
INPUT SIGNAL(PAL)*	Vi		1Vp-p		
SYNC NEGATIVE	fH		15.625		KHz
	fV		50		Hz
	fc		4.43		MHz
POWER CONSUMPTION	Pc			6	W

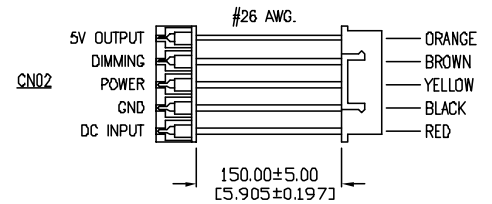
\*COMPOSITE VIDEO SIGNAL 1Vp-p/75 OHMS.

OPTICAL CHARACTERISTICS

	SYMBOL	MIN	TYP	MAX
VIEWING ANGLE	RIGHT	45°		
	LEFT	45°		
	UP	10°		
	DOWN	30°		

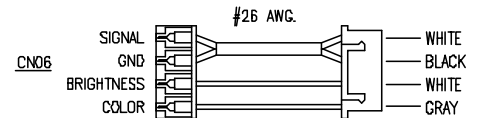
PIN ASSIGNMENT FOR MAIN BOARD

PARAMETER	COLOR OF WIRE	VOLTAGE		CURRENT	
		MIN.	MAX.	MIN.	MAX.
DC INPUT	RED	10V	30V	-	0.8A
GND	BLACK	-	-	-	-
POWER	YELLOW	0V	5V	0.5mA	-
DIMMING	BROWN	0V	5V	0.5mA	-
5V OUTPUT	ORANGE	4.8V	5.2V	-	3mA



PIN ASSIGNMENT FOR MAIN BOARD

PARAMETER	COLOR OF WIRE	VOLTAGE		CURRENT	
		MIN.	MAX.	MIN.	MAX.
SIGNAL	WHITE	0.8Vp-p	1.2Vp-p	-	-
GND	BLACK	-	-	-	-
BRIGHTNESS	WHITE	0V	5V	3mA	-
COLOR	GRAY	0V	5V	3mA	-



NOTES:

- CN02 & CN06 ARE 2mm PITCH CONNECTORS.
- WIRE LENGTH 150mm.

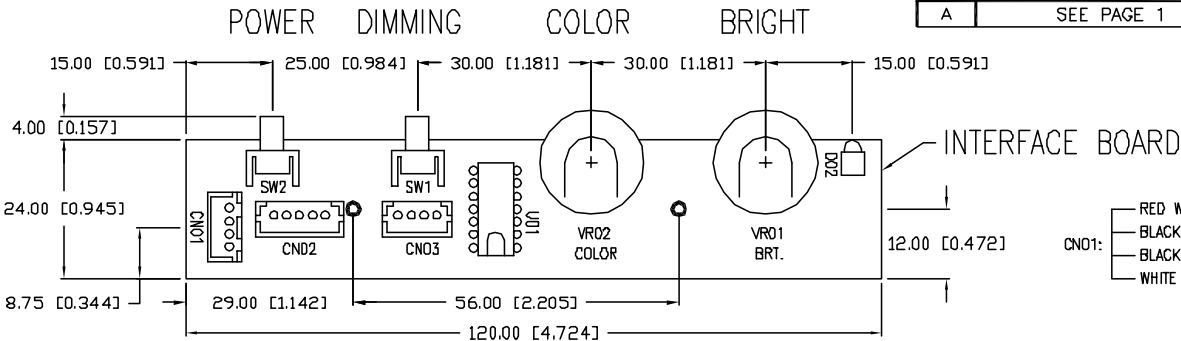
UNCONTROLLED DOCUMENT

\*UNLESS OTHERWISE SPECIFIED TOLERANCES PER DECIMAL PRECISION ARE: X=#1 (+0.039), X,X=#0.5 (+0.020), X,XX=#0.25 (+0.010), X,XXX=#0.127 (+0.006). LEAD SIZE=±0.05 (+0.002), LEAD LENGTH=±0.75 (+0.030). MIN.=+DECIMAL PRECISION-0.00, MAX.=+0.00-DECIMAL PRECISION

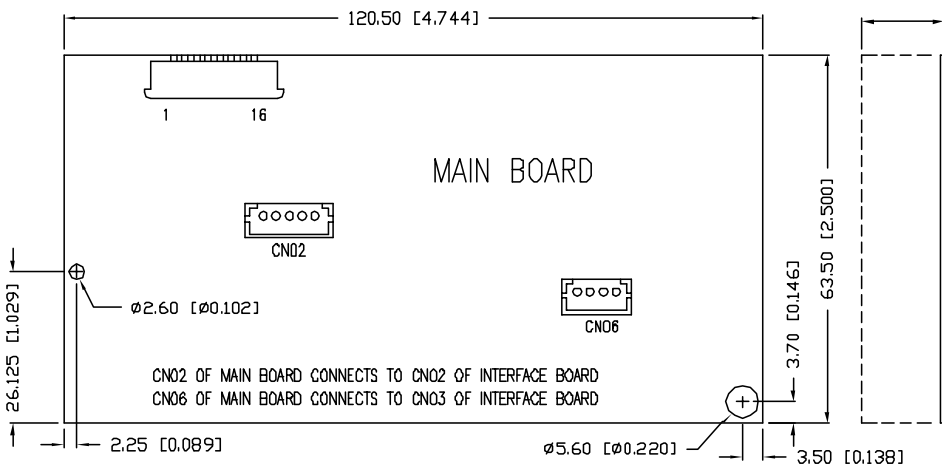
REV.	PART NUMBER	<p><b>CONFIDENTIAL INFORMATION</b></p> <p>THE INFORMATION CONTAINED IN THIS DOCUMENT IS THE PROPERTY OF LUMEX INC. EXCEPT AS SPECIFICALLY AUTHORIZED IN WRITING BY LUMEX INC., THE HOLDER OF THIS DOCUMENT SHALL KEEP ALL INFORMATION CONTAINED HEREIN CONFIDENTIAL AND SHALL PROTECT SAME IN WHOLE OR IN PART FROM DISCLOSURE AND DISSEMINATION TO ALL THIRD PARTIES.</p> <p><b>RELIABILITY NOTE</b></p> <p>OUR MANY YEARS OF EXPERIENCE DATA ACCUMULATION INDICATE THAT SOLDER HEAT IS A MAJOR CAUSE OF EARLY AND FUTURE FAILURE. PLEASE PAY ATTENTION TO YOUR SOLDERING PROCESS.</p>	<p>290 E. HELEN ROAD PALATINE, IL 60067-6976 PHONE: +1.847.359.2790 US WEB: www.lumex.com TW WEB: www.lumex.com.tw</p>
A	LCM-480234GF-25PAL		
2.5" COLOR TFT MPDULE, 480 x 234 RESOLUTION, PAL INPUT.		DRAWN BY:	CHECKED BY:
		JG	
		APPROVED BY:	DATE: 1.24.00
			PAGE: 1 OF 1
			SCALE: N/A

UNCONTROLLED DOCUMENT

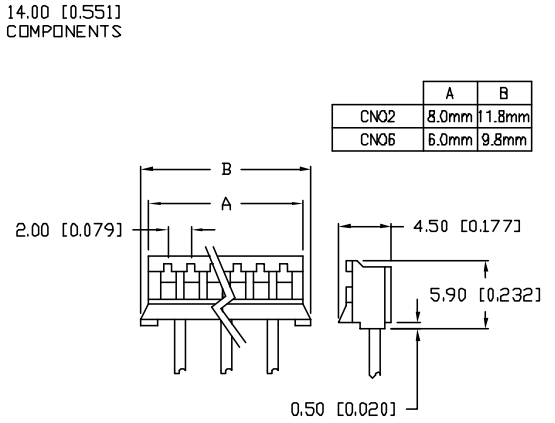
PART NUMBER		REV.
LCM-480234GF-25PAL		A
REV.	E.C.N. NUMBER AND REVISION COMMENTS	DATE
A	SEE PAGE 1	



- CNO1:
- RED WIRE: DC INPUT 12V
  - BLACK WIRE: GROUND
  - BLACK WIRE: GROUND
  - WHITE WIRE: COMPOSITE SIGNAL INPUT (PAL)




CNO2 OF MAIN BOARD CONNECTS TO CNO2 OF INTERFACE BOARD  
 CNO6 OF MAIN BOARD CONNECTS TO CNO3 OF INTERFACE BOARD



	A	B
CNO2	8.0mm	11.8mm
CNO6	6.0mm	9.8mm

\*UNLESS OTHERWISE SPECIFIED TOLERANCES PER DECIMAL PRECISION ARE: X=±1 (±0.039), XX=±0.5 (±0.020), XXX=±0.25 (±0.010), XXXX=±0.127 (±0.006). LEAD SIZE=±0.05 (±0.002), LEAD LENGTH=±0.75 (±0.030). MIN.=+DECIMAL PRECISION -0.00 MAX.=+0.00 -DECIMAL PRECISION

UNCONTROLLED DOCUMENT

REV. A	PART NUMBER LCM-480234GF-25PAL	<p><b>CONFIDENTIAL INFORMATION</b></p> <p>THE INFORMATION CONTAINED IN THIS DOCUMENT IS THE PROPERTY OF LUMEX INC. EXCEPT AS SPECIFICALLY AUTHORIZED IN WRITING BY LUMEX INC., THE HOLDER OF THIS DOCUMENT SHALL KEEP ALL INFORMATION CONTAINED HEREIN CONFIDENTIAL AND SHALL PROTECT SAME IN WHOLE OR IN PART FROM DISCLOSURE AND DISSEMINATION TO ALL THIRD PARTIES.</p> <p><b>RELIABILITY NOTE</b></p> <p>OUR MANY YEARS OF EXPERIENCE DATA ACCUMULATION INDICATE THAT SOLDER HEAT IS A MAJOR CAUSE OF EARLY AND FUTURE FAILURE. PLEASE PAY ATTENTION TO YOUR SOLDERING PROCESS.</p>	 <p>290 E. HELEN ROAD                  PALATINE, IL 60067-6976                  PHONE: +1.847.359.2790                  US WEB: www.lumex.com                  TW WEB: www.lumex.com.tw</p>
2.5" COLOR TFT MPDULE, 480 x 234 RESOLUTION, PAL INPUT.		DRAWN BY: JC CHECKED BY: APPROVED BY:	DATE: 1.24.00 PAGE: 1 OF 1 SCALE: N/A