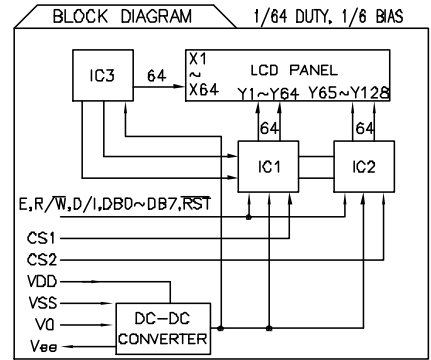
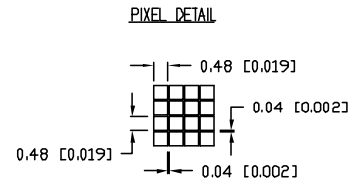
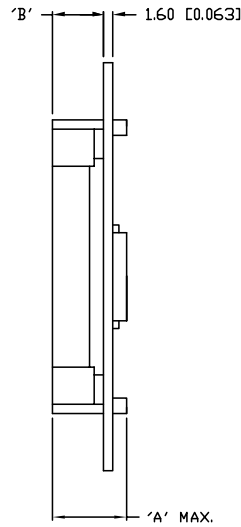
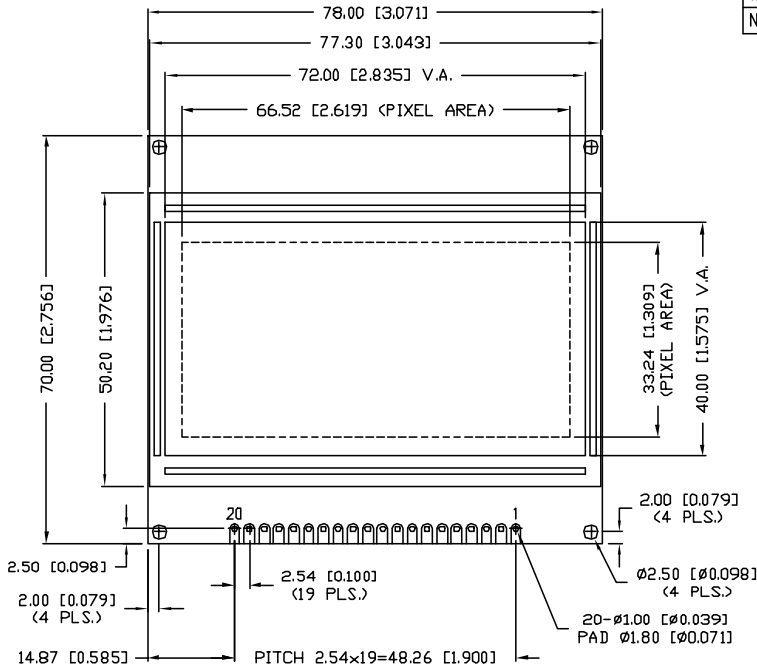


UNCONTROLLED DOCUMENT

PART NUMBER		REV.
LCM-X12864GXX/C		
REV.	E.C.N. NUMBER AND REVISION COMMENTS	DATE

P/N PREFIX/SUFFIX TABLE		
LCM-X	DX	DESCRIPTION
STANDARD	S	SR STN, REFLECTIVE
HIGH TEMP.	H	SF STN, TRANSFLECTIVE(W/ BACKLIGHT)

TYPE	DIM.	A	B
WITH BACKLIGHT		12.7	8.7
NO BACKLIGHT		8.8	4.8



CAUTION: STATIC SENSITIVE DEVICE
FOLLOW PROPER E.S.D. HANDLING PROCEDURES
WHEN WORKING WITH THIS PART.

UNCONTROLLED DOCUMENT

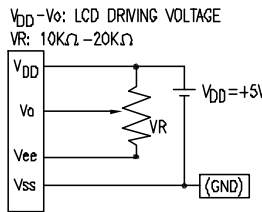
*UNLESS OTHERWISE SPECIFIED TOLERANCE IS ±0.25mm (±0.010")

REV.	PART NUMBER LCM-X12864GXX/C	<p>CONFIDENTIAL INFORMATION THE INFORMATION CONTAINED IN THIS DOCUMENT IS THE PROPERTY OF LUMEX INC. EXCEPT AS SPECIFICALLY AUTHORIZED IN WRITING BY LUMEX INC. THE HOLDER OF THIS DOCUMENT SHALL KEEP ALL INFORMATION CONTAINED HEREIN CONFIDENTIAL AND SHALL PROTECT SAME IN WHOLE OR IN PART FROM DISCLOSURE AND DISSEMINATION TO ALL THIRD PARTIES.</p> <p>RELIABILITY NOTE OUR MANY YEARS OF EXPERIENCE DATA ACCUMULATION INDICATE THAT SOLDER HEAT IS A MAJOR CAUSE OF EARLY AND FUTURE FAILURE. PLEASE PAY ATTENTION TO YOUR SOLDERING PROCESS.</p>	<p>LUMEX INCORPORATED</p> <p>290 E. HELLEN ROAD PALATINE, ILLINOIS 60067 PHONE: 1-847-359-2790 WEB: HTTP://WWW.LUMEX.COM</p>
128 x 64 DOT MATRIX GRAPHIC MODULE, 1/64 DUTY, 1/6 BIAS, WITH NEGATIVE CHARGE PUMP.	DRAWN BY: SA/BC	CHECKED BY:	APPROVED BY: DATE: 9-1-98 PAGE: 1 OF 2 SCALE: N/A

UNCONTROLLED DOCUMENT

PART NUMBER		REV.
LCM-X12864GXX/C		
REV.	E.C.N. NUMBER AND REVISION COMMENTS	DATE

PIN CONFIGURATION			
PIN NO.	SYMBOL	LEVEL	FUNCTION
1	V _{SS}	-	POWER SUPPLY
2	V _{DD}	-	
3	V _a	-	
4	D/I	H/L	REGISTER SELECT SIGNAL H: DATA INPUT L: INSTRUCTION INPUT
5	R/W	H/L	H: DATA READ (MODULE-->MPU) L: DATA WRITE (MODULE<--MPU)
6	E	H,H->L	ENABLE
7~14	DB0~DB7	H/L	DATA BUS
15	CS1	H/L	CHIP SELECTION SIGNAL FOR IC1
16	CS2	H/L	CHIP SELECTION SIGNAL FOR IC2
17	RST	-	RESET SIGNAL (ACTIVE "LOW")
18	V _{ee}	-	OUTPUT VOLTAGE FOR LCD DRIVING
19	A	-	ANODE LED BACKLIGHT
20	K	-	CATHODE LED BACKLIGHT



READ/WRITE TIMING FOR MPU INTERFACE				
PARAMETER	SYMBOL	MIN	MAX	UNIT
ADDRESS HOLD TIME	t _{AH}	10	-	ns
ADDRESS SETUP TIME	t _{AS}	140	-	ns
E CYCLE TIME	t _{CYC}	1000	-	ns
E HIGH LEVEL WIDTH	t _{WEH}	450	-	ns
E LOW LEVEL WIDTH	t _{WEL}	450	-	ns
DATA SETUP TIME	t _{DSW}	200	-	ns
DATA HOLD TIME (READ)	t _{DHR}	20	-	ns
DATA DELAY TIME	t _{DDR}	-	320	ns
DATA HOLD TIME (WRITE)	t _{DHW}	10	-	ns
E RISE TIME	t _r	-	25	ns
E FALL TIME	t _f	-	25	ns

ELECTRICAL CHARACTERISTICS		V _{DD} =4.75V to 5.25V, T _A =25°C					
ITEM	SYMBOL	CONDITION	STANDARD VALUE			UNIT	
			MIN.	TYP.	MAX.		
SUPPLY VOLTAGE FOR LOGIC	V _{DD} -V _{SS}	-	4.75	5.0	5.25	V	
SUPPLY CURRENT FOR LOGIC	I _{DD}	V _{DD} =5V	-	8.0	-	mA	
INPUT VOLTAGE	HIGH	V _{IH}	-	0.7*V _{DD}	-	V _{DD}	
	LOW	V _{IL}	-	0	-	0.3*V _{DD}	
*LED BACKLIGHT	VOLTAGE	V _f	I _f =300mA	-	4.2	4.5	V
	CURRENT	I _f	-	-	300	-	mA
	POWER CONSUMPTION	P _D	-	-	1260	-	mW
	LUMINOUS	L	I _f =300mA	60	90	-	cd/m ²
	COLOR	-	-	-	-	-	nm

*ONLY APPLIES TO MODULES WITH BACKLIGHT

ABSOLUTE MAXIMUM RATINGS					
ITEM	SYMBOL	TEST CONDITION	STANDARD VALUE		UNIT
			MIN	MAX	
SUPPLY VOLTAGE FOR LOGIC	V _{DD} -V _{SS}	T _a =25°C	-	7.0	V
SUPPLY VOLTAGE FOR LCD DRIVE	V _{DD} -V _o	-	10.8@40°C	12.4@0°C	V
INPUT VOLTAGE	V _I	T _a =25°C	V _{SS}	V _{DD}	V
OPERATING TEMPERATURE	T _{opr}	LCM-S	0	50	°C
		LCM-H	-20	70	°C
STORAGE TEMPERATURE	T _{stg}	LCM-S	-20	70	°C
		LCM-H	-30	85	°C

UNCONTROLLED DOCUMENT
*UNLESS OTHERWISE SPECIFIED TOLERANCE IS ±0.25mm (±0.010")

REV.	PART NUMBER LCM-X12864GXX/C	<p>CONFIDENTIAL INFORMATION THE INFORMATION CONTAINED IN THIS DOCUMENT IS THE PROPERTY OF LUMEX INC. EXCEPT AS SPECIALLY AUTHORIZED IN WRITING BY LUMEX INC., THE HOLDER OF THIS DOCUMENT SHALL KEEP ALL INFORMATION CONTAINED HEREIN CONFIDENTIAL AND SHALL PROTECT SAME IN WHOLE OR IN PART FROM DISCLOSURE AND DISSEMINATION TO ALL THIRD PARTIES.</p> <p>RELIABILITY NOTE OUR MANY YEARS OF EXPERIENCE DATA ACCUMULATION INDICATE THAT SOLDER HEAT IS A MAJOR CAUSE OF EARLY AND FUTURE FAILURE. PLEASE PAY ATTENTION TO YOUR SOLDERING PROCESS.</p>	<p>LUMEX INCORPORATED</p> <p>290 E. HELLEN ROAD PALATINE, ILLINOIS 60067 PHONE: 1-847-359-2790 WEB: HTTP://WWW.LUMEX.COM</p>
128 x 64 DOT MATRIX GRAPHIC MODULE, 1/64 DUTY, 1/6 BIAS, WITH NEGATIVE CHARGE PUMP.		<p>DRAWN BY: SA/BC</p> <p>CHECKED BY:</p> <p>APPROVED BY:</p>	<p>DATE: 9-1-98</p> <p>PAGE: 2 OF 2</p> <p>SCALE: N/A</p>