

NHD-C12864MZ-FSW-FTW

COG (Chip-On-Glass) Liquid Crystal Display Module

NHD-	Newhaven Display
C12864-	128 x 64 pixels
MZ-	Model
F-	Transflective
SW-	Side White LED backlight
F-	FSTN (+)
T-	12:00 view
W-	Wide Temp (-20°C ~ +70°C)
	RoHS Compliant

Newhaven Display International, Inc.

2511 Technology Drive, Suite 101

Elgin IL, 60124

Ph: 847-844-8795

Fax: 847-844-8796

www.newhavendisplay.com

nhtech@newhavendisplay.com

nhsales@newhavendisplay.com

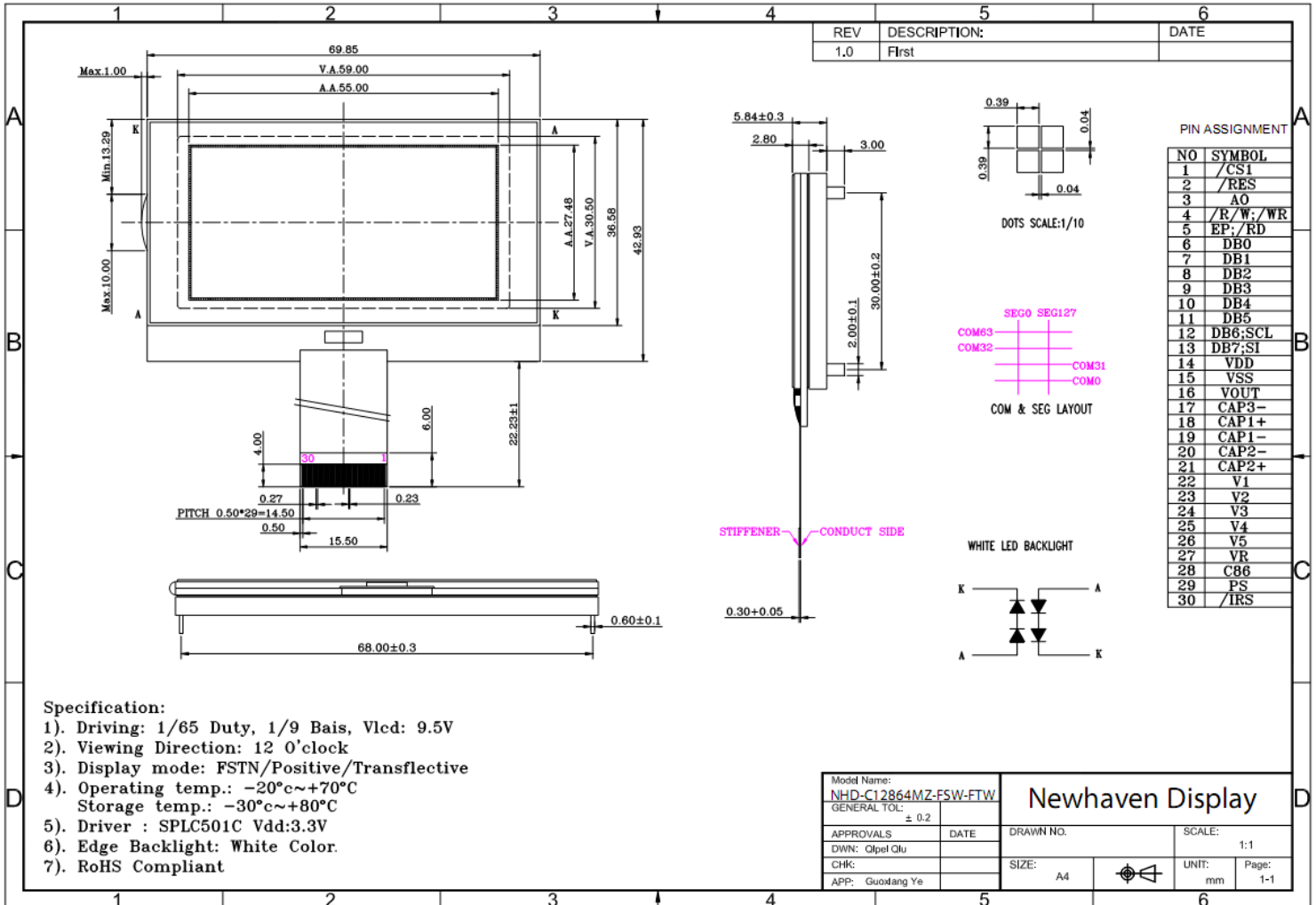
Document Revision History

Revision	Date	Description	Changed by
0	1/6/2006	Initial Release	-
1	1/7/2009	User guide reformat	BE
2	10/8/2009	Updated Backlight Information	MC
3			

Functions and Features

- 128 x 64 pixels
- 80 or 68 MPU interface
- Built-in SPLC501C controller
- +3.3V power supply
- 1/65 duty cycle; 1/9 bias
- RoHS Compliant

Mechanical Drawing



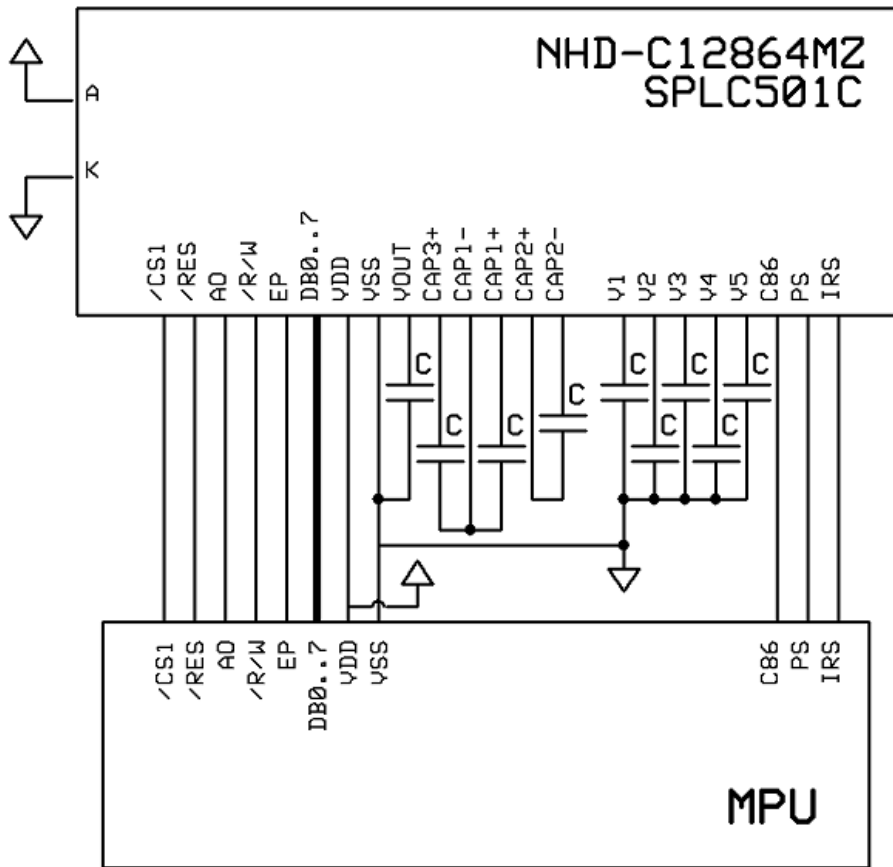
Pin Description and Wiring Diagram

Pin No.	Symbol	External Connection	Function Description	
1	/CS1	MPU	Active LOW chip select	
2	/RES	MPU	Active LOW Reset signal	
3	A0	MPU	Register select signal. 0: instruction; 1: data	
4	R/W	MPU	Read/write select signal. R/W=1: Read R/W=0: Write	
5	EP	MPU	Operation enable signal. Falling edge triggered.	
6	DB0	MPU	Parallel Interface DB0-DB7: Bi-directional 8-bit data bus Serial Interface: DB0-DB5: No connect in serial mode DB6= Serial clock (SCL) DB7= Serial data input (SI)	
7	DB1	MPU		
8	DB2	MPU		
9	DB3	MPU		
10	DB4	MPU		
11	DB5	MPU		
12	DB6	MPU		
13	DB7	MPU		
14	VDD	Power Supply		Power supply for LCD and logic (+3.3V)
15	VSS	Power Supply		Ground
16	VOUT	Power Supply		Connect to 1uF cap to VSS
17	CAP3-	Power Supply		Connect to 1uF cap to CAP1+ (PIN-18)
18	CAP1+	Power Supply		Connect to 1uF cap to CAP3-(PIN17) and CAP1-(PIN19)
19	CAP1-	Power Supply	Connect to 1uF cap to CAP1+ (PIN-18)	
20	CAP2-	Power Supply	Connect to 1uF cap to CAP2+ (PIN-21)	
21	CAP2+	Power Supply	Connect to 1uF cap to CAP2- (PIN-20)	
22	V1	Power Supply	1.0uF-2.2uF cap to VSS	
23	V2	Power Supply	1.0uF-2.2uF cap to VSS	
24	V3	Power Supply	1.0uF-2.2uF cap to VSS	
25	V4	Power Supply	1.0uF-2.2uF cap to VSS	
26	V5	Power Supply	1.0uF-2.2uF cap to VSS	
27	VR	-	No Connect	
28	C86	MPU	Select MPU interface pin. C86=H: 6800; C86=L: 8080	
29	PS	MPU	Parallel/Serial select. PS= H: Parallel; PS=L: Serial	
30	IRS	MPU	Internal resistor select (high to use internal resistors)	
A		Power Supply	Power supply for LED Backlight (+6.0V)	
K		Power Supply	Ground for Backlight	

Recommended LCD connector: 0.5mm Pitch, 30 pin FFC. Molex p/n: 52892-3095

Backlight connector: --

Mates with:--



Electrical Characteristics

Item	Symbol	Condition	Min.	Typ.	Max.	Unit
Operating Temperature Range	TOP	Absolute Max	-20	-	+70	°C
Storage Temperature Range	TST	Absolute Max	-30	-	+80	°C
Supply Voltage	VDD		3.0	3.3	3.5	V
Supply Current	IDD	Ta=25°C, VDD=3.3V	-	0.35	0.45	mA
Supply for LCD (contrast)	VDD-V0	Ta=25°C	-	9.5	-	V
"H" Level input	Vih		2.2	-	VDD	V
"L" Level input	Vil		0	-	0.6	V
"H" Level output	Voh		2.4	-	-	V
"L" Level output	Vol		-	-	0.4	V
LED BKL voltage	VLED		-	6.4	-	V
LED BKL current	ILED	VLED=6.4V	-	30	-	mA

Optical Characteristics

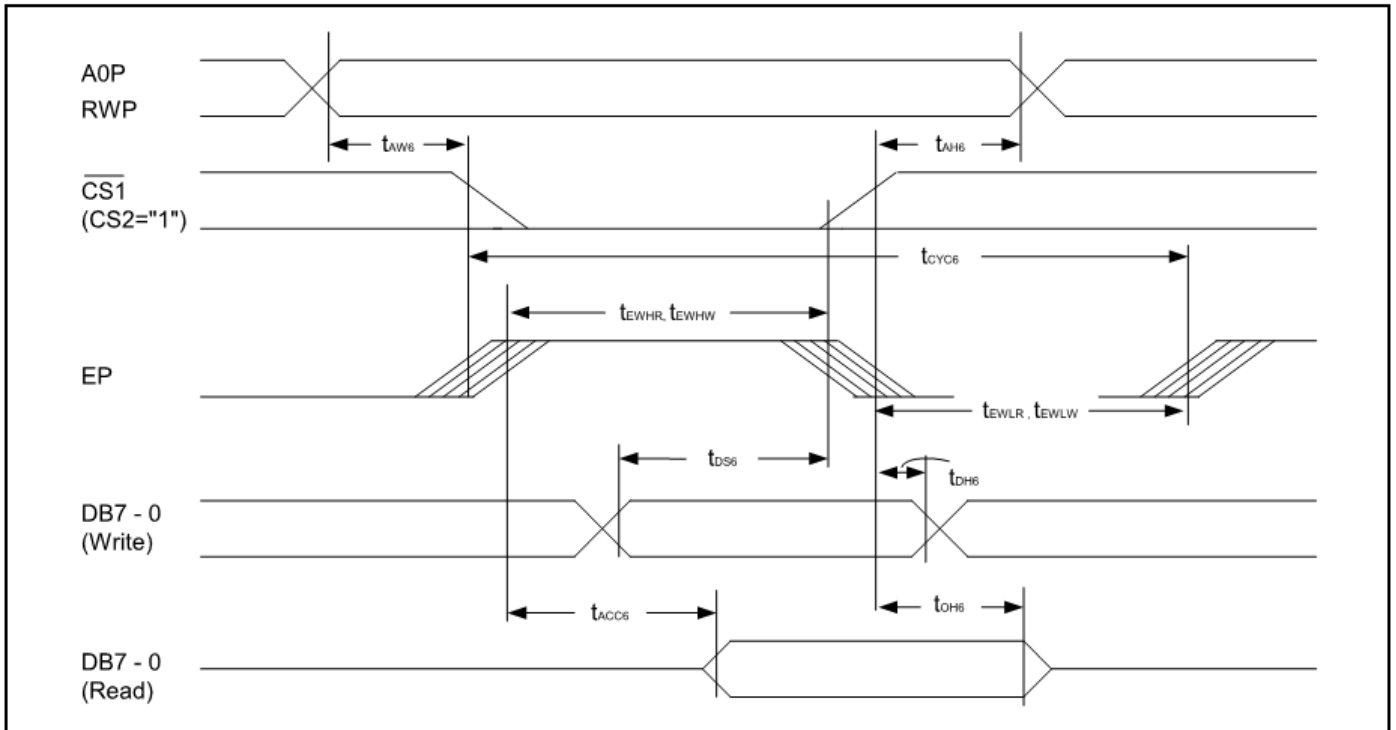
Item	Symbol	Condition	Min.	Typ.	Max.	Unit
Viewing Angle - Vertical		CR ≥ 2	-60	-	+35	°
Viewing Angle - Horizontal	Φ	CR ≥ 2	-40	-	+40	°
Contrast Ratio	CR		-	6	-	-
Response Time (rise)	Tr		-	150	250	ms
Response Time (fall)	Tf		-	150	250	ms

Controller Information

Built-in SPLC501C. Download specification at http://www.newhavendisplay.com/app_notes/SPLC501C.pdf

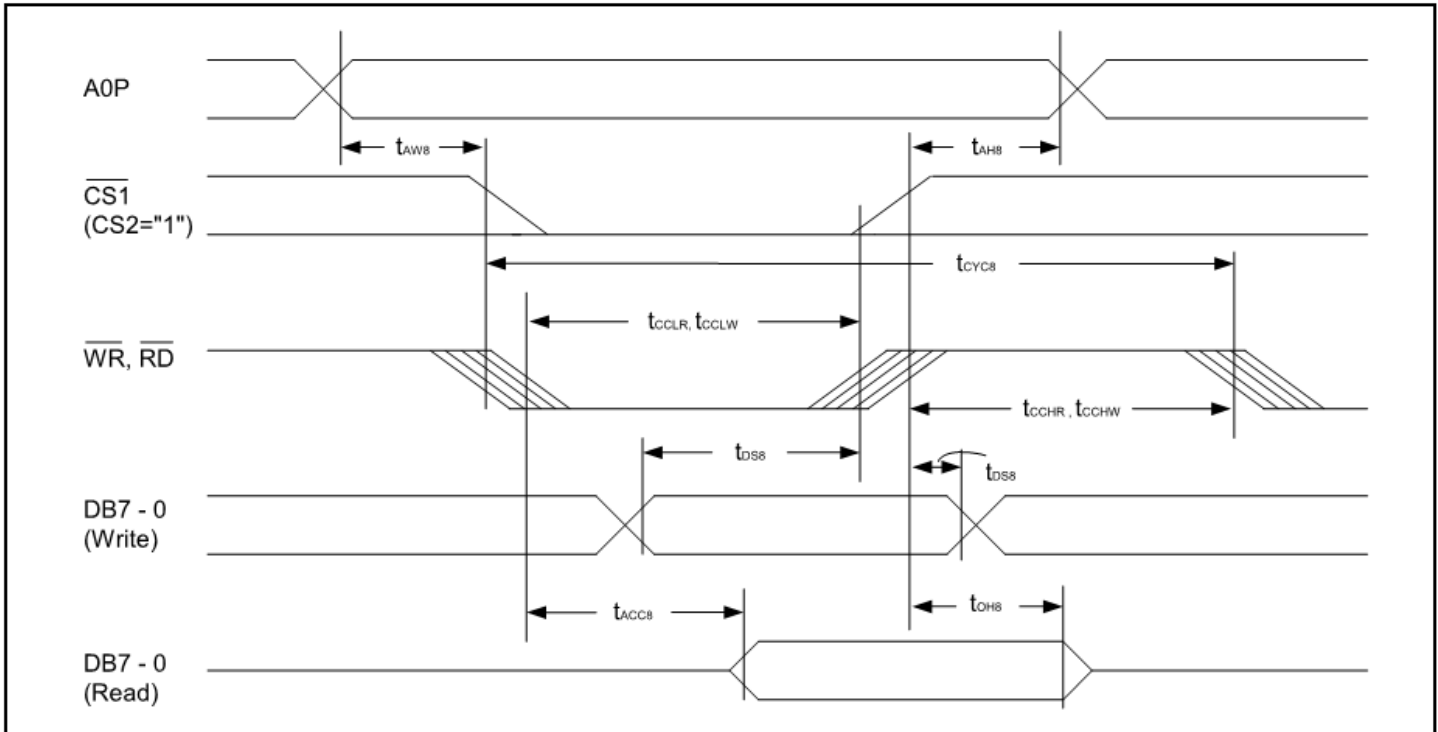
Timing Characteristics

8.6.2. System bus read/write characteristics 2 (6800 series MPU)



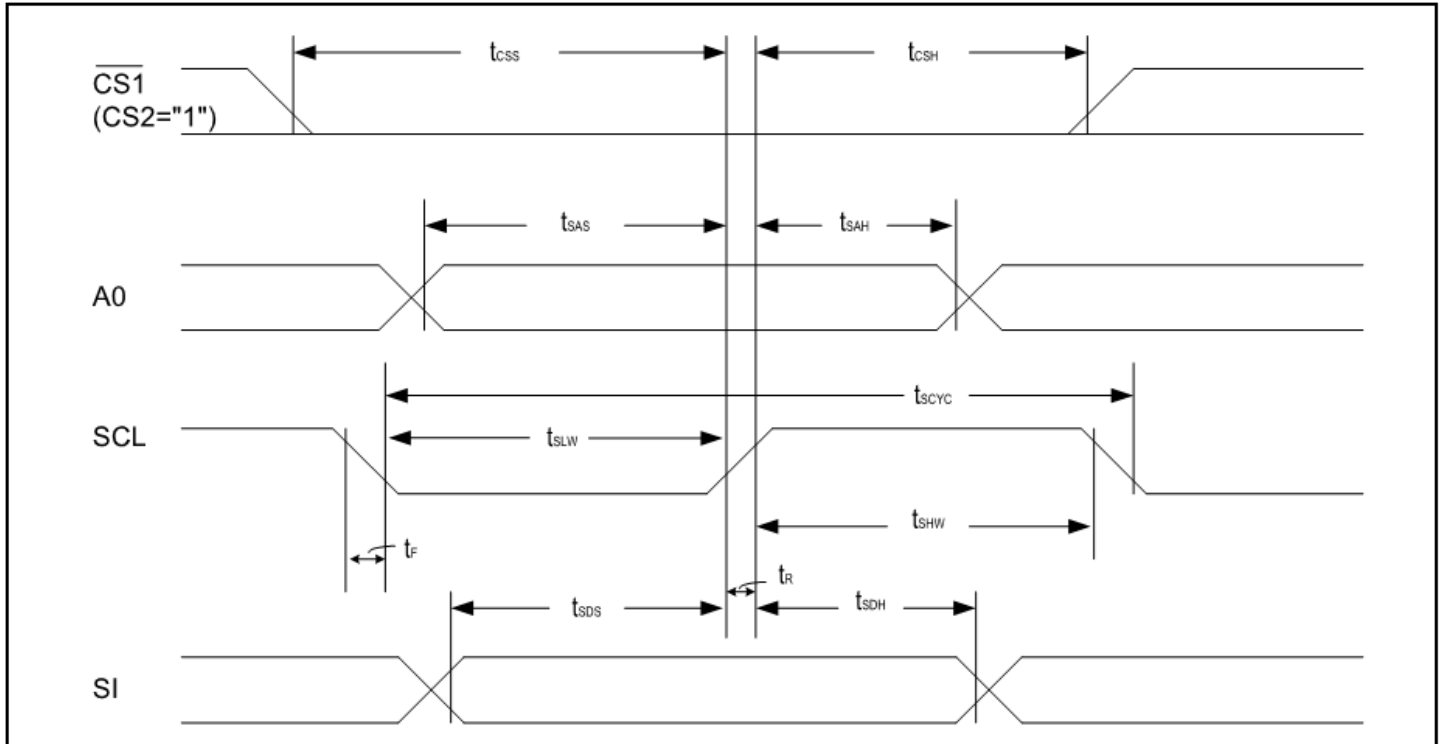
Item	Signal	Symbol	Condition	Rating		Units
				Min.	Max.	
Address hold time	A0P	t_{AH6}		0	-	ns
Address setup time	A0P	t_{AW6}		0	-	ns
System cycle time	A0P	t_{CYC6}		166	-	ns
Data setup time	DB7 - 0	t_{DS6}	$C_L = 100pF$	30	-	ns
Data hold time		t_{DH6}		10	-	ns
Access time	DB7 - 0	t_{ACC6}		-	70	ns
Output disable time		t_{OH6}	10	50	ns	
Enable H pulse time	Read	EP	t_{EWHR}	70	-	ns
	Write		t_{EWHW}	30	-	ns
Enable L pulse time	Read	EP	t_{EWLR}	30	-	ns
	Write		t_{EWLW}	30	-	ns

8.6.1. System bus read/write characteristics 1 (For the 8080 Series MPU)



Item	Signal	Symbol	Condition	Rating		Units
				Min.	Max.	
Address hold time	A0P	t_{AH8}		0	-	ns
Address setup time	A0P	t_{AW8}		0	-	ns
System cycle time	A0P	t_{CYC8}		300	-	ns
Control L pulse width (\overline{WR})	\overline{WR}	t_{CCLW}		60	-	ns
Control L pulse width (\overline{RD})	\overline{RD}	t_{CCLR}		120	-	ns
Control H pulse width (\overline{WR})	\overline{WR}	t_{CCHW}		60	-	ns
Control H pulse width (\overline{RD})	\overline{RD}	t_{CCHR}		60	-	ns
Data setup time	DB7 - 0	t_{DS8}		40	-	ns
Address hold time		t_{DH8}		15	-	ns
RD access time	DB7 - 0	t_{ACC8}	$C_L = 100\text{pF}$	-	140	ns
Output disable time		t_{OH8}		10	100	ns

The Serial Interface:



Item	Signal	Symbol	Condition	Rating		Units
				Min.	Max.	
Serial Clock Period		t_{SCYC}	-	200	-	ns
SCL 'H' pulse width	SCL	t_{SHW}	-	75	-	ns
SCL 'L' pulse width		t_{SLW}	-	75	-	ns
Address setup time	A0P	t_{SAS}	-	50	-	ns
Address hold time		t_{SAH}	-	100	-	ns
Data setup time	SI	t_{SDS}	-	50	-	ns
Data hold time		t_{SDH}	-	50	-	ns
CS-SCL time	CS	t_{CSS}	-	100	-	ns
		t_{CSH}	-	100	-	ns

Table of Commands

Command	Command Code										Function	
	A0P	RD	WR	DB7	DB6	DB5	DB4	DB3	DB2	DB1		DB0
1). Display ON/OFF	0	1	0	1	0	1	0	1	1	1	0	LCD display ON/OFF 0: OFF, 1: ON
2). Display start line set	0	1	0	0	1	Display start address					Sets the display RAM display start line address	
3). Page address set	0	1	0	1	0	1	1	Page address				Sets the display RAM page address
4). Column address set upper bit	0	1	0	0	0	0	1	Most significant column address				Sets the most significant 4 bits of the display RAM column address.
Column address set lower bit	0	1	0	0	0	0	0	Least significant column address				Set the least significant 4 bits of the display RAM column address.
5). Status read	0	0	1	Status				0	0	0	0	Reads the status data
6). Display data write	1	1	0	Write data								Writes to the display RAM
7). Display data read	1	0	1	Read data								Reads from the display RAM
8). ADC select	0	1	0	1	0	1	0	0	0	0	0	Sets the display RAM address SEG output correspondence 0: normal, 1:reverse
9). Display normal/reverse	0	1	0	1	0	1	0	0	1	1	0	Sets the LCD display normal/ reverse 0: normal, 1:reverse
10). Display all points ON/OFF	0	1	0	1	0	1	0	0	1	0	0	Display all points 0: normal display 1: all points ON
11). LCD bias set	0	1	0	1	0	1	0	0	0	1	0	Sets the LCD driver voltage bias ratio SPLC501C.....0:1/9, 1:1/7
12). Read/modify/write	0	1	0	1	1	1	0	0	0	0	0	Column address increment At write: +1 At read: 0
13). End	0	1	0	1	1	1	0	1	1	1	0	Clear read/modify/write
14). Reset	0	1	0	1	1	1	0	0	0	1	0	Internal reset
15). Common output mode select	0	1	0	1	1	0	0	0	*	*	*	Select COM output scan direction 0: normal direction, 1: reverse direction
16). Power control set	0	1	0	0	0	1	0	1	Operating mode			Select internal power supply operating mode
17). V _s voltage regulator internal resistor ratio set	0	1	0	0	0	1	0	0	Resistor ratio			Select internal resistor ratio (Rb/Ra) mode
18). Electronic volume mode set	0	1	0	1	0	0	0	0	0	0	1	Set the V _s output voltage electronic volume register
Electronic volume register set	0	1	0	*	*	Electronic volume value						

Command	Command Code											Function
	A0P	\overline{RD}	\overline{WR}	DB7	DB6	DB5	DB4	DB3	DB2	DB1	DB0	
19). Static indicator ON/OFF Static indicator Register set				1	0	1	0	1	1	0	0	0: OFF, 1: ON 1 Set the flashing mode
20). Page Blink Page selection	0	1	0	1	1	0	1	0	1	0	1	P7 - 0: 1 - blinking page 0 - no blinking, normal display
21). Driving Mode Set Mode selection	0	1	0	1	1	0	1	0	0	1	0	Set the driving mode register Driving capability (D1, D0): (1,1)>(0,0)>(0,1)>(1,0)
22). Power saver												Display OFF and display all points ON compound command
23). NOP	0	1	0	1	1	1	0	0	0	1	1	Command for non-operation
24). Test	0	1	0	1	1	1	1	*	*	*	*	Command for IC test. Do not use this command

Example Initialization Program

```
'-----  
Sub Init  
Reset P3.7          'set Read/write to '0' for write  
Reset P3.0          'RS  
Set P3.1            'reset  
Reset P3.4 'E  
'Set P3.3  
'Reset P3.3  
Waitms 2  
'Set P3.3  
Waitms 20  
A = &HA2            '1/9 BIAS  
Call Writecom  
A = &HA0            'ADC SELECT , NORMAL  
Call Writecom  
A = &HC8            'COM OUTPUT REVERSE  
Call Writecom  
A = &HA4            'DISPLAY ALL POINTS NORMAL  
Call Writecom  
A = &H40            'DISPLAY START LINE SET  
Call Writecom  
A = &H25            'INTERNAL RESISTOR RATIO  
Call Writecom  
A = &H81            'ELECTRONIC VOLUME MODE SET  
Call Writecom  
A = &H10            'ELECTRONIC VOLUME  
Call Writecom  
A = &H2F            'POWER CONTROLLER SET  
Call Writecom  
A = &HAF            'DISPLAY ON  
Call Writecom  
End Sub
```

```
'-----  
Sub Writecom  
Reset P3.0          'A0 low  
Reset P3.7          'R/W low  
Set P3.6            'CS1  
Set P3.4            'E  
P1 = A  
Reset P3.4  
Reset P3.6  
Reset P3.7  
End Sub
```

```
Sub Writedata  
Set P3.0            'A0 high  
Reset P3.7          'R/W low  
Set P3.6            'CS1  
Set P3.4            'E  
P1 = A  
Reset P3.4  
Reset P3.6  
Reset P3.7  
End Sub  
'-----
```

Quality Information

Test Item	Content of Test	Test Condition	Note
High Temperature storage	Endurance test applying the high storage temperature for a long time.	+80°C , 48hrs	2
Low Temperature storage	Endurance test applying the low storage temperature for a long time.	-30°C , 48hrs	1,2
High Temperature Operation	Endurance test applying the electric stress (voltage & current) and the high thermal stress for a long time.	+70°C 48hrs	2
Low Temperature Operation	Endurance test applying the electric stress (voltage & current) and the low thermal stress for a long time.	-20°C , 48hrs	1,2
High Temperature / Humidity Operation	Endurance test applying the electric stress (voltage & current) and the high thermal with high humidity stress for a long time.	+40°C , 90% RH , 48hrs	1,2
Thermal Shock resistance	Endurance test applying the electric stress (voltage & current) during a cycle of low and high thermal stress.	-0°C,30min -> 25°C,5min -> 50°C,30min = 1 cycle 10 cycles	
Vibration test	Endurance test applying vibration to simulate transportation and use.	10-55Hz , 15mm amplitude. 60 sec in each of 3 directions X,Y,Z For 15 minutes	3
Static electricity test	Endurance test applying electric static discharge.	VS=800V, RS=1.5kΩ, CS=100pF One time	

Note 1: No condensation to be observed.

Note 2: Conducted after 4 hours of storage at 25°C, 0%RH.

Note 3: Test performed on product itself, not inside a container.

Precautions for using LCDs/LCMs

See Precautions at www.newhavendisplay.com/specs/precautions.pdf

Warranty Information and Terms & Conditions

http://www.newhavendisplay.com/index.php?main_page=terms