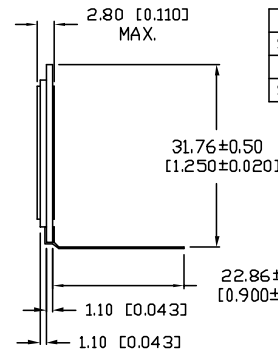
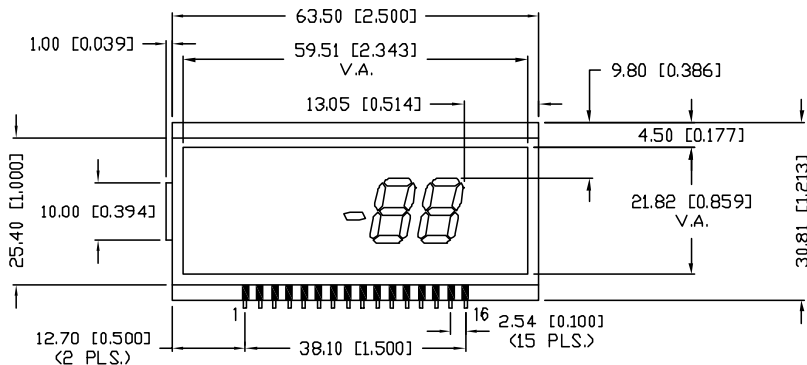


UNCONTROLLED DOCUMENT

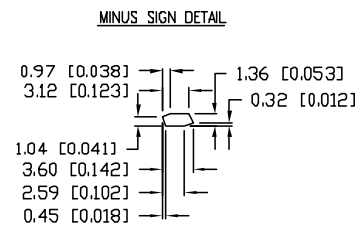
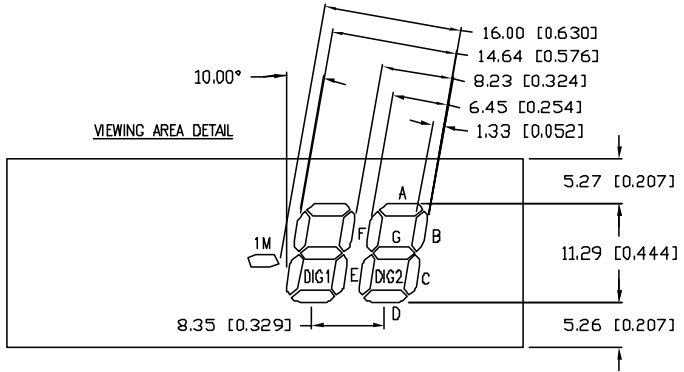
PART NUMBER  
LCD-S201M44TMN-1

REV.  
B

REV.	E.C.N. NUMBER AND REVISION COMMENTS	DATE
A	E.C.N. #10565./ PIN LENGTH.	11-10-99
B	E.C.N. #11148.	02.08.07



PIN NO.	1	2	3	4	5	6	7	8
SEGMENT	1M	1A	1B	1C	1D	1E	1F	1G
PIN NO.	9	10	11	12	13	14	15	16
SEGMENT	COM	2A	2B	2C	2D	2E	2F	2G



CHARACTERISTICS	
FLUID TYPE	TN
BACKGROUND COLOR	BLUE
VIEWING DIRECTION	12:00
DISPLAY MODE	NEGATIVE TRANSMISSIVE
OPERATING VOLTAGE	3.0~5.0V A.C.
OPERATING TEMP.	0°C TO 50°C
STORAGE TEMP.	-20°C TO 70°C
DRIVING METHOD	STATIC
CONNECTION TYPE	16 PINS

\*UNLESS OTHERWISE SPECIFIED TOLERANCES PER DECIMAL PRECISION ARE: X=±1 [±0.038], XX=±0.5 [±0.020], XXX=±0.25 [±0.010], XXXX=±0.127 [±0.006]. LEAD SIZE=±0.05 [±0.002], LEAD LENGTH=±0.75 [±0.030], NN=DECIMAL PRECISION MAX.=+0.00 DECIMAL PRECISION

UNCONTROLLED DOCUMENT

REV. B	PART NUMBER LCD-S201M44TMN-1
-----------	---------------------------------

**CONFIDENTIAL INFORMATION**  
THE INFORMATION CONTAINED IN THIS DOCUMENT IS THE PROPERTY OF LUMEX INC. EXCEPT AS SPECIFICALLY AUTHORIZED IN WRITING BY LUMEX INC., THE HOLDER OF THIS DOCUMENT SHALL KEEP ALL INFORMATION CONTAINED HEREIN CONFIDENTIAL AND SHALL PROTECT SAME IN WHOLE OR IN PART FROM DISCLOSURE AND DISSEMINATION TO ALL THIRD PARTIES.



290 E. HELEN ROAD  
PALATINE, IL 60067-6976  
PHONE: +1.847.359.2790  
US WEB: www.lumex.com  
TW WEB: www.lumex.com.tw

0.44" TWO DIGIT CUSTOM LCD PANEL, TN,  
NEGATIVE TRANSMISSIVE, TOP VIEW, 16 PINS.

**RELIABILITY NOTE**  
OUR MANY YEARS OF EXPERIENCE DATA ACCUMULATION INDICATE THAT SOLDER HEAT IS A MAJOR CAUSE OF EARLY AND FUTURE FAILURE. PLEASE PAY ATTENTION TO YOUR SOLDERING PROCESS.

DRAWN BY: JC	CHECKED BY:	APPROVED BY:	DATE: 7.19.99 PAGE: 1 OF 1 SCALE: N/A
-----------------	-------------	--------------	---