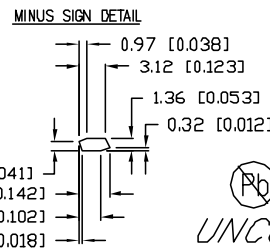
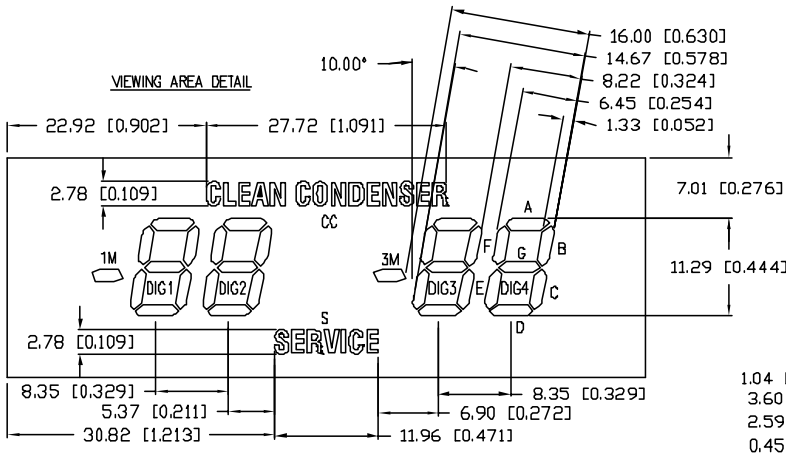
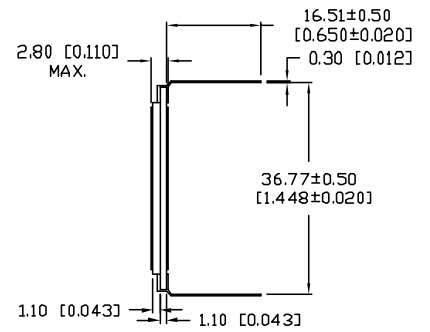
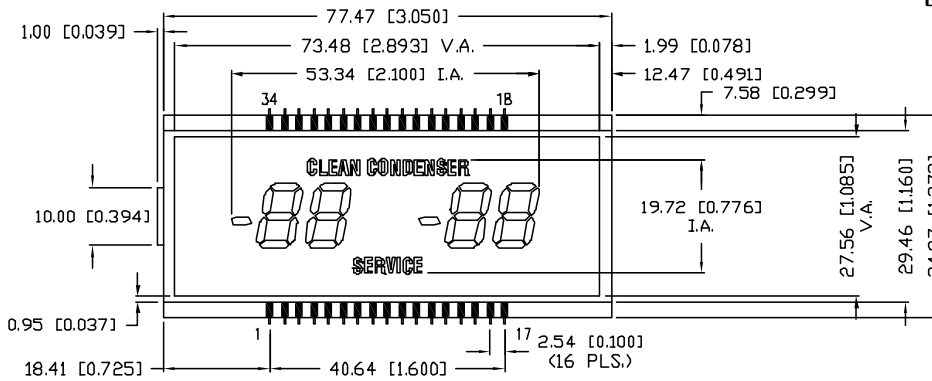


UNCONTROLLED DOCUMENT

PART NUMBER		REV.
LCD-S401M44TMN		A
REV.	E.C.N. NUMBER AND REVISION COMMENTS	DATE
A	E.C.N. #11148.	02.08.07



PIN NO.	1	2	3	4	5	6	7	8	9
SEGMENT	1G	1E	1D	1C	2G	2E	2D	2C	S
PIN NO.	10	11	12	13	14	15	16	17	18
SEGMENT	3G	3E	3D	3C	4G	4E	4D	4C	4B
PIN NO.	19	20	21	22	23	24	25	26	27
SEGMENT	4A	4F	3B	3A	3F	3M	CC	2B	2A
PIN NO.	28	29	30	31	32	33	34		
SEGMENT	2F	1B	1A	1F	1M	N/C	COM		

CHARACTERISTICS	
FLUID TYPE	TN
BACKGROUND COLOR	BLUE
VIEWING DIRECTION	6:00
DISPLAY MODE	NEGATIVE TRANSMISSIVE
OPERATING VOLTAGE	3.0~5.0V A.C.
OPERATING TEMP.	0°C TO 50°C
STORAGE TEMP.	-20°C TO 70°C
DRIVING METHOD	STATIC
CONNECTION TYPE	34 PINS

UNCONTROLLED DOCUMENT

REV.	PART NUMBER
A	LCD-S401M44TMN
0.44" FOUR DIGIT CUSTOM LCD PANEL, TN, NEGATIVE TRANSMISSIVE, 34 PINS.	

CONFIDENTIAL INFORMATION
 THE INFORMATION CONTAINED IN THIS DOCUMENT IS THE PROPERTY OF LUMEX INC. EXCEPT AS SPECIFICALLY AUTHORIZED IN WRITING BY LUMEX INC., THE HOLDER OF THIS DOCUMENT SHALL KEEP ALL INFORMATION CONTAINED HEREIN CONFIDENTIAL AND SHALL PROTECT SAME IN WHOLE OR IN PART FROM DISCLOSURE AND DISSEMINATION TO ALL THIRD PARTIES.

RELIABILITY NOTE
 OUR MANY YEARS OF EXPERIENCE DATA ACCUMULATION INDICATE THAT SOLDER HEAT IS A MAJOR CAUSE OF EARLY AND FUTURE FAILURE. PLEASE PAY ATTENTION TO YOUR SOLDERING PROCESS.

290 E. HELEN ROAD
 PALATINE, IL 60067-6976
 PHONE: +1.847.359.2790
 US WEB: www.lumex.com
 TW WEB: www.lumex.com.tw

DRAWN BY:	CHECKED BY:	APPROVED BY:	DATE: 10.29.99
JC			PAGE: 1 OF 1
			SCALE: N/A