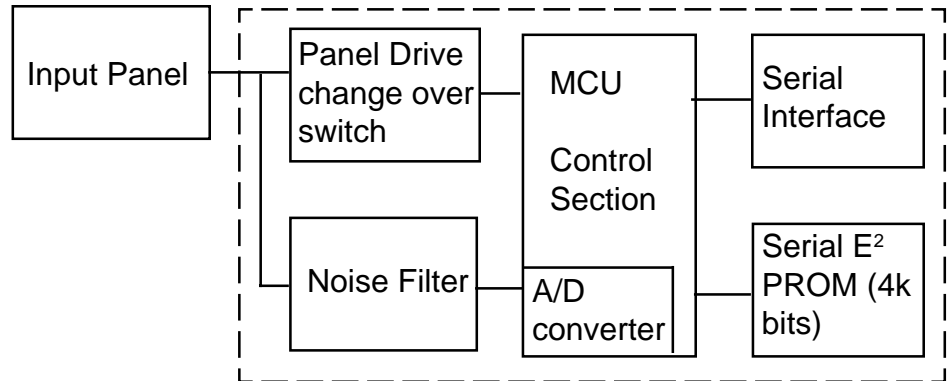


# STANDARD Micro Controller Specification

## N010-0559-V022 Serial Interface Controller Chip

### 7- Wire Series Summary Sheet

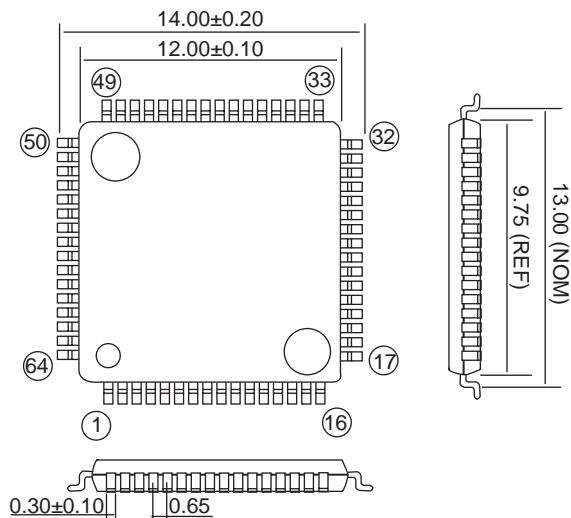


#### ■ FEATURES

- High quality and reliability touch panel controller
- Serial Interface (RS-232)
- Used to control the 7-Wire resistive touch panels

#### ■ CONSTRUCTION

- 64 pin PQFP MCU with masked ROM



1	Unused	17	Unused	33	Unused	49	Vss
2	S/P*	18	Unused	34	Unused	50	EROMCS
3	PMSR	19	*RST	35	Unused	51	Unused
4	EMSR1	20	MOD0	36	Unused	52	EROMS1
5	EMSR2	21	MOD1	37	Unused	53	EROMS0
6	EMSR3	22	X0	38	Unused	54	EROMCK
7	EMSR4	23	X1	39	Unused	55	RXD
8	Unused	24	Vss	40	Unused	56	Vcc
9	Unused	25	Unused	41	Unused	57	TXD
10	Unused	26	Unused	42	*PSW0	58	UCK1
11	Avcc	27	Unused	43	Unused	59	UCK0
12	AVR	28	Unused	44	Unused	60	Unused
13	Avss	29	PSW4	45	Unused	61	Unused
14	CSEL	30	*PSW3	46	Unused	62	Unused
15	*PINT	31	PSW2	47	Unused	63	OS1
16	*RXINT	32	*PSW1	48	Unused	64	OS0

# Serial Interface Controller Chip

## ■ PART NUMBER OF COMPLETE CHIP SPECIFICATION

Part Number	Number of Pages	Full Technical Documentation Reference
N010-0559-V021	34	Tech Bes N-25004

### Fujitsu Components International Headquarter Offices

#### Japan

Fujitsu Component Limited  
Gotanda-Chuo Building  
3-5, Higashigotanda 2-chome, Shinagawa-ku  
Tokyo 141, Japan  
Tel: (81-3) 5449-7010  
Fax: (81-3) 5449-2626  
Email: [promothq@ft.ed.fujitsu.com](mailto:promothq@ft.ed.fujitsu.com)  
Web: [www.fcl.fujitsu.com](http://www.fcl.fujitsu.com)

#### North and South America

Fujitsu Components America, Inc.  
250 E. Caribbean Drive  
Sunnyvale, CA 94089 U.S.A.  
Tel: (1-408) 745-4900  
Fax: (1-408) 745-4970  
Email: [marcom@fcai.fujitsu.com](mailto:marcom@fcai.fujitsu.com)  
Web: [www.fcai.fujitsu.com](http://www.fcai.fujitsu.com)

#### Europe

Fujitsu Components Europe B.V.  
Diamantlaan 25  
2132 WV Hoofddorp  
Netherlands  
Tel: (31-23) 5560910  
Fax: (31-23) 5560950  
Email: [info@fceu.fujitsu.com](mailto:info@fceu.fujitsu.com)  
Web: [www.fceu.fujitsu.com](http://www.fceu.fujitsu.com)

#### Asia Pacific

Fujitsu Components Asia Ltd.  
102E Pasir Panjang Road  
#04-01 Citilink Warehouse Complex  
Singapore 118529  
Tel: (65) 375-8560  
Fax: (65) 273-3021  
Email: [fcal@fcal.fujitsu.com](mailto:fcal@fcal.fujitsu.com)  
[www.fcal.fujitsu.com](http://www.fcal.fujitsu.com)

© 2004 Fujitsu Components America, Inc. All company and product names are trademarks or registered trademarks of their respective owners. Rev. 04/28/2004.