

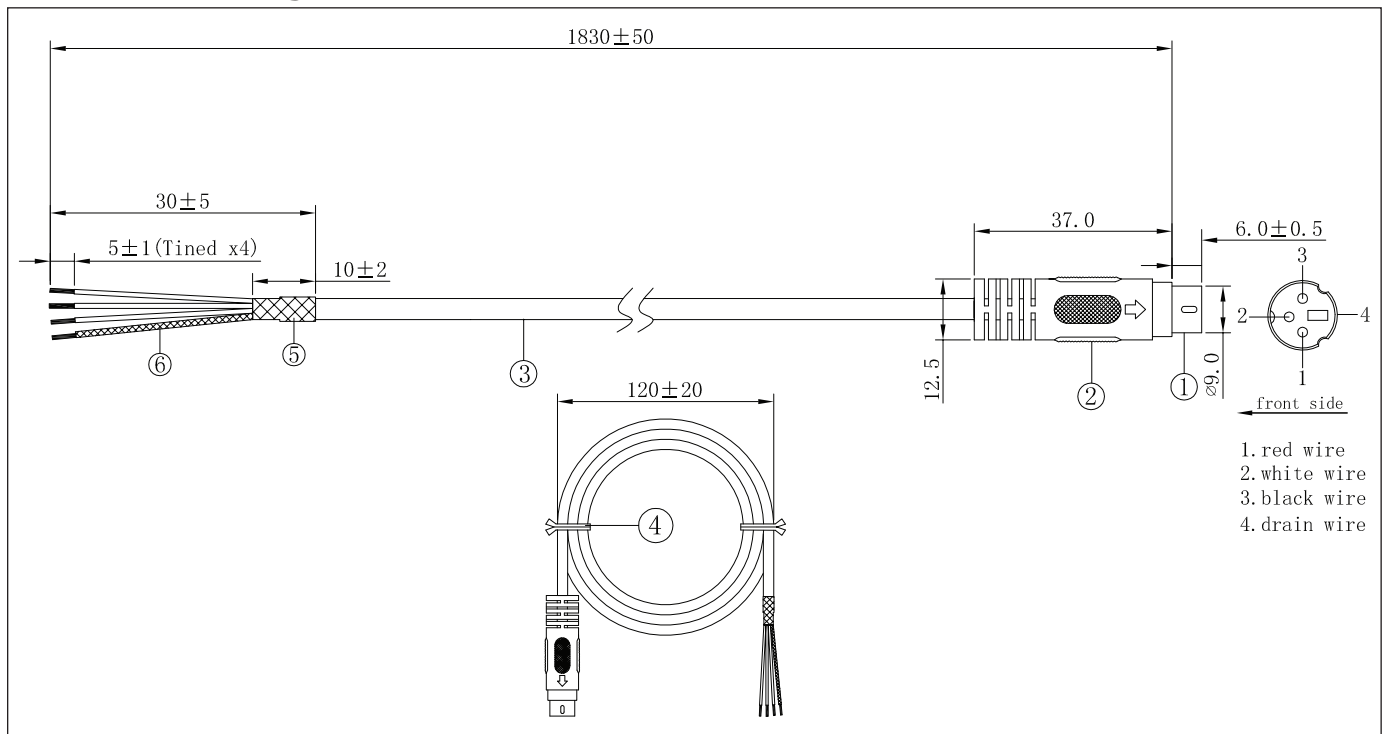
## Specifications:

connector description (1)	3P mini DIN male, molding style, brass, nickel plating, P/N 50-00156
overmold (2)	inner: PE; outer: 60P PVC, black
wire description (3)	3C, 20 AWG, UL2464, 300 V, 80 C, 5.5 mm, shielded, VW-1, PVC, 60P, P/N 30-00023
cable outer diameter	Ø5.5 mm
cable color	black
cable length	1830 ± 50 mm
shrink tube (5)	Ø6.0, 105 °C, 10 ± 2 mm, black
shrink tube (6)	Ø1.0, 105 °C, 30 ± 2 mm, black
twist tie (4)	black, 89 ± 3
rating	2 A, 12 Vdc

## Notes:

Function test: no open, no reversed polarity, no short circuit, no INT  
 RoHS compliant

## Mechanical drawing:



Initial

Date

tolerance X: ±0.5 mm .X: ±0.3 mm .XX: ±0.05 mm  
 applicable unless otherwise indicated in specification or on drawings

## Revision notes:

Rev	Date	Description
A	March 8, 2011	initial release

## Specification Approval

Spec sign-off verifies that you have reviewed the entire specification, tested a sample of the product, and confirm that it meets your requirements. This specification reflects the part as it will be ordered. Orders will not be processed until the specification pages have been initialed and the approval page has been signed. This specification is confidential and is not to be transmitted without prior approval from Tensility.

Signature \_\_\_\_\_

Title \_\_\_\_\_

Name \_\_\_\_\_

Date \_\_\_\_\_