



Summary

UZBee is an EasyBee ZigBee / IEEE 802.15.4 radio with USB interface, housed in a handy adapter enclosure.

- 2.4GHz IEEE 802.15.4 RF module
- PIC18LF4550 USB microcontroller
- FCC / CE compliant
- Signature 'G' antenna, free-space range 120m, compact, low 'hand-effect' design
- Pushbutton
- Status LED
- 56mm x 20mm x 9mm



Firmware Options

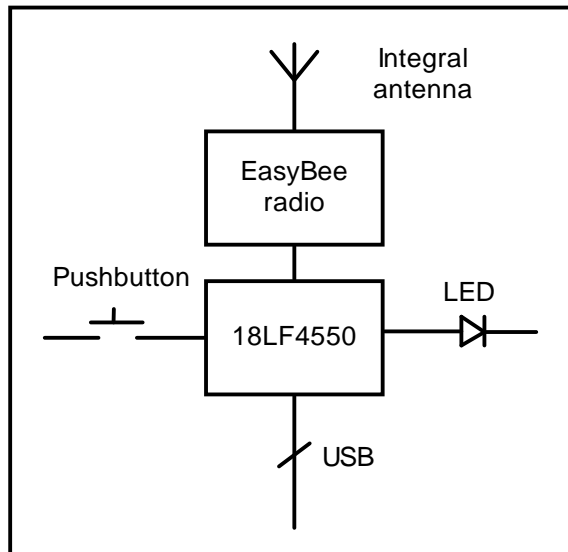
A variety of firmware options are available or are in the process of development:

- MACdongle IEEE 802.15.4 MAC layer
- Zongle ZigBee RFD layer
- StarLite USB

Refer to the firmware data sheets for specific details of operation.

UZBee uses FlexiPanel's USBoot™ technology. This allows the firmware to be changed via the USB port without any specialist programming equipment.

OEMs wishing to customize UZBee can program the onboard PIC18LF4550 microcontroller as required. The Free Microchip Stack for ZigBee is available for use with this product, although the entire full function stack will not fit on-board. Please contact us for further details



Ordering Information

Manufactured to ISO9001:2000



Part No	Description
UZBEE	IEEE 802.15.4 radio with USB interface



Developed by:
 FlexiPanel Ltd
 2 Marshall St, 3rd Floor,
 London W1F 9BB, United Kingdom
 email: support@flexipanel.com
 www.flexipanel.com



Manufactured by:
 R F Solutions Ltd
 Unit 21, Cliffe Industrial Estate,
 Lewes, BN8 6JL, United Kingdom
 email : sales@rfsolutions.co.uk
 http://www.rfsolutions.co.uk
 Tel: +44 (0)1273 898 000