

HXC SERIES
NEW
105°C Higher Ripple, Snap-in Terminal Type
◆ FEATURES

- Load Life : 105°C 2000 hours.
- Higher ripple current endurance than MXC series.
- RoHS compliance.


◆ SPECIFICATIONS

Items	Characteristics		
Category Temperature Range	-25~+105°C		
Rated Voltage Range	200~450V.DC		
Capacitance Tolerance	±20% (20°C, 120Hz)		
Leakage Current(MAX)	$I=3\sqrt{CV}$ (After 5 minutes application of rated voltage) I= Leakage Current (μA) V= Rated Voltage (V) C= Rated Capacitance (μF)		
Dissipation Factor(MAX) (tan δ)	Rated Voltage (V)	200 ~ 400	450
	tan δ	0.15	0.20
Impedance Ratio(MAX)	Rated Voltage (V)	200	400 ~ 450
	Z(-25°C) / Z(20°C)	3	8
Endurance	After applying rated voltage with rated ripple current for 2000hrs at 105°C, the capacitors shall meet the following requirements.		
	Capacitance Change	Within ±20% of the initial value.	
	Dissipation Factor	Not more than 200% of the specified value.	
	Leakage Current	Not more than the specified value.	

◆ MULTIPLIER FOR RIPPLE CURRENT

Frequency coefficient

Frequency (Hz)		60(50)	120	500	1k	10k ≤
Coefficient	200WV	0.80	1.00	1.20	1.30	1.50
	400~450WV	0.80	1.00	1.20	1.25	1.40

◆ PART NUMBER

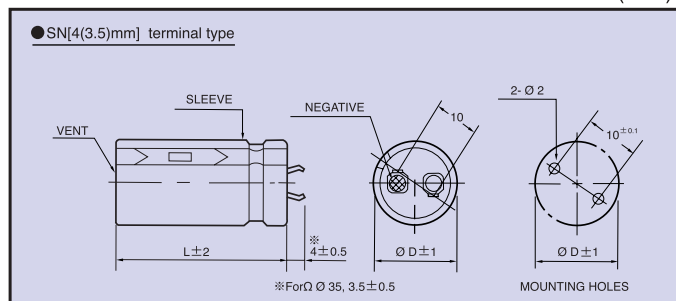
□□□	HXC	□□□□□	□	OOE	SN	DXL
Rated Voltage	Series	Rated Capacitance	Capacitance Tolerance	Option	Terminal Code	Case Size

◆ Option

	Code
without plate	OOE
with plate	Blank

◆ DIMENSIONS

(mm)



◆ STANDARD SIZE, RATED RIPPLE CURRENT

Cap(μF)	WV	ø D	200							
			ø 22		ø 25		ø 30		ø 35	
270			22×25	1.64						
330			22×30	1.89						
390			22×35	2.14	25×25	1.99				
470			22×40	2.41	25×30	2.32	30×25	2.27		
560			22×45	2.71	25×35	2.63	30×25	2.43		
680			22×50	3.06	25×35	2.81	30×30	2.82		
820					25×45	3.32	30×30	2.94	35×25	2.56
1000					25×50	3.72	30×35	3.36	35×30	3.07
1200							30×40	3.78	35×35	3.57
1500							30×50	4.48	35×40	4.01
1800									35×45	4.44
2200									35×50	4.90

Cap(μF)	WV	ø D	400							
			ø 22		ø 25		ø 30		ø 35	
82			22×30	0.81						
100			22×35	0.99	25×25	0.99				
120			22×40	1.19	25×30	1.19				
150			22×45	1.43	25×35	1.43	30×25	1.41		
180			22×50	1.60	25×40	1.61	30×30	1.61		
220					25×45	1.83	30×35	1.84		
270					25×50	2.06	30×40	2.10	35×30	2.00
330							30×45	2.36	35×35	2.29
390							30×50	2.62	35×40	2.56
470									35×45	2.86
560									35×50	3.15

Cap(μF)	WV	ø D	450							
			ø 22		ø 25		ø 30		ø 35	
68			22×30	0.67						
82			22×35	0.81	25×25	0.81				
100			22×40	0.99	25×30	0.99				
120			22×45	1.19	25×35	1.19	30×25	1.19		
150					25×40	1.49	30×30	1.49	35×25	1.49
180					25×45	1.68	30×35	1.70	35×25	1.61
220					25×50	1.89	30×40	1.92	35×30	1.85
270							30×45	2.18	35×35	2.12
330							30×50	2.45	35×40	2.41
390									35×45	2.67
470									35×50	2.97

↑ Ripple Current (A r.m.s./120Hz, 105°C)
 ↑ Case Size ø D×L(mm)