

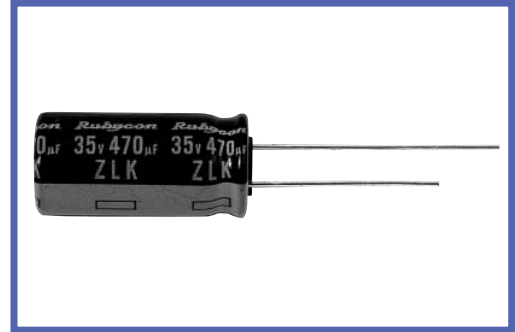
ZLK SERIES

NEW

105°C Ultra High Ripple, Low Impedance.

◆FEATURES

- Load Life: 105°C4000~5000hours.
- RoHS compliance.



◆SPECIFICATIONS

Items	Characteristics															
Category Temperature Range	-40~ +105°C															
Rated Voltage Range	10~35V.DC															
Capacitance Tolerance	±20% (20°C, 120Hz)															
Leakage Current(MAX)	I=0.01CV (After 2 minutes) I=Leakage Current(µA) C=Rated Capacitance(µF) V=Rated Voltage(V)															
(tanδ) Dissipation Factor(MAX)	<table border="1"> <thead> <tr> <th>Rated Voltage (V)</th> <th>10</th> <th>16</th> <th>25</th> <th>35</th> </tr> </thead> <tbody> <tr> <td>tan δ</td> <td>0.19</td> <td>0.16</td> <td>0.14</td> <td>0.12</td> </tr> </tbody> </table> (20°C, 120Hz)	Rated Voltage (V)	10	16	25	35	tan δ	0.19	0.16	0.14	0.12					
Rated Voltage (V)	10	16	25	35												
tan δ	0.19	0.16	0.14	0.12												
Endurance	After life test with rated ripple current at conditions stated in the table below, the capacitors shall meet the following requirement. <table border="1"> <thead> <tr> <th>Capacitance Change</th> <th>Within ±25% of the initial value.</th> <th>Case Size</th> <th>Life Time (hrs)</th> </tr> </thead> <tbody> <tr> <td>Dissipation Factor</td> <td>Not more than 200% of the specified value.</td> <td>8×16, 8×20 10×12.5</td> <td>4000</td> </tr> <tr> <td>Leakage Current</td> <td>Not more than the specified value.</td> <td>10×16, 10×20 10×25</td> <td>5000</td> </tr> </tbody> </table>	Capacitance Change	Within ±25% of the initial value.	Case Size	Life Time (hrs)	Dissipation Factor	Not more than 200% of the specified value.	8×16, 8×20 10×12.5	4000	Leakage Current	Not more than the specified value.	10×16, 10×20 10×25	5000			
Capacitance Change	Within ±25% of the initial value.	Case Size	Life Time (hrs)													
Dissipation Factor	Not more than 200% of the specified value.	8×16, 8×20 10×12.5	4000													
Leakage Current	Not more than the specified value.	10×16, 10×20 10×25	5000													
Low Temperature Stability Impedance Ratio(MAX)	<table border="1"> <thead> <tr> <th>Rated Voltage(V)</th> <th>10</th> <th>16</th> <th>25</th> <th>35</th> </tr> </thead> <tbody> <tr> <td>Z(-25°C)/Z(20°C)</td> <td>2</td> <td>2</td> <td>2</td> <td>2</td> </tr> <tr> <td>Z(-40°C)/Z(20°C)</td> <td>3</td> <td>3</td> <td>3</td> <td>3</td> </tr> </tbody> </table> (120Hz)	Rated Voltage(V)	10	16	25	35	Z(-25°C)/Z(20°C)	2	2	2	2	Z(-40°C)/Z(20°C)	3	3	3	3
Rated Voltage(V)	10	16	25	35												
Z(-25°C)/Z(20°C)	2	2	2	2												
Z(-40°C)/Z(20°C)	3	3	3	3												

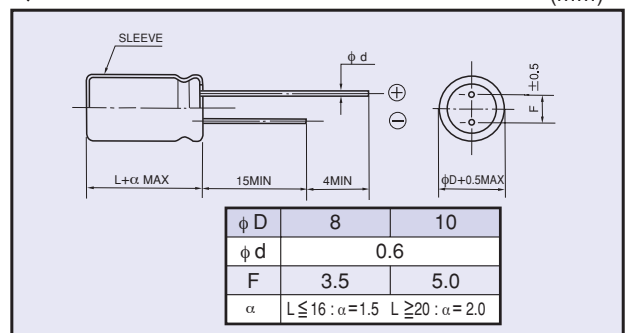
◆MULTIPLIER FOR RIPPLE CURRENT

Frequency coefficient

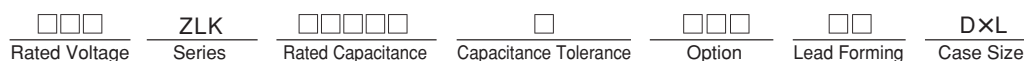
Frequency (Hz)	120	1k	10k	≥ 100k
Coefficient	0.30	0.70	0.90	1.00

◆DIMENSIONS

(mm)



◆PART NUMBER



◆ STANDARD SIZE

Rated Voltage (V·DC)	Rated capacitance (μF)	Size φ D×L(mm)	Rated ripple current (mA r.m.s./105°C, 100kHz)	Impedance (ΩMAX)	
				20°C, 100kHz	-10°C, 100kHz
10 (1A)	680	8×16	2050	0.059	0.18
	680	10×12.5	2190	0.053	0.16
	1000	8×20	2380	0.041	0.13
	1000	10×16	2550	0.038	0.12
	1500	10×20	2880	0.028	0.084
	1800	10×25	3160	0.024	0.072
16 (1C)	470	8×16	2050	0.059	0.18
	560	10×12.5	2190	0.053	0.16
	680	8×20	2380	0.041	0.13
	820	10×16	2550	0.038	0.12
	1200	10×20	2880	0.028	0.084
	1500	10×25	3160	0.024	0.072
25 (1E)	330	8×16	2050	0.059	0.18
	390	10×12.5	2190	0.053	0.16
	470	8×20	2380	0.041	0.13
	560	10×16	2550	0.038	0.12
	820	10×20	2880	0.028	0.084
	1000	10×25	3160	0.024	0.072
35 (1V)	220	8×16	2050	0.059	0.18
	220	10×12.5	2190	0.053	0.16
	270	8×20	2380	0.041	0.13
	330	10×16	2550	0.038	0.12
	470	10×20	2880	0.028	0.084
	560	10×25	3160	0.024	0.072