

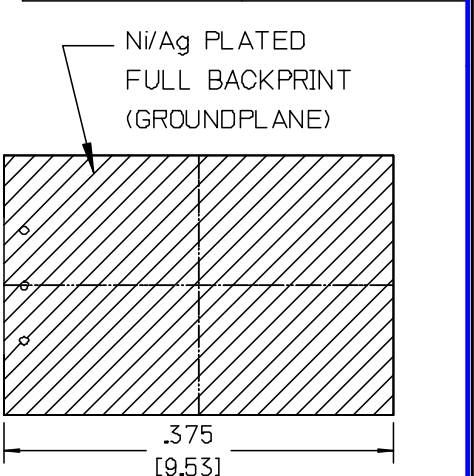
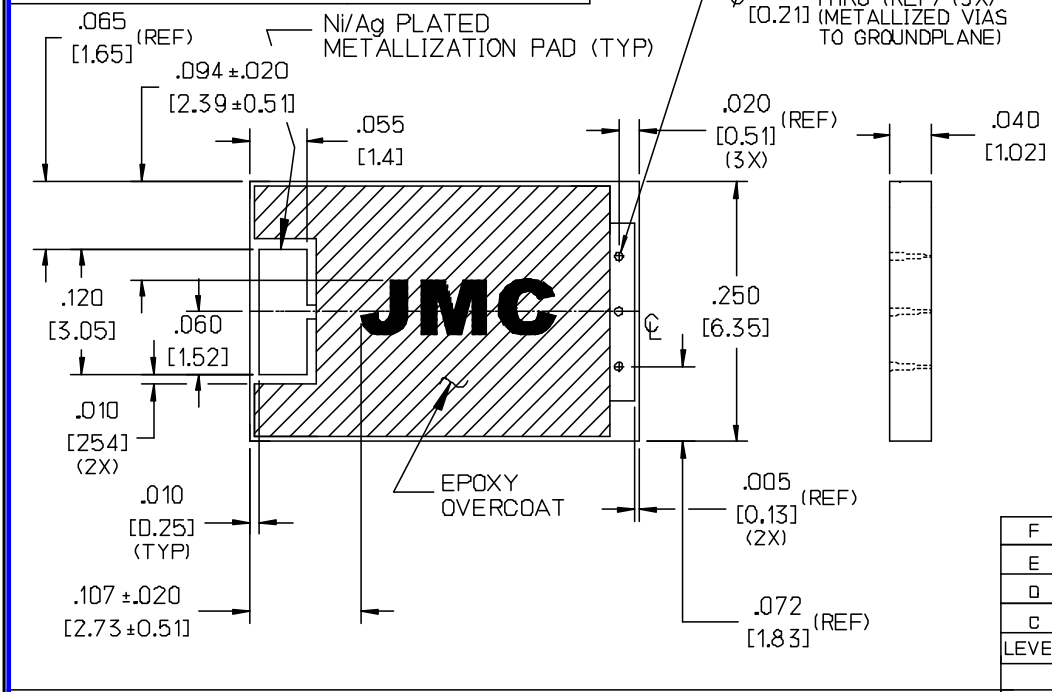
NOTES:

1. RoHS COMPLIANT
2. PROTECTIVE COAT.
3. Ni/Ag PLATED (PER QQ-N-290).
4. THICK FILM RESISTIVE ELEMENT

MI DRG. NO. CT3725AB5C-03F REV. **F**

**CHIP TERMINATION, HIGH POWER ALN**

SPECIFICATIONS		FILE TERMOUT
POWER MAX (WATTS)	150 CW	
RESISTANCE	50 OHMS (±5%)	
FREQUENCY	VSWR	
DC-2000 MHz	1.1:1	
2000-3500 MHz	1.25:1	
DIMENSIONS IN BRACKETS IN [mm]		



LEVEL	DATE	DRN.	CHK.	APP.	ECN
F	08/10/09	SDJ	SDJ	MAI	000792
E	06/11/09	SDJ	SDJ	MAI	000775
D	05/18/09	SDJ	SDJ	MAI	000763
C	01/12/09	MLD	MAI	MAI	000746

REVISIONS				
DRN.	CHK.	APP.	SCALE	
SDJ	SDJ	MAI	7" - 1"	
DATE	DATE	DATE	.XX±.015 [38]	XXX±.005 [127]
5/29/08	5/29/08	5/29/08		

**JOHANSON MANUFACTURING CORPORATION**  
 ROCKAWAY VALLEY ROAD, BORDENTON, N.J. 07005 (973)334-2676 FAX (973)334-2954  
 ELECTRONIC ACCURACY THROUGH MECHANICAL PRECISION

PROPRIETARY INFORMATION CONTAINED NOT TO BE USED WITHOUT JOHANSON MANUFACTURING CORPORATION APPROVAL