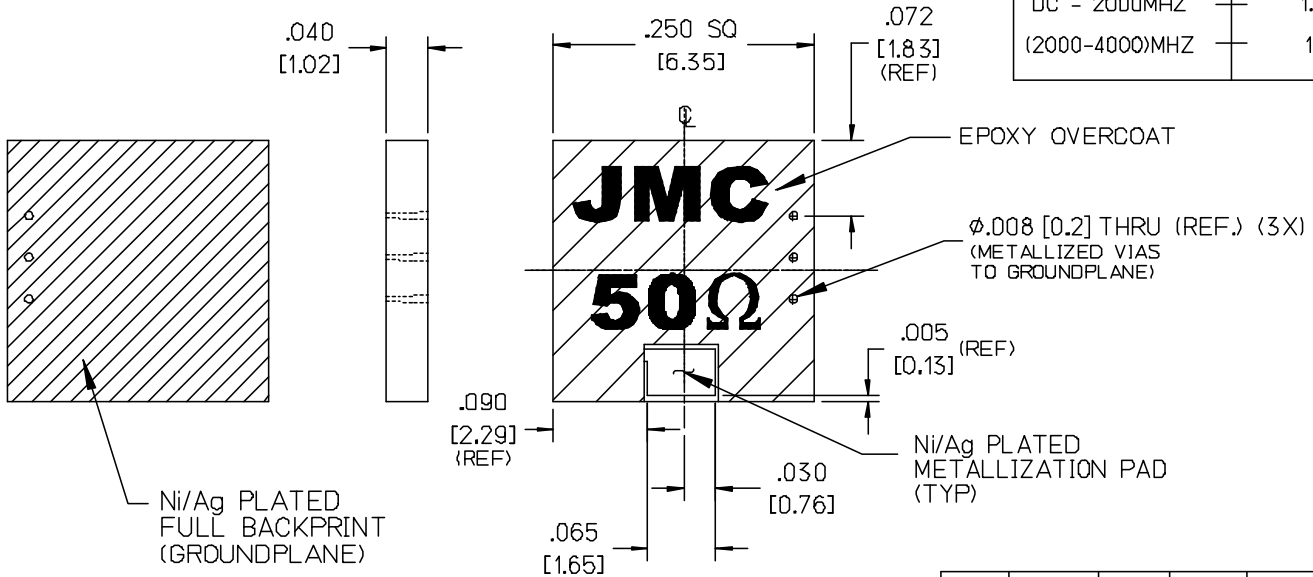


MI DRG. NO. CT2525AB5C-02C REV
CT2525AB5C-02 C

CHIP TERMINATION, HIGH POWER ALN

SPECIFICATIONS		FILE	TERMOUT
POWER MAX (WATTS)	100 CW		
RESISTANCE	50 OHMS (±5%)		
FREQUENCY	VSWR		
DC - 2000MHZ	1.06:1		
(2000-4000)MHZ	1.1:1		



C	07/28/09	BFH	SDJ	SDJ	000768
B	12/04/08	SDJ	SDJ	MAI	000740
A	11/10/08	MAI	-	-	000730
LEVEL	DATE	DRN.	CHK.	APP.	ECN

REVISIONS

DRN.	CHK.	APP.	SCALE
MAI	MAI	MAI	7" - 1"
DATE	DATE	DATE	.XX±.015 [381]
11/10/08	11/10/08	11/10/08	.XX±.010 [254]



JOHANSON MANUFACTURING CORPORATION
 ROCKAWAY VALLEY ROAD, BODONTON, N.J. 07005 (973)354-2676 FAX (973)354-2954
 ELECTRONIC ACCURACY THROUGH MECHANICAL PRECISION

PROPRIETARY INFORMATION CONTAINED NOT TO BE USED WITHOUT JOHANSON MANUFACTURING CORPORATION APPROVAL