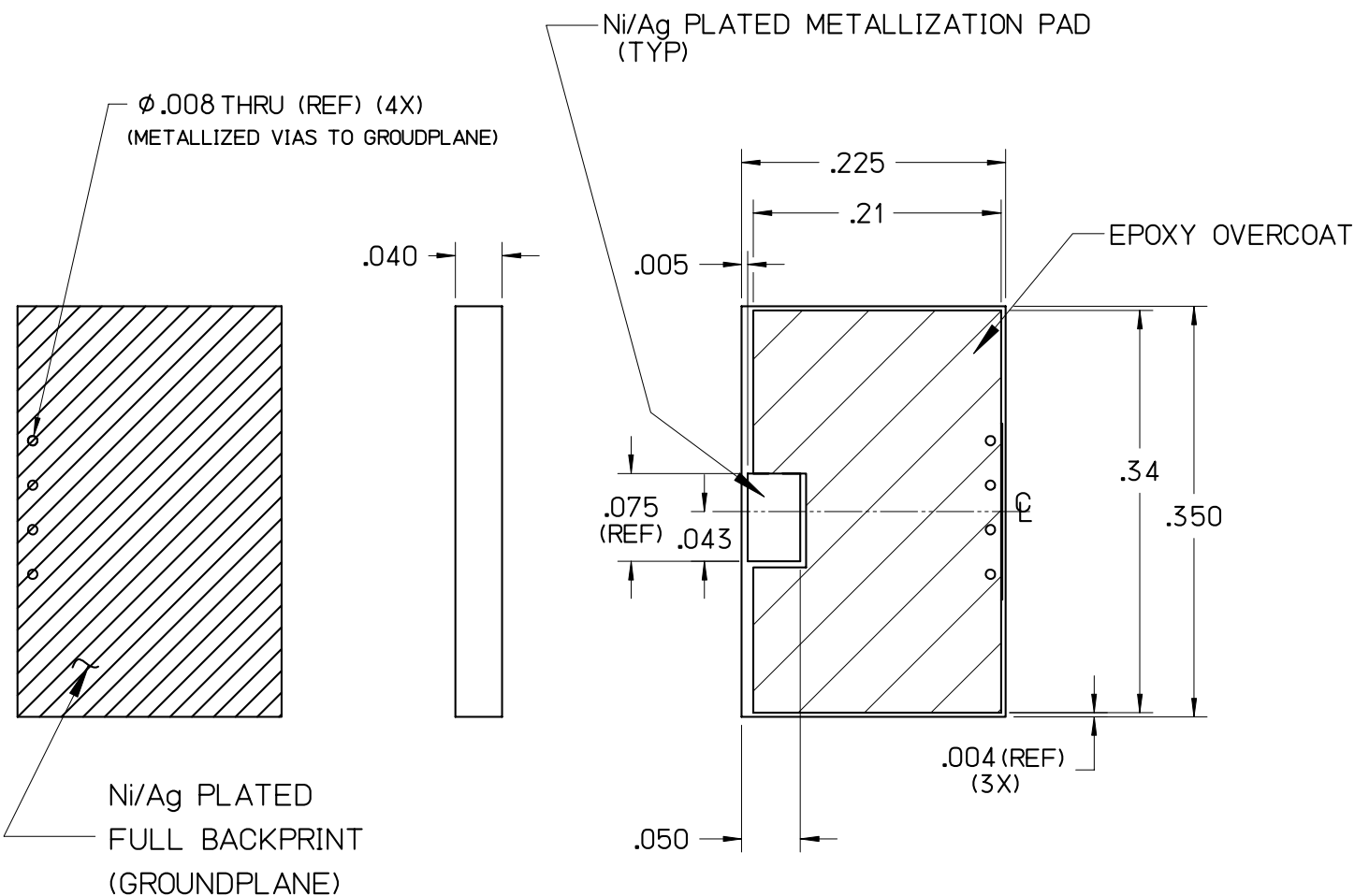


Power: 100 Watts (CW)
Resistance: 50 Ω ± 5%
Substrate: AlN



For detailed information regarding this product or sample request contact Johanson Sales