

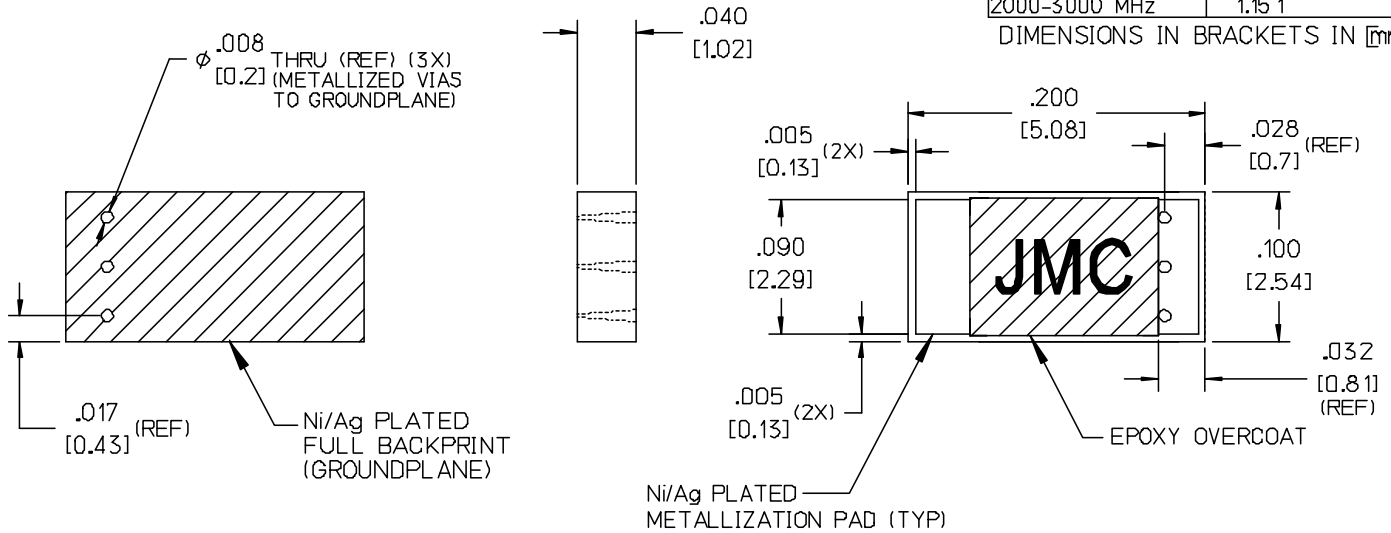
MI DRG. NO. CT2010AB5CF REV.

CT2010AB5C F

CHIP TERMINATION, HIGH POWER ALN

SPECIFICATIONS	FILE TERMOUT
POWER MAX (WATTS):	10 CW
RESISTANCE	50 OHMS (±5%)
FREQUENCY	VSWR
DC-2000 MHz	1.06 1
2000-3000 MHz	1.15 1

DIMENSIONS IN BRACKETS IN [mm]



F	10/28/09	SDJ	SDJ	MAI	000798
E	05/26/09	SDJ	SDJ	MAI	000771
D	05/13/09	SDJ	SDJ	MAI	000765
C	01/12/09	MLD	MAI	MAI	000746
B	5/29/08	SDJ	SDJ	MAI	000667
LEVEL	DATE	DRN.	CHK.	APP.	ECN

REVISIONS

DRN.	CHK.	APP.	SCALE
MAI	MAI	MAI	10" = 1"
DATE	DATE	DATE	.XX±.015 [381]
01/28/08	01/28/08	01/28/08	.XXX±.005 [127]



JOHANSON MANUFACTURING CORPORATION
 ROCKAWAY VALLEY ROAD, BOONTON, N.J. 07005 (973)554-2676 FAX (973)554-2954
 ELECTRONIC ACCURACY THROUGH MECHANICAL PRECISION

PROPRIETARY INFORMATION CONTAINED NOT TO BE USED WITHOUT JOHANSON MANUFACTURING CORPORATION APPROVAL