

Surface Mount Trimming Potentiometers
ST-32 Series, Specifications & Prices



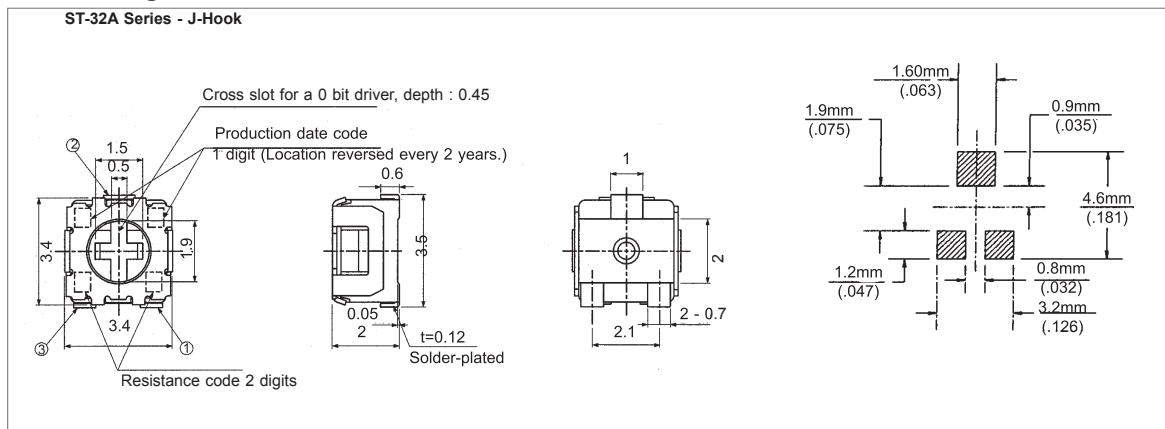
Part Number Determination

ST-32TA103			
ST-32	T	A	103
SERIES	PACKAGING	PIN STYLE & ADJUSTMENT	RESISTANCE
ST-32=3mm Sq, Cermet, Single Turn Trimming Potentiometer	T=500 / Reel	A=J=Hook, Top Adjust B=Gull-Wing, Top Adjust G=J=Hook, Side Adjust H=Gull-Wing, Side Adjust	2 Significant digits + 1 multiplier 103=10K ohm

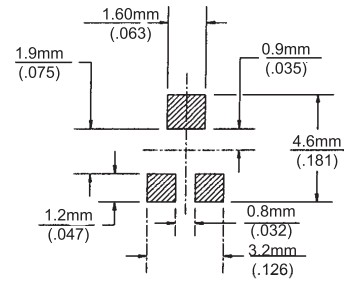
Electrical Characteristics

Resistance Range: 50Ω - 1MΩ
Tolerance: ±20%
Power Dissipation: .125W@70°C
Mech angle of rotation: 250°
Temp Coef: 100Ω - 2MΩ, ±100ppm/°C,
 10Ω - 50Ω, ±250ppm/°C

Package Dimensions



Land Pattern (mm/in)



Standard Resistance Values			
Ω	Code	Ω	Code
50	500	10K	103
100	101	20K	203
200	201	50K	503
500	501	100K	104
1K	102	200K	204
2K	202	500K	504
5K	502	1M	105