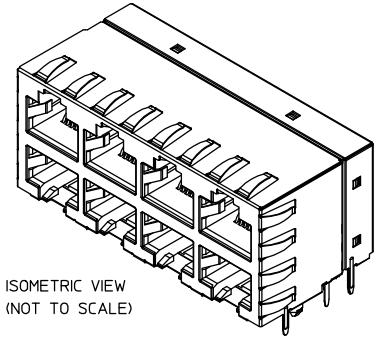
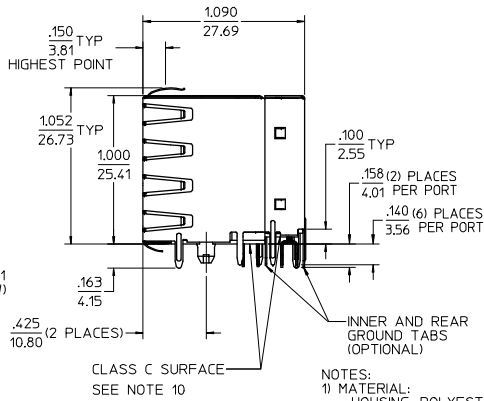
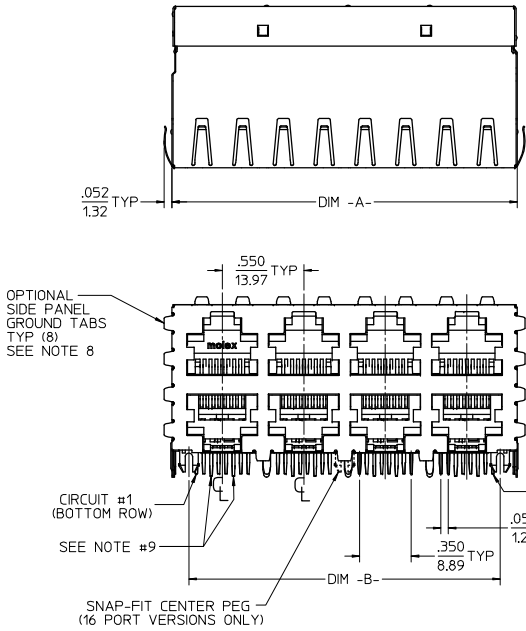


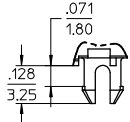
13 12 11 10 9 8 7 6 5 4 3 2 1



ISOMETRIC VIEW (NOT TO SCALE)



PRESS-FIT PEG STYLE (NOTE 5)



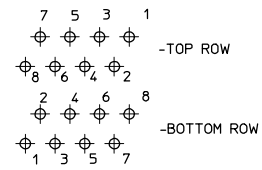
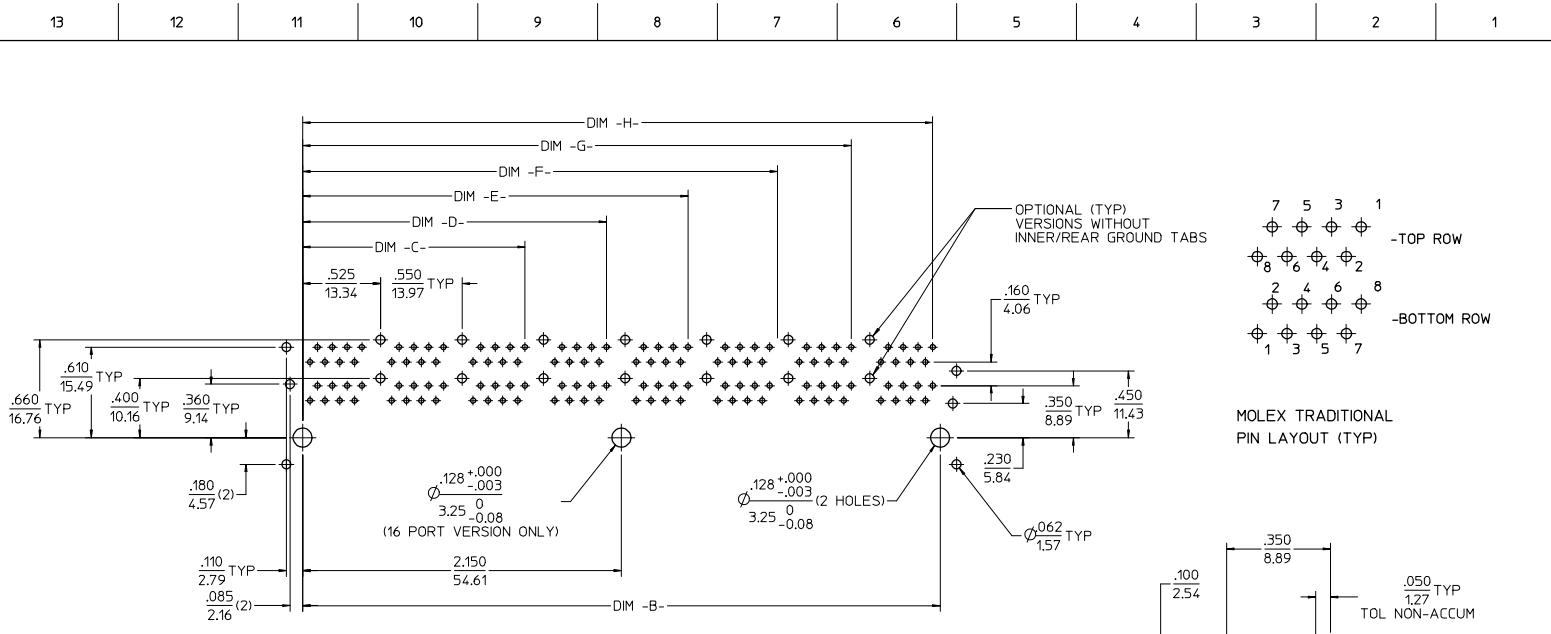
SNAP-FIT PEG STYLE (NOTE 5)

- NOTES:
- MATERIAL: HOUSING: POLYESTER(PBT), GLASS FILLED, UL94V-0, COLOR: BLACK TERMINALS: PHOSPHOR BRONZE SHIELD: BRASS
  - FINISH: TERMINALS: SELECT GOLD IN CONTACT AREA: 50 MICROINCHES MIN. \*SELECT TIN IN PC TAIL AREA: 100 MICROINCHES MIN. WITH OVERALL NICKEL UNDERPLATE: 50 MICROINCHES MIN. SHIELD: \*100 MICROINCHES NICKEL OVER 50 MICROINCHES COPPER UNDERPLATE PCB GROUND TABS DIPPED IN TIN \*THE PRIMARY SHIPPING CARTON WILL BE LABELED "COMPLIANT TO RoHS DIRECTIVE 2002/95/EC AND ELV ANNEX II OF DIRECTIVE 2000/53/EC". CARTONS WITHOUT THIS LABEL MAY CONTAIN PRODUCT WITH TIN-LEAD IN THE PC TAILS AND/OR SHIELD.
  - PRODUCT SPECIFICATION AND PROCESSING PARAMETERS: PS-44050-003.
  - PACKAGING SPECIFICATION: CONNECTOR PACKAGED IN THERMOFORMED TRAYS.
  - CONNECTORS AVAILABLE WITH EITHER SNAP-FIT OR PRESS-FIT PEGS.
  - CONFORMS TO FCC REGULATION PART 68.5 FOR MODULAR JACKS.
  - PCB LAYOUT AND PANEL CUT-OUT SHOWN ON SHEET (2) OF (2).
  - AVAILABLE WITH THE (8) PANEL GROUND TABS REMOVED ON EACH SIDE FOR SIDE TO SIDE STACKABILITY.
  - TERMINAL LENGTHS MAY BE DIFFERENT FROM TERMINAL TO TERMINAL.
  - THIS PART CONFORMS TO CLASS B REQUIREMENTS OF COSMETIC SPECIFICATION PS-45499-002 WITH THE EXCEPTION OF THE INDICATED SURFACE WHICH IS A CLASS C SURFACE.

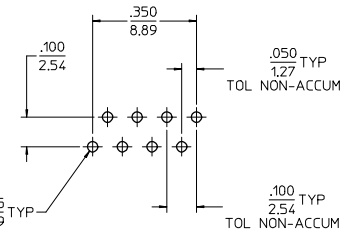
ASSEMBLY MATERIAL NUMBER	NUMBER OF PORTS	PEG STYLE	DIM -A-	DIM -B-	SIDE PANEL GROUND TABS	INNER/REAR GROUND TABS
44520-0001	8 (2 X 4)	SNAP-FIT	2.330/59.18	2.100/53.34	YES	YES
44520-2001	8 (2 X 4)	SNAP-FIT	2.330/59.18	2.100/53.34	NO	YES
44520-3001	8 (2 X 4)	SNAP-FIT	2.330/59.18	2.100/53.34	YES	NO
44520-4001	8 (2 X 4)	SNAP-FIT	2.330/59.18	2.100/53.34	NO	NO
44520-0004	8 (2 X 4)	PRESS-FIT	2.330/59.18	2.100/53.34	YES	YES
44520-2004	8 (2 X 4)	PRESS-FIT	2.330/59.18	2.100/53.34	NO	YES
44520-3004	8 (2 X 4)	PRESS-FIT	2.330/59.18	2.100/53.34	YES	NO
44520-4004	8 (2 X 4)	PRESS-FIT	2.330/59.18	2.100/53.34	NO	NO
44520-0002	12 (2 X 6)	SNAP-FIT	3.430/87.12	3.200/81.28	YES	YES
44520-2002	12 (2 X 6)	SNAP-FIT	3.430/87.12	3.200/81.28	NO	YES
44520-3002	12 (2 X 6)	SNAP-FIT	3.430/87.12	3.200/81.28	YES	NO
44520-4002	12 (2 X 6)	SNAP-FIT	3.430/87.12	3.200/81.28	NO	NO
44520-0005	12 (2 X 6)	PRESS-FIT	3.430/87.12	3.200/81.28	YES	YES
44520-2005	12 (2 X 6)	PRESS-FIT	3.430/87.12	3.200/81.28	NO	YES
44520-3005	12 (2 X 6)	PRESS-FIT	3.430/87.12	3.200/81.28	YES	NO
44520-4005	12 (2 X 6)	PRESS-FIT	3.430/87.12	3.200/81.28	NO	NO
44520-0003	16 (2 X 8)	SNAP-FIT	4.530/115.06	4.300/109.22	YES	YES
44520-2003	16 (2 X 8)	SNAP-FIT	4.530/115.06	4.300/109.22	NO	YES
44520-3003	16 (2 X 8)	SNAP-FIT	4.530/115.06	4.300/109.22	YES	NO
44520-4003	16 (2 X 8)	SNAP-FIT	4.530/115.06	4.300/109.22	NO	NO
44520-0006	16 (2 X 8)	PRESS-FIT	4.530/115.06	4.300/109.22	YES	YES
44520-2006	16 (2 X 8)	PRESS-FIT	4.530/115.06	4.300/109.22	NO	YES
44520-3006	16 (2 X 8)	PRESS-FIT	4.530/115.06	4.300/109.22	YES	NO
44520-4006	16 (2 X 8)	PRESS-FIT	4.530/115.06	4.300/109.22	NO	NO

<b>ADDED NOTE 10</b> EC NO. UCP2009-0280 DRAWN: KLOSTER 2008/08/01 CHKD: JHELL 2008/08/04 APPR: PSMITH 2009/08/04 REV:	QUALITY SYMBOLS ▽=0 ▽=0	GENERAL TOLERANCES (UNLESS SPECIFIED)		DIMENSION STYLE IN/MM		SCALE 2:1	DESIGN UNITS INCH	THIRD ANGLE PROJECTION		
		4 PLACES ±--- ±--- 3 PLACES ±--- ±.010 2 PLACES ±0.25 ±--- 1 PLACE ±--- ±---	mm INCH	DRAWN BY MARGULIS CHECKED BY ROBERTS APPROVED BY ROBERTS	DATE 99/04/16 DATE 99/04/18 DATE 99/04/18	TITLE STACKED MODULAR JACK CATEGORY 5				
		ANGULAR ±1/2°		DRAFT WHERE APPLICABLE MUST REMAIN WITHIN DIMENSIONS		SEE CHART		MATERIAL NO. SD-44520-001		SHEET NO. 1 OF 2
		THIS DRAWING CONTAINS INFORMATION THAT IS PROPRIETARY TO MOLEX INCORPORATED AND SHOULD NOT BE USED WITHOUT WRITTEN PERMISSION								

12 11 10 9 8 7 6 5 4 3 2 1

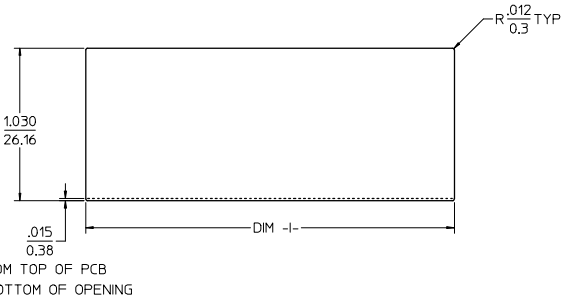


MOLEX TRADITIONAL PIN LAYOUT (TYP)



TYP HOLE LAYOUT (EACH PORT)

PC BOARD LAYOUT: COMPONENT SIDE  
RECOMMENDED PCB THICKNESS: .062/1.57  
(16 PORT VERSION SHOWN)



RECOMMENDED PANEL CUTOUT

NUMBER OF PORTS	DIM -B-	DIM -C-	DIM -D-	DIM -E-	DIM -F-	DIM -G-	DIM -H-	DIM -I-	DIMENSION STYLE		SCALE	DESIGN UNITS	THIRD ANGLE PROJECTION
									IN/MM	INCH			
8 (2 X 4)	2.100/53.34	1.500/38.10	2.050/52.07					2.360/59.94	mm	INCH	2:1	INCH	☉
12 (2 X 6)	3.200/81.28	1.500/38.10	2.050/52.07	2.600/66.04	3.150/80.01			3.460/87.88	mm	INCH	2:1	INCH	☉
16 (2 X 8)	4.300/109.22	1.500/38.10	2.050/52.07	2.600/66.04	3.150/80.01	3.700/93.98	4.250/107.95	4.560/115.82	mm	INCH	2:1	INCH	☉

EC NO. UCP2009-0280	QUALITY SYMBOLS	GENERAL TOLERANCES (UNLESS SPECIFIED)	DIMENSION STYLE	SCALE	DESIGN UNITS	THIRD ANGLE PROJECTION
DRWN: JACOSTEYER 2008/08/01	▽=0	4 PLACES ±--- ±---	IN/MM	2:1	INCH	☉
CHKD: BELL 2008/08/04	▽=0	3 PLACES ±--- ±.010				
APPR: PSMITH 2008/08/04		2 PLACES ±0.25 ±---				
		1 PLACE ±--- ±---				
		ANGULAR ±1/2°				
		DRAFT WHERE APPLICABLE MUST REMAIN WITHIN DIMENSIONS				
		SEE CHART				

DRAWN BY MARGULIS 99/04/16	DATE 99/04/16	TITLE STACKED MODULAR JACK CATEGORY 5
CHECKED BY ROBERTS 99/04/18	DATE 99/04/18	
APPROVED BY ROBERTS 99/04/18	DATE 99/04/18	
MATERIAL NO. SD-44520-001	DOCUMENT NO. SD-44520-001	SHEET NO. 2 OF 2
THIS DRAWING CONTAINS INFORMATION THAT IS PROPRIETARY TO MOLEX INCORPORATED AND SHOULD NOT BE USED WITHOUT WRITTEN PERMISSION		