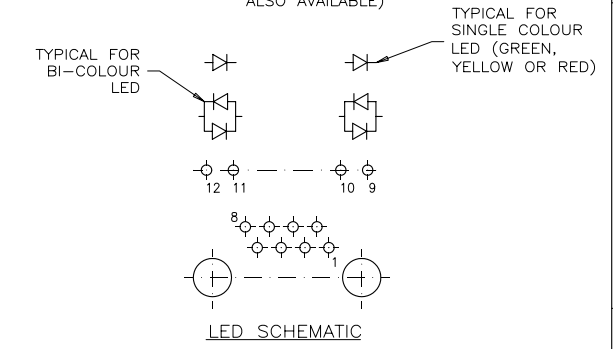
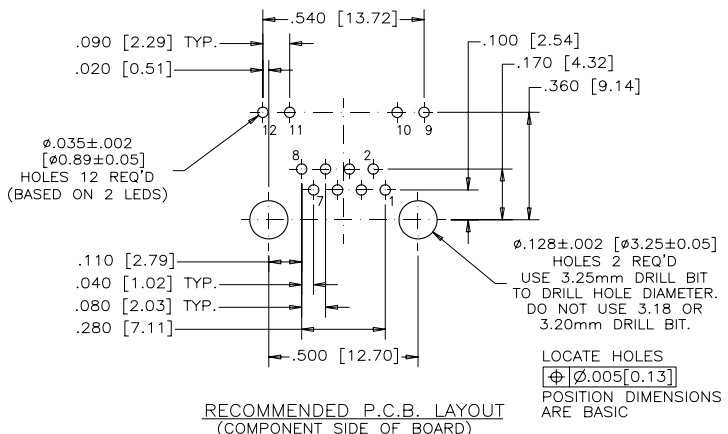
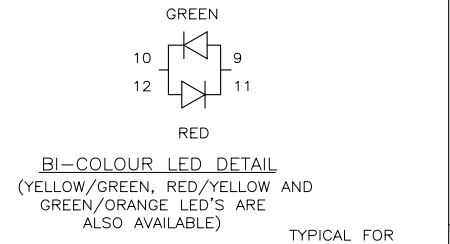
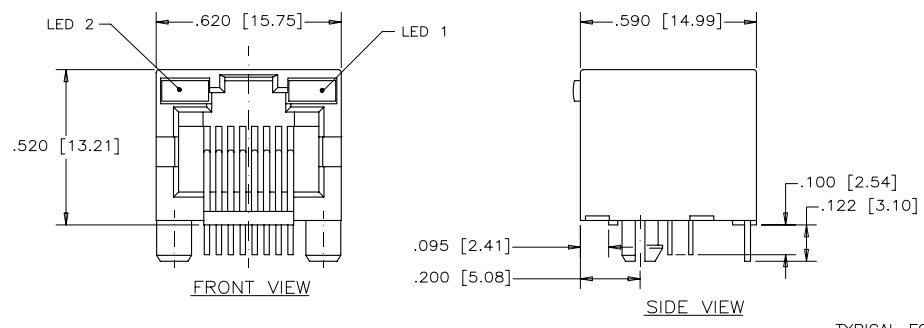
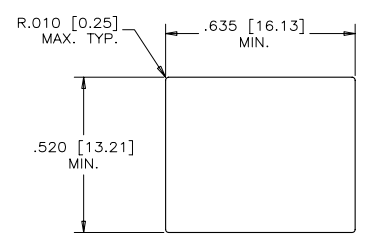


REVISIONS				
SYM	ZONE	ECN, ERN NO.	DATE	APPRD.
D		PER ECN E08063	APR 8/08	L.CHAN



**MATERIALS:**  
HOUSING: ENGINEERING THERMOPLASTIC  
FLAMMABILITY RATING UL 94V-0  
COLOR: BLACK

CONTACTS: PHOSPHOR BRONZE  
PLATING: 50 µ" [1.27 MICRONS]  
MIN. GOLD ON MATING SURFACES.  
50 µ" [1.27 MICRONS]  
MIN. NICKEL UNDERPLATE  
100 µ" [2.54 MICRONS]  
MIN. TIN/LEAD ON CONTACT TAILS.



PART NUMBER: RJHS-508X  
REFER TO LED OPTIONS DRAWING FOR ORDERING CODES

THIS DOCUMENT CONTAINS PROPRIETARY INFORMATION AND SUCH INFORMATION MAY NOT BE DISCLOSED TO OTHERS FOR ANY PURPOSE OR USED FOR MANUFACTURING PURPOSES WITHOUT WRITTEN PERMISSION FROM AMPHENOL CANADA CORP.

DRAWN A.KARIR	DATE 99/12/06	Amphenol Canada Corp.
CHECKED R.PIKE	99/12/06	
I. E. APPRD.		
Q. A. APPRD.		
DWG. APPRD.		TITLE SINGLE-PORT HIGH SPEED RJ45 MODULAR JACK, WITH LEDS, 8 POS. 8 CONTACTS, NO SHIELD
ENG. REL. NO. E08063	DWG. DRAWING NO.	P-RJHS-508X
REF.	DIMENSIONS ARE IN INCHES [mm]	CODE ID. NO. 03554
SCALE:	WT. -----	SURF. -----
		SHEET 1 OF 1