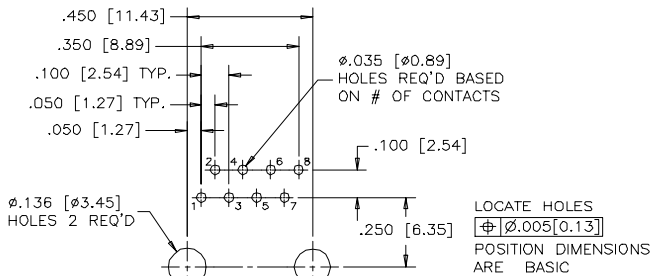
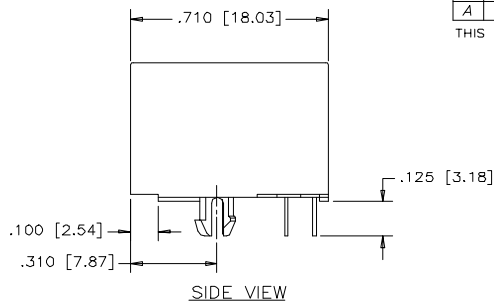
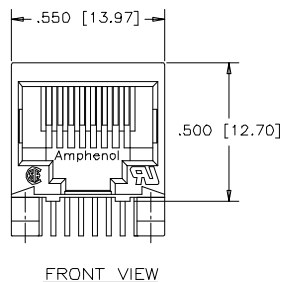


| REVISIONS | | | |
|-----------|------|--------------|----------|
| SYM | ZONE | ECN, ERN NO. | DATE |
| A | | PROPOSAL | 00/03/24 |

THIS IS A CAD DRAWING. DO NOT MANUALLY REVISE.

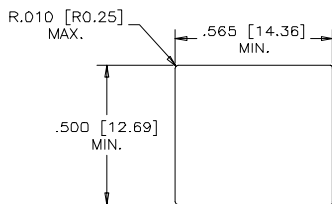


MATERIALS:
 PLASTIC HOUSING: ENGINEERING THERMOPLASTIC
 FLAMMABILITY RATING UL 94V-0

CONTACTS: PHOSPHOR BRONZE
 PLATING: 50 μ" [1.27 MICRONS]
 MIN. GOLD ON MATING SURFACES.
 50 μ" [1.27 MICRONS]
 MIN. NICKEL UNDERPLATE
 100 μ" [2.54 MICRONS]
 MIN. TIN/LEAD ON CONTACT TAILS.

PART NUMBER: FRJA-44X

CONTACTS:
 2 = 2 CONTACTS LOADED IN POSITION 4 & 5.
 4 = 4 CONTACTS LOADED IN POSITION 3 TO 7.
 6 = 6 CONTACTS LOADED IN POSITION 2 TO 7.
 8 = 8 CONTACTS LOADED IN POSITION 1 TO 8.
 C = 2 CONTACTS LOADED IN POSITION 3 & 6.



| | | | | | |
|-----------------|---------------|---------------------------------------------------------------------|--------------------|-------------|--------------|
| DRAWN L. CHAN | DATE 00/03/24 | Amphenol Canada Corp. | | | |
| DESIGNED | | | | | |
| CHECKED R. PIKE | 00/03/24 | TITLE MODULAR JACK, 8 POSITIONS, WITH FERRITE, WITHOUT SHIELD | | | |
| I. E. APPRD. | | | | | |
| G. A. APPRD. | | DWG DRAWING NO. P-FRJA-44X | | | |
| DWG. APPRD. | | | | | |
| ENG. REL. NO. | | SCALE | WT. ----- | SURF. ----- | SHEET 1 of 1 |
| REF. | | DIMENSIONS ARE IN INCHES [mm] | CODE ID. NO. 03554 | | REV. A |

THIS DOCUMENT CONTAINS PROPRIETARY INFORMATION AND SUCH INFORMATION MAY NOT BE DISCLOSED TO OTHERS FOR ANY PURPOSE OR USED FOR MANUFACTURING PURPOSES WITHOUT WRITTEN PERMISSION FROM AMPHENOL CANADA CORP.