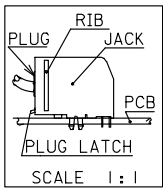


10 9 8 7 6 5 4 3 2 1

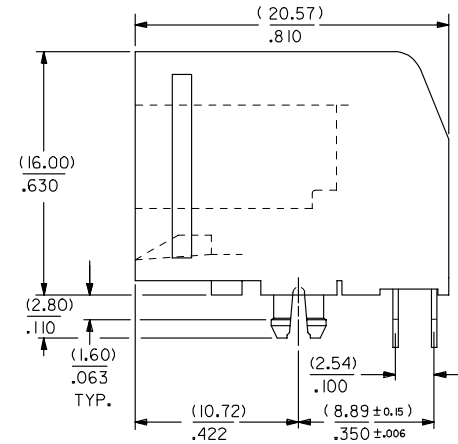
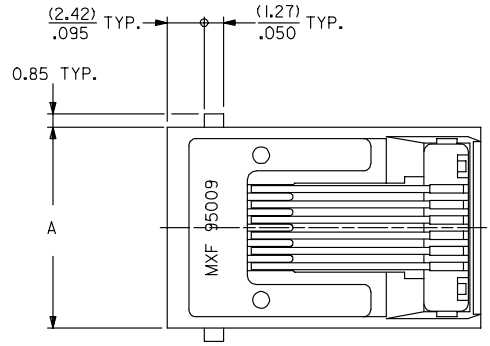
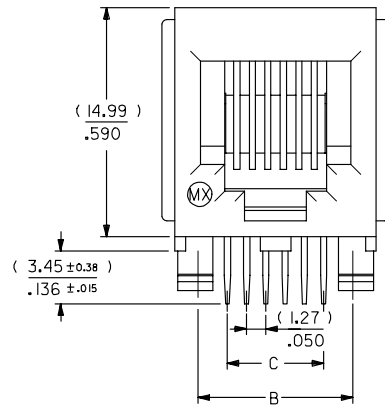
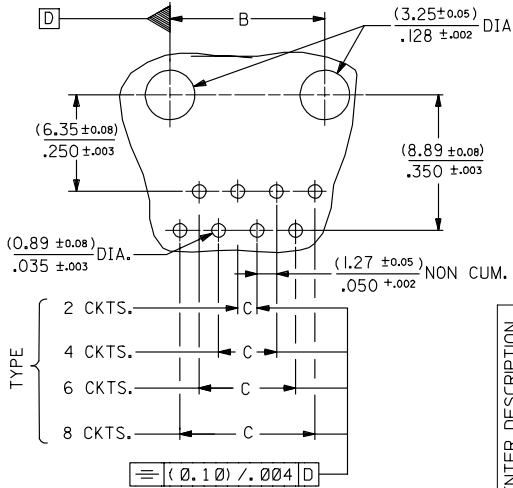
**NOTES :**

- 1- MATERIAL : POLYESTER FIBER GLASS FILED 94-V-0  
COLOR BLACK .
- TERMINAL : PHOSPHOR BRONZE .
- PLATINGS : FINISH 2
- POST PLATE (0.00127-0.00152)/.000050-.000060  
GOLD IN CONTACT AREA .  
(0.00190)/.000075 MIN. PURE TIN IN TAIL AREA BOTH  
OVER (0.00127)/.000050 MIN. NICKEL OVERALL .



- 2- PC BOARD THICKNESS : (1.57) / .062 .
- 3- JACK FOR MATING WITH F.C.C. 68 PLUGS 90075 MOLEX SERIES .
- 4- PRODUCT SPECIFICATION PS-95009 .
- 5- APPLICATION SPECIFICATION AS-95001 .
- 6- PACKAGING SPECIFICATION PK-95029 .

**MOUNTING HOLE PATTERNS**  
(SEE FROM COMPONENT SIDE)



ENTER DESCRIPTION IEC NO. MG2005-0155 DRAWN BY: SEBASTI 2004/11/12 CHECKED BY: CARBET 2004/11/15 APPROVED BY: KNOLLER 2004/11/15 REV	QUALITY SYMBOLS	GENERAL TOLERANCES (UNLESS SPECIFIED) <table border="1"> <tr> <th></th> <th>mm</th> <th>INCH</th> </tr> <tr> <td>4 PLACES</td> <td>± .---</td> <td>± .---</td> </tr> <tr> <td>3 PLACES</td> <td>± .---</td> <td>± .010</td> </tr> <tr> <td>2 PLACES</td> <td>± 0.25</td> <td>± .014</td> </tr> <tr> <td>1 PLACE</td> <td>± 0.35</td> <td>± .---</td> </tr> </table> ANGULAR ±1/2°		mm	INCH	4 PLACES	± .---	± .---	3 PLACES	± .---	± .010	2 PLACES	± 0.25	± .014	1 PLACE	± 0.35	± .---	DIMENSION STYLE MM/IN DRAWN BY: DP DATE: 86/10/23 CHECKED BY: _____ DATE: _____ APPROVED BY: _____ DATE: _____	SCALE: 4:1 DESIGN UNITS: METRIC THIRD ANGLE PROJECTION
			mm	INCH															
	4 PLACES		± .---	± .---															
	3 PLACES		± .---	± .010															
2 PLACES	± 0.25	± .014																	
1 PLACE	± 0.35	± .---																	
DRAFT WHERE APPLICABLE MUST REMAIN WITHIN DIMENSIONS	MATERIAL NO. SEE CHART SHT 2	TITLE FLUSH MOUNT RIGHT ANGLE MODULAR JACK ASSEMBLY THROUGH HOLE VERSION MOLEX INCORPORATED																	
SIZE: A3 THIS DRAWING CONTAINS INFORMATION THAT IS PROPRIETARY TO MOLEX INCORPORATED AND SHOULD NOT BE USED WITHOUT WRITTEN PERMISSION	DOCUMENT NO. SDA-95009-F	SHEET NO. 1 OF 4																	

9 8 7 6 5 4 3 2 1

10 9 8 7 6 5 4 3 2 1

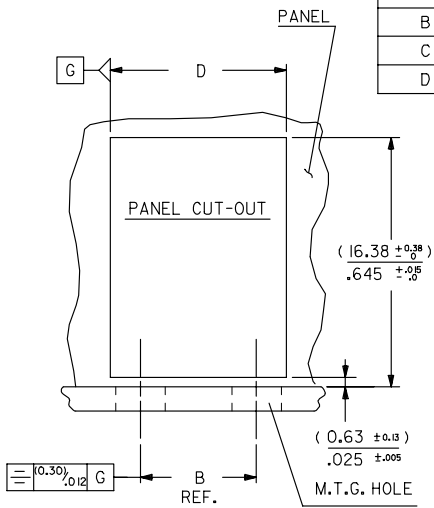
PART NUMBERS FOR JACK 1 RIB .

	TYPE	POS. 4	TOOLED	POS. 6	TOOLED	POS. 6	TOOLED	POS. 6	TOOLED	POS. 8	TOOLED	POS. 8	TOOLED	POS. 8	TOOLED
		4 CKTS.		2 CKTS.		4 CKTS.		6 CKTS.		4 CKTS.		6 CKTS.		8 CKTS.	
FINISH 2	MOLEX STANDARD	95009-2441	X	95009-2621		95009-2641	X	95009-2661	X	95009-2841		95009-2861	X	95009-2881	X

PART NUMBERS FOR JACK NO RIB.

	TYPE	POS. 4	TOOLED	POS. 6	TOOLED	POS. 6	TOOLED	POS. 6	TOOLED	POS. 8	TOOLED	POS. 8	TOOLED	POS. 8	TOOLED
		4 CKTS.		2 CKTS.		4 CKTS.		6 CKTS.		4 CKTS.		6 CKTS.		8 CKTS.	
FINISH 2	MOLEX STANDARD	95009-2447	X	95009-2627		95009-2647	X	95009-2667	X	95009-2847		95009-2867	X	95009-2887	X

DIM.	TYPE	POS. 4	POS. 6		POS. 8			
		4 CKTS.	2 CKTS.	4 CKTS.	6 CKTS.	4 CKTS.	6 CKTS.	8 CKTS.
A		(11.18) / .440	(13.21) / .520	(13.21) / .520	(13.21) / .520	(15.24) / .600	(15.24) / .600	(15.24) / .600
B	(±0.10)/±.004	(7.62) / .300	(10.16) / .400	(10.16) / .400	(10.16) / .400	(11.43) / .450	(11.43) / .450	(11.43) / .450
C	(±0.10)/±.004	(3.81) / .150	(1.27) / .050	(3.81) / .150	(6.35) / .250	(3.81) / .150	(6.35) / .250	(8.89) / .350
D	(±0.38)/±.05	(11.56) / .455	(13.59) / .535	(13.59) / .535	(13.59) / .535	(15.62) / .615	(15.62) / .615	(15.62) / .615



ENTER DESCRIPTION EC NO. MG2005-0155 DRAWN BY SEBASTI CHECKED BY CARBET APPROVED BY KNOLLER 2004/11/12 2004/11/15 2004/11/15	QUALITY SYMBOLS	GENERAL TOLERANCES (UNLESS SPECIFIED)	DIMENSION STYLE MM/IN	SCALE 4:1	DESIGN UNITS METRIC	THIRD ANGLE PROJECTION
	▽=0	4 PLACES ± --- ± ---	mm INCH	DRAWN BY DP	DATE 87/04/22	TITLE
	▽=0	3 PLACES ± --- ±.010		CHECKED BY	DATE	FLUSH MOUNT RIGHT ANGLE MODULAR JACK ASSEMBLY THROUGH HOLE VERSION
		2 PLACES ± 0.25 ±.014		APPROVED BY	DATE	MOLEX INCORPORATED
	1 PLACE ± 0.35 ± ---	ANGULAR ±1/2°				
		DRAFT WHERE APPLICABLE MUST REMAIN WITHIN DIMENSIONS	MATERIAL NO. SEE CHART	DOCUMENT NO. SDA-95009-F	SHEET NO. 2 OF 4	
			THIS DRAWING CONTAINS INFORMATION THAT IS PROPRIETARY TO MOLEX INCORPORATED AND SHOULD NOT BE USED WITHOUT WRITTEN PERMISSION			

9 8 7 6 5 4 3 2 1