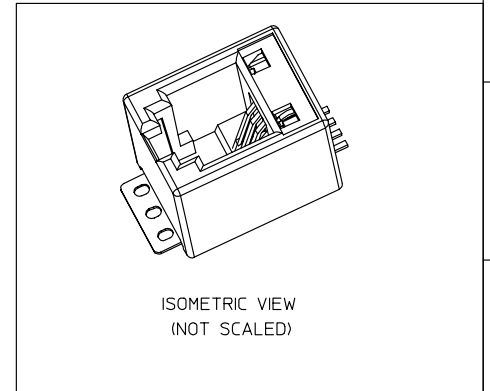
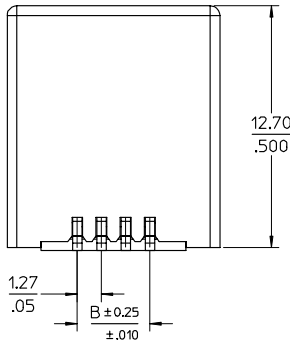


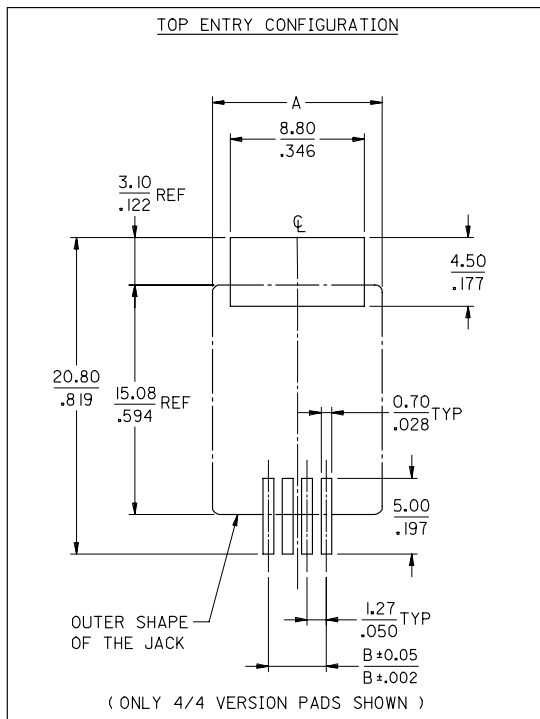
NOTES:

- 1- MATERIAL:
 - HOUSING:LCP GLASS FILLED UL 94-V0, COLOUR BLACK,
 - TERMINAL: BRASS PLATED WITH: 0.00127/.000050 MIN GOLD IN CONTACT AREA, 0.00190/.000075 MIN PURE TIN IN TAIL AREA, BOTH OVER 0.00127/.000050 MIN NICKEL OVERALL.
- 2- JACK FOR MATING WITH F.C.C.68 PLUGS (MOLEX 90075 SERIES).
- 3- PRODUCT SPECIFICATION: PS-85513-002.
- 4- PACKAGING SPECIFICATION (SEE CHART SHEET2):
 - PK-85513-001 SHEET 3 (BLISTER ON REEL 13')
 - PK-85513-001 SHEET 1 (BLISTER ON REEL 15')
 - PK-85513-001 SHEET 2 (BLISTER ON REEL 22')
- 5- FLAT SURFACE ON BOTH SIDES FOR PICK AND PLACE PURPOSE
- 6- COPLANARITY OF LEADS AND TABS: 0.10/.004 MAX
- 7- SEE RECOMMENDED PCB LAYOUT ON SHEET 2
- 8- FOR DRAWING PURPOSE, ONLY 4/4 VERSION SHOWN.
- 9- MANUFACTURING I.D CAN BE EITHER MXF,MG OR MXI.
- 10- APPLICATION SPEC AS-85513-001



MODIFIED MATERIAL. EC NO: E2007-0716 DRW:DBYRNES 2007/02/15 CHKD: CHIKO 2007/02/15 APPR:EOMAHONY 2007/02/15 DESCRIPTION	QUALITY SYMBOLS	GENERAL TOLERANCES (UNLESS SPECIFIED)	DIMENSION STYLE	SCALE	DESIGN UNITS	THIRD ANGLE PROJECTION																		
	$\nabla=0$ $\nabla=0$	<table border="1"> <thead> <tr> <th></th> <th>mm</th> <th>INCH</th> </tr> </thead> <tbody> <tr> <td>4 PLACES</td> <td>± .006</td> <td>± .0002</td> </tr> <tr> <td>3 PLACES</td> <td>± .008</td> <td>± .0003</td> </tr> <tr> <td>2 PLACES</td> <td>± 0.15</td> <td>± .010</td> </tr> <tr> <td>1 PLACE</td> <td>± 0.25</td> <td>± .010</td> </tr> <tr> <td colspan="3">ANGULAR ± 2 °</td> </tr> </tbody> </table>		mm	INCH	4 PLACES	± .006	± .0002	3 PLACES	± .008	± .0003	2 PLACES	± 0.15	± .010	1 PLACE	± 0.25	± .010	ANGULAR ± 2 °			MM/IN	5:1	METRIC	
		mm	INCH																					
	4 PLACES	± .006	± .0002																					
3 PLACES	± .008	± .0003																						
2 PLACES	± 0.15	± .010																						
1 PLACE	± 0.25	± .010																						
ANGULAR ± 2 °																								
	DRAWN BY	DATE	TITLE																					
	DBYRNES	2006/08/17	LOW PROFILE TOP ENTRY TRUE SMT JACK WITH P&P SURFACE(SHORT VERSION)																					
	CHECKED BY	DATE	MOLEX MOLEX INCORPORATED																					
	EOMAHONY	2006/08/17																						
	APPROVED BY	DATE																						
	EOMAHONY	2006/08/17																						
	MATERIAL NO.	DOCUMENT NO.	SHEET NO.																					
			1 OF 2																					
	DRAFT WHERE APPLICABLE MUST REMAIN WITHIN DIMENSIONS		SEE CHART		SD-85513-010																			
	THIS DRAWING CONTAINS INFORMATION THAT IS PROPRIETARY TO MOLEX INCORPORATED AND SHOULD NOT BE USED WITHOUT WRITTEN PERMISSION																							

RECOMMENDED PCB LAYOUTS
(SEE FROM COMPONENT SIDE)



PART. NO.	HOUSING SIZE	LOADED CKTS	TOOLED	A	B	PACKAGING	PACKAGING SPEC.
85513-5013			YES			BLISTER ON REEL 13*	PK-85513-001 SHEET 3
85513-5001	8	8	YES	15.24 .600	8.89 .350	BLISTER ON REEL 15*	PK-85513-001 SHEET 1
85513-5009			YES			BLISTER ON REEL 22*	PK-85513-001 SHEET 2
85513-5014			YES			BLISTER ON REEL 13*	PK-85513-001 SHEET 3
85513-5002	6	6	YES	13.21 .520	6.35 .250	BLISTER ON REEL 15*	PK-85513-001 SHEET 1
85513-5010			YES			BLISTER ON REEL 22*	PK-85513-001 SHEET 2
85513-5015			YES			BLISTER ON REEL 13*	PK-85513-001 SHEET 3
85513-5003	6	4	YES	13.21 .520	3.81 .150	BLISTER ON REEL 15*	PK-85513-001 SHEET 1
85513-5011			YES			BLISTER ON REEL 22*	PK-85513-001 SHEET 2
85513-5016			YES			BLISTER ON REEL 13*	PK-85513-001 SHEET 3
85513-5004	4	4	YES	11.18 .440	3.81 .150	BLISTER ON REEL 15*	PK-85513-001 SHEET 1
85513-5012			YES			BLISTER ON REEL 22*	PK-85513-001 SHEET 2

SEE SHEET 1 EC NO: E2007-0716 DRAWN BY DBYRNES CHKD: CHIKO APPR: EOMAHONY	DESCRIPTION 2007/02/15 2007/02/15 2007/02/15	QUALITY SYMBOLS	GENERAL TOLERANCES (UNLESS SPECIFIED)	DIMENSION STYLE	SCALE	DESIGN UNITS	THIRD ANGLE PROJECTION																
		$\nabla=0$ $\sphericalangle=0$	<table border="1"> <tr> <th></th> <th>MM</th> <th>INCH</th> </tr> <tr> <td>4 PLACES</td> <td>± .005</td> <td>± .0006</td> </tr> <tr> <td>3 PLACES</td> <td>± .005</td> <td>± .0006</td> </tr> <tr> <td>2 PLACES</td> <td>± 0.15</td> <td>± .010</td> </tr> <tr> <td>1 PLACE</td> <td>± 0.25</td> <td>± .010</td> </tr> <tr> <td>ANGULAR</td> <td colspan="2">± 2 °</td> </tr> </table>		MM	INCH	4 PLACES	± .005	± .0006	3 PLACES	± .005	± .0006	2 PLACES	± 0.15	± .010	1 PLACE	± 0.25	± .010	ANGULAR	± 2 °		MM/IN	1:1
	MM	INCH																					
4 PLACES	± .005	± .0006																					
3 PLACES	± .005	± .0006																					
2 PLACES	± 0.15	± .010																					
1 PLACE	± 0.25	± .010																					
ANGULAR	± 2 °																						
DRAFT WHERE APPLICABLE MUST REMAIN WITHIN DIMENSIONS			SIZE A3 THIS DRAWING CONTAINS INFORMATION THAT IS PROPRIETARY TO MOLEX INCORPORATED AND SHOULD NOT BE USED WITHOUT WRITTEN PERMISSION		TITLE LOW PROFILE TOP ENTRY TRUE SMT JACK WITH P&P SURFACE(SHORT VERSION) MOLEX MOLEX INCORPORATED																		