

**NOTES:**

**1- MATERIAL:**

HOUSING: LCP GLASS FILLED UL 94V0 COLOUR: BLACK  
 TERMINAL: BRASS PLATED WITH:  
 0.00127/.000050 MIN GOLD IN CONTACT AREA,  
 0.00190/.000075 MIN PURE TIN IN TAIL AREA,  
 BOTH OVER 0.00127/.000050 MIN NICKEL OVERALL.  
 SOLDER TABS: BRASS PLATED WITH 0.0020/.000078 MIN TIN.

2- JACK FOR MATING WITH F.C.C.68 PLUGS.  
 (MOLEX 90075 SERIES).

3- PRODUCT SPECIFICATION: MOLEX PS-85502-001

4- POLYIMIDE ADHESIVE TAPE FOR PICK & PLACE SURFACE.  
 THICKNESS: 125 μm/4921 μ"

5- PACKAGING SPECIFICATION: MOLEX PK-85502.  
 (BLISTER PACKAGING).

6- COPLANARITY OF SIGNAL LEADS: 0.10/.004

7- SEE DIMENSIONS IN CHART ON SHEET 2.

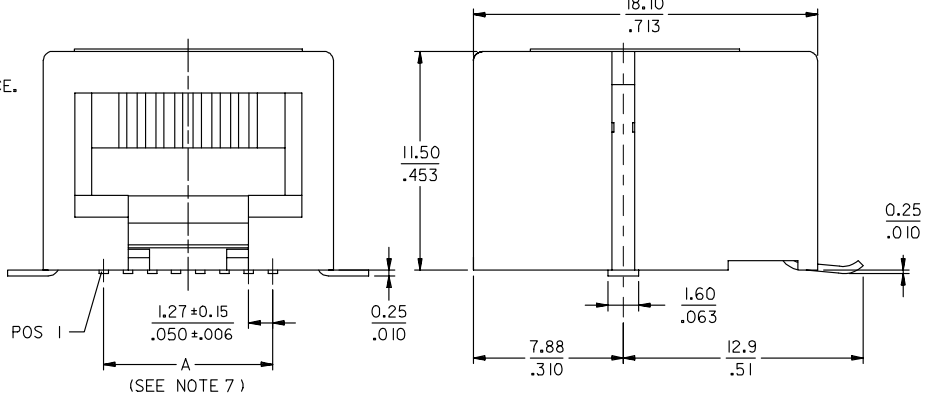
8- MANUFACTURING I.D. CAN BE EITHER MG, MXF OR MXI.

9- APPLICATION SPECIFICATION: AS-85513-001

SEE NOTE 4

(SEE NOTE 7) B

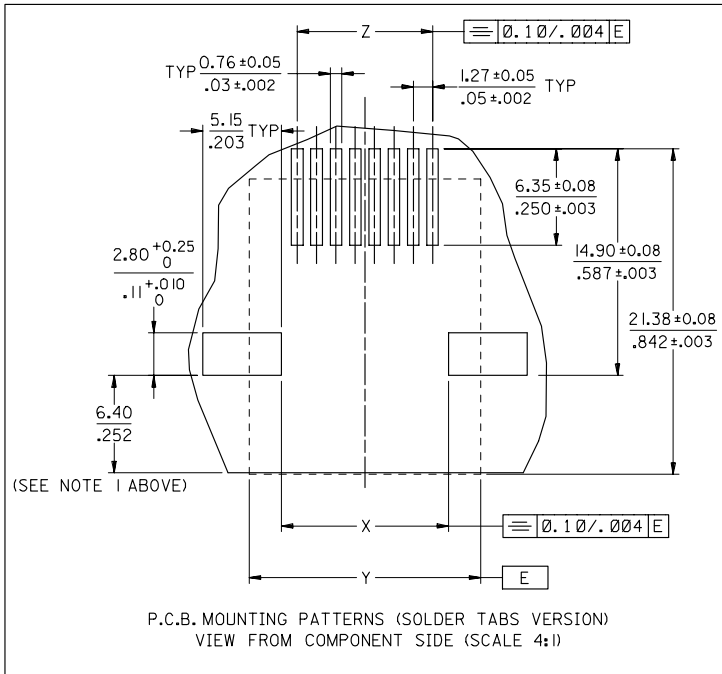
NOTE 8.



MODIFIED MATERIAL EC NO: E2007-0717 DRAWN BY: RINES CHKD: 2007/02/15 APPR: EOMAHONY 2007/02/15	QUALITY SYMBOLS ▽=0 ▽=0	GENERAL TOLERANCES (UNLESS SPECIFIED)		DIMENSION STYLE MM/IN		SCALE 5:1	DESIGN UNITS METRIC	THIRD ANGLE PROJECTION
		4 PLACES ± --- ± --- 3 PLACES ± --- ± .010 2 PLACES ± 0.25 ± .014 1 PLACE ± 0.35 ± --- ANGULAR ± 2 °	DRAWN BY DB DATE 2006/06/12	CHECKED BY EOMAHONY DATE 2006/06/15	APPROVED BY EOMAHONY DATE 2006/06/15	TITLE R/A LOW PROFILE TRUE SMT 4,6 & 8 CONTACTS PC JACK WITH SIDE SOLDER TABS	MATERIAL NO. SEE CHART SHT 2	DOCUMENT NO. SD-85502-101
DRAFT WHERE APPLICABLE MUST REMAIN WITHIN DIMENSIONS		THIS DRAWING CONTAINS INFORMATION THAT IS PROPRIETARY TO MOLEX INCORPORATED AND SHOULD NOT BE USED WITHOUT WRITTEN PERMISSION						

10 9 8 7 6 5 4 3 2 1

NOTE 1: RECOMMENDED DISTANCE FROM THE PCB'S EDGE



PART NUMBERS FOR TRUE SMT JACK WITH SOLDER TABS						
HOUSING COLOR	POS 4	POS 6	POS 6	POS 8		
	4 CKTS	4 CKTS	6 CKTS	8 CKTS		
STANDARD VERSION	BLACK	85502-5005	85502-5006	85502-5007	85502-5008	

DIM	TYPE			
	POS 4	POS 6	POS 6	POS 8
A ± 0.15 / .006	3.81 / .150	3.81 / .150	6.35 / .250	8.89 / .350
B	11.18 / .440	13.21 / .520	13.21 / .520	15.24 / .600
C (REF)	8.50 / .335	8.50 / .335	8.50 / .335	12.00 / .472
D ± 0.35 / .014	14.13 / .556	16.16 / .636	16.16 / .636	18.19 / .716
X ± 0.10 / .004	6.94 / .273	8.97 / .353	8.97 / .353	11.00 / .433
Y (REF)	11.18 / .440	13.21 / .520	13.21 / .520	15.24 / .600
Z ± 0.05 / .002	3.81 / .150	3.81 / .150	6.35 / .250	8.89 / .350

SEE SHEET 1 EC NO: E2007-0717 DRAWN BY: RINES CHKD: CHIKO APPR: EOMAHONY 2007/02/15 2007/02/15 2007/02/15	QUALITY SYMBOLS ▽=0 ▽=0	GENERAL TOLERANCES (UNLESS SPECIFIED)	DIMENSION STYLE MM/IN	SCALE 5:1	DESIGN UNITS METRIC	THIRD ANGLE PROJECTION		
		4 PLACES ± --- ± --- 3 PLACES ± --- ± .010 2 PLACES ± 0.25 ± .014 1 PLACE ± 0.35 ± --- ANGULAR ± 2 °	DRAWN BY DB DATE 2006/06/12	CHECKED BY EOMAHONY DATE 2006/06/15	APPROVED BY EOMAHONY DATE 2006/06/15	TITLE R/A LOW PROFILE TRUE SMT 4,6 & 8 CONTACTS PC JACK WITH SIDE SOLDER TABS	MOLEX MOLEX INCORPORATED	MATERIAL NO. SEE CHART
DRAFT WHERE APPLICABLE MUST REMAIN WITHIN DIMENSIONS		THIS DRAWING CONTAINS INFORMATION THAT IS PROPRIETARY TO MOLEX INCORPORATED AND SHOULD NOT BE USED WITHOUT WRITTEN PERMISSION						

9 8 7 6 5 4 3 2 1