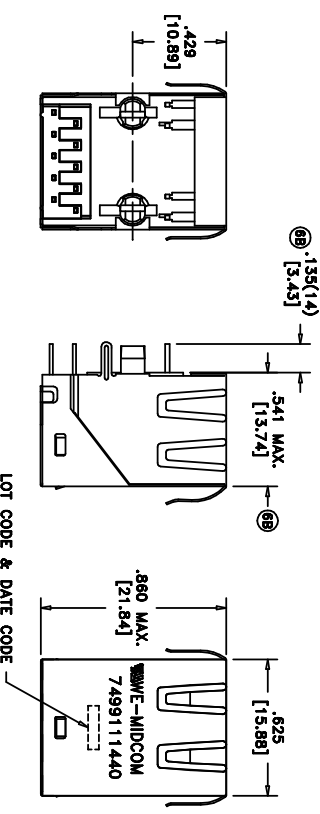
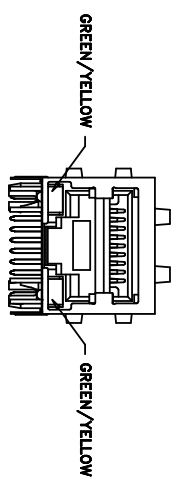


CUSTOMER TERMINAL	ROHS	LEAD(Pb)-FREE
Sn100%	Yes	Yes

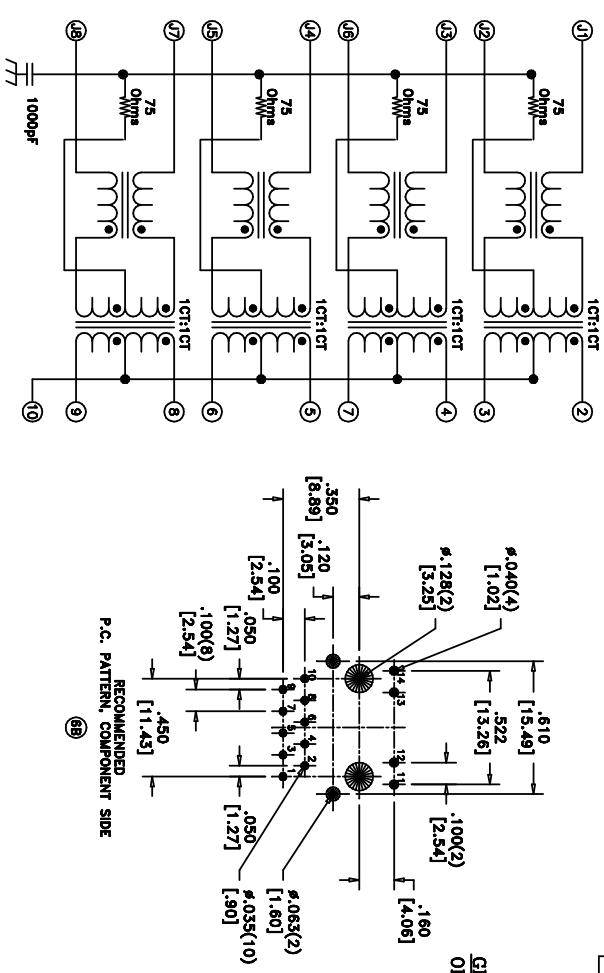


LOT CODE & DATE CODE

ELECTRICAL SPECIFICATIONS @ 25°C unless otherwise noted:

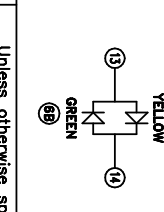
PARAMETER	TEST CONDITIONS	VALUE
INDUCTANCE	J1-J2 100KHz, 100mVAC, BrmADC, Lp	350nH min.
INDUCTANCE	J3-J6 100KHz, 100mVAC, BrmADC, Lp	350nH min.
INDUCTANCE	J4-J5 100KHz, 100mVAC, BrmADC, Lp	350nH min.
INDUCTANCE	J7-J8 100KHz, 100mVAC, BrmADC, Lp	350nH min.
DIELECTRIC	J1-shld tie(J1 thru J8)	1500Vrms, 1 minute
TURNS RATIO	Per Schematic	-
INSERTION LOSS	1M - 100MHz	-1.0dB max.
RETURN LOSS	1M - 40MHz	-18dB min.
RETURN LOSS	40M - 60MHz	-14dB min.
RETURN LOSS	60M - 80MHz	-12dB min.
RETURN LOSS	80M - 100MHz	-10dB min.
CROSSTALK	1M - 100MHz	-30dB min.
COMMON MODE REJECTION	1M - 100MHz	-35dB min.
DCMR	1M - 100MHz	-33dB min.

GENERAL SPECIFICATIONS:
OPERATING TEMPERATURE RANGE: -40°C to +85°C.



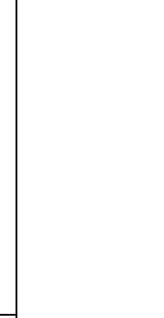
RECOMMENDED P.C. PATTERN, COMPONENT SIDE

REV.	DATE
6A	2/08
6B	7/08



Unless otherwise specified:
Tolerances: ±1/64
Fractions: ±1/64
Decimals: ±.010[.25]
Angles: ±1°

DRAWING TITLE
TRANSFORMER
Gigabit



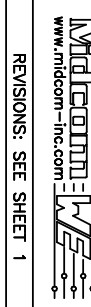
DRAWING NO.
7499111440

AGENCY NUMBER	UL60950-1
AGENCY NUMBER	E205830

Method: Tube
PKG-0524
www.midcom-inc.com

Unless otherwise specified:
Tolerances: ±1/64
Fractions: ±1/64
Decimals: ±.010[.25]
Angles: ±1°
This drawing is dual dimensioned. Dimensions in brackets are in millimeters.

DRAWING TITLE
TRANSFORMER
Gigabit



DRAWING NO.
7499111440

AGENCY NUMBER	UL60950-1
AGENCY NUMBER	E205830