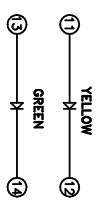
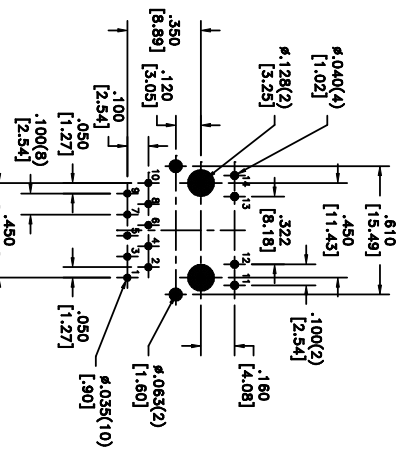
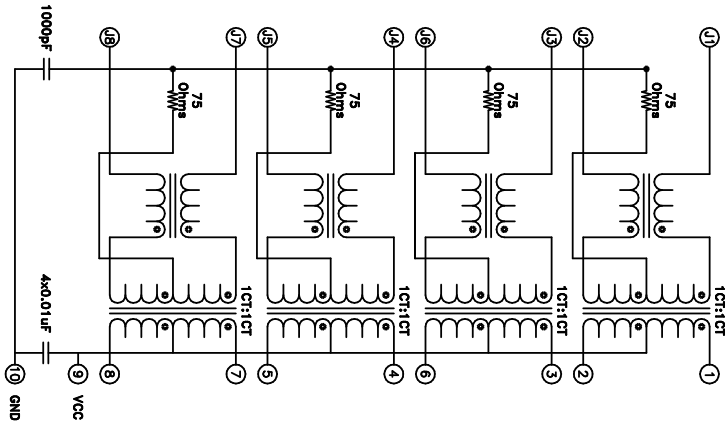
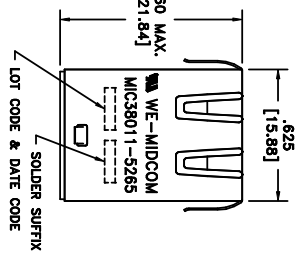
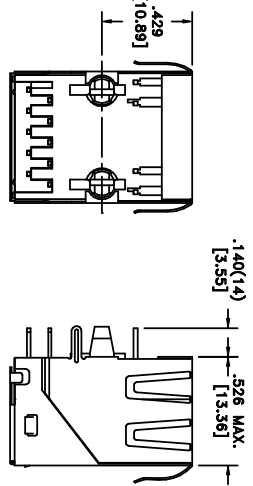
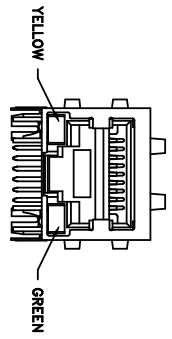


| | | | |
|---------------|-------------------|------|---------------|
| SOLDER SUFFIX | CUSTOMER TERMINAL | ROHS | LEAD(Pb)-FREE |
| LF3 | SH100% | Yes | Yes |



RECOMMENDED P.C. PATTERN, COMPONENT SIDE

ELECTRICAL SPECIFICATIONS @ 25°C unless otherwise noted:

INDUCTANCE: 350nH min., 100kHz, 100mV, 8mADC, J1-J2; J3-J6; J4-J5; J7-J8, Lp.

DIELECTRIC RATING: 1500Vrms for 1 minute between P1-J1.

TURNS RATIO/POLARITY: Per Schematic.

INSERTION LOSS: -1.0dB max., 1MHz - 100MHz.

RETURN LOSS:

- 18dB min., 1M - 40MHz.
- 14dB min., 40M - 60MHz.
- 12dB min., 60M - 80MHz.
- 10dB min., 80M - 100MHz.

CROSSTALK: -30dB min., 1MHz - 100MHz.

COMMON MODE REJECTION: -35dB min., 1MHz - 100MHz.

OPERATING TEMPERATURE RANGE: 0°C to +70°C.

| | | | | | |
|---|--|--|--|----------------------|--|
| Unless otherwise specified: Tolerances: ±1/64 Angles: ±1° Fractions: ±1/64 Decimals: ±0.01[.25] This drawing is dual dimensioned. Dimensions in brackets are in millimeters. | | DRAWING TITLE TRANSFORMER Gigabit | | eSos p/n: 7499111121 | |
| AGENCY NUMBER UL60950-1 E205930 | | DRAWING NO. MIC38011-5265T-LP | | REV. 8/08 | |
| REVISIONS: SEE SHEET 1 | | SCALE --- | | SHEET 2 OF 6 | |