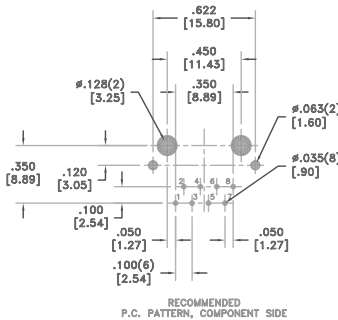
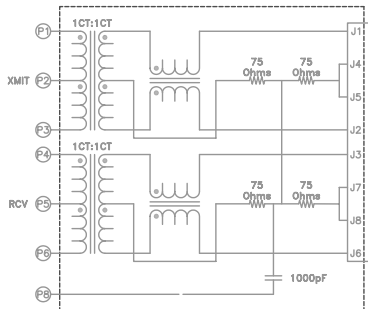
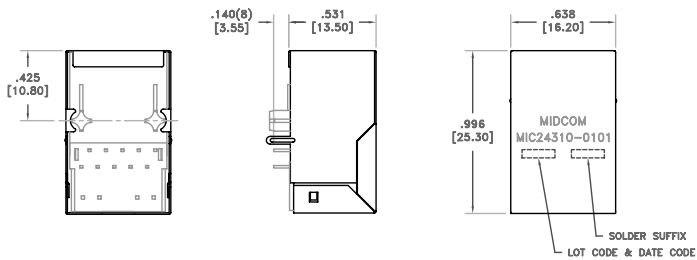
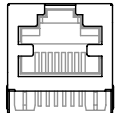


SOLDER SUFFIX	CUSTOMER TERMINAL	RoHS	LEAD(Pb)-FREE
LF3	Sn100%	Yes	Yes



**ELECTRICAL SPECIFICATIONS @ 25°C unless otherwise noted:**

- INDUCTANCE: 350uH min., 100kHz, 100mV, 8mADC, J1-J2; J3-J6, Lp.
- DIELECTRIC RATING: 1500Vrms for 1 minute between P1-J1(tie P1+P4).
- URNS RATIO/POLARITY: (P1-P3):(J1-J2) = 1:1,  $\pm 2\%$ .  
(P4-P6):(J3-J6) = 1:1,  $\pm 2\%$ .
- INSERTION LOSS: -1.0dB max., 1MHz - 100MHz.
- RETURN LOSS: -18dB min., 1M - 30MHz.  
-16dB min., 30M - 45MHz.  
-14dB min., 45M - 60MHz.  
-12dB min., 60M - 80MHz.
- CROSSTALK: -35dB min., 1MHz - 100MHz.
- COMMON MODE REJECTION: -35dB min., 1MHz - 100MHz.
- OPERATING TEMPERATURE RANGE: 0°C to +70°C.

Midcom, Inc. Watertown, SD USA Toll Free: 800-643-2661 Fax: 605-886-4486	Unless otherwise specified: Tolerances: Fractions: $\pm 1/64$ Angles: $\pm 1^\circ$ Decimals: $\pm 0.10$ [0.25mm]	DRAWING TITLE	Midcom	DRAWING NO.	REV.
	This drawing is dual dimensioned. Dimensions in brackets are in millimeters.	TRANSFORMER 749 901 000 1		MIC24310-0101T-LF3	
			REVISIONS: SEE SHEET 1	SCALE ---	SHEET 2 OF 6